



*Blackhawk*TM

BY **PROTO**[®]

2011-2012 MECHANICS TOOLS CATALOG

Blackhawk™

BY PROTO®

When you're working late and facing a tight deadline, it all comes down to two things: you and the tool in your hand.

Since 1945, Blackhawk has manufactured the industrial tools that mechanics depend on in tough situations. Now, as a Proto® line, we've taken our commitment to reliability even further, broadening our catalog of tools into a comprehensive, competitively priced line.



In addition to being reliable, the Blackhawk™ by Proto® line is also complete. Currently, our line includes more than 1,500 items that cover most automotive, light industrial and maintenance applications.

Earlier this year, Blackhawk™ by Proto® went through an extensive line refresh to give you, the professional, exactly what you were asking for. The expansion gives users more choice and flexibility through expanded ranges of available sizes and upgraded features. All Master Sets have been remixed and feature many of the new Blackhawk™ by Proto® products including the pear head ratchets, screwdrivers, pliers and impact sockets. The new line also introduces new products, never offered before such as the 4Box™ ratcheting wrenches, obstacle wrench sets, and locking extensions.

Blackhawk™ by Proto® tools are tools you can count on to work when all that seems to be working is you.





TABLE OF CONTENTS

WARRANTY	2
MASTER TOOL SETS	3
GENERAL PURPOSE TOOL KITS	81
TOOL STORAGE	106
SOCKETS & ACCESSORIES	113
WRENCHES.....	171
IMPACT SOCKETS & ACCESSORIES	201
SCREWDRIVERS, NUTDRIVERS, HEX KEYS & BITS	221
PLIERS.....	233
STRIKING & STRUCK	243
SPECIALTY TOOLS	249
INDEX.....	256



WARRANTY AND DISCLAIMER

Limited Lifetime Warranty:

Except as specified below, Proto® Industrial Tools, a business unit of Stanley Black & Decker, Inc. ("Proto®") warrants any of its Proto® branded products, including products sold by the Proto® Industrial Tools that are marketed as products "by Proto®," for the useful life of the product against defects in material or workmanship.

Torque Wrenches, Torque Multipliers and Torque Testers are warranted for one year, except for calibration which is warranted for 90 days from date of purchase. Torque products can be repaired and recalibrated for a nominal charge at the Proto® Authorized repair center located at 2195 East View Parkway, Ste 103, Conyers, GA, 30013 or any other such location as may be designated by Proto®. Defects in material or workmanship will be repaired or replaced at no cost: all other repairs will be at a nominal charge. Torque products are precise measuring devices that require care in handling. Proto® recommends that all torque wrenches be recalibrated once a year or more, depending on usage.

Disclaimers and Limitations:

This limited lifetime warranty:

- Is subject to the disclaimers and limitations described below and is in lieu of all other warranties, express or implied, including the implied warranty of merchantability or fitness for a particular purpose.
- Gives you specific legal rights. You may also have other rights that vary by state.
- Does not extend to products that have been improperly used, altered, or repaired by any entity other than Proto®.
- Does not cover the following categories of products: universal sockets, universal joints, thin-wall impact sockets, adapters, and retaining rings.
- Does not cover damage due to ordinary wear and tear.
- Does not extend to any claim for incidental, consequential, or special damages. Some states do not allow the exclusion of limitation of incidental or consequential damages, so this exclusion may not apply to you.
- Proto® makes no representations beyond those contained in this Limited Lifetime Warranty.
- Employees and agents of Proto® have no authority to make representations of any sort beyond those contained in this Limited Lifetime Warranty.

Exclusive Remedy and Claim Procedure:

- Distributors of record must act as a return agent.
- The exclusive remedy under this Limited Lifetime Warranty for products determined to be deficient in materials or workmanship by Proto® is repair or replacement with a reconditioned tool of equal value by Proto®.
- The selected remedy is at the sole discretion of Proto®. In no event shall Proto® be responsible for more than the original purchase price of the product.

Questions:

To ask questions about, or to make a claim under, this Limited Lifetime Warranty, contact your Proto® Territory Manager.

11/10

Products in this catalog may not be available in all countries.

Blackhawk™ by Proto® tools meet applicable industry standards.

Blackhawk™ by Proto® reserves the right to claim exceptions to specific requirements within any given standard.

1170 PIECE MASTER TOOL SET

Item #: 971170

636 - Sockets & Accessories

208 - Miscellaneous Tools

26 - Pliers

51 - Screwdrivers

28 - Striking & Struck

221 - Wrenches

• Largest Set Offering

• 1/4", 3/8", 1/2", & 3/4" Drives with Ratchets

• Chrome and Impact Sockets

• Standard and Metric Sizing

• Wrenches: Ignition; Open-Ended; Flare Nut; Combination – Fixed, Ratcheting, XL Combination Ratcheting, Locking Flex Ratcheting, Reversible Ratcheting, Stubby Reversible Ratcheting, Jumbo Reversible Ratcheting; Double Box-End – Fixed, Reversible Ratcheting, Torx® Reversible Ratcheting; Ratcheting 4Box™; Adjustable

• Weight (lbs): 388.43



Blackhawk
BY PROTO

Blackhawk™ by Proto® not available in all countries.

MASTER SETS





1170 PIECE MASTER TOOL SET, *continued*

Item #: 971170

Contents	Description
10-049	Pocket Knife
10-099	Utility Knife
11-040	Blades (Qty. 10)
11-921	5 Heavy-Duty Utility Blades
30010A	12 Point Standard Inch Socket 3/8" Drive 5/16"
30012	12 Point Standard Inch Socket 3/8" Drive 3/8"
30014	12 Point Standard Inch Socket 3/8" Drive 7/16"
30016	12 Point Standard Inch Socket 3/8" Drive 1/2"
30018	12 Point Standard Inch Socket 3/8" Drive 9/16"
30020	12 Point Standard Inch Socket 3/8" Drive 5/8"
30022	12 Point Standard Inch Socket 3/8" Drive 11/16"
30024	12 Point Standard Inch Socket 3/8" Drive 3/4"
30026	12 Point Standard Inch Socket 3/8" Drive 13/16"
30028	12 Point Standard Inch Socket 3/8" Drive 7/8"
300301	12 Point Standard Inch Socket 3/8" Drive 15/16"
300321	12 Point Standard Inch Socket 3/8" Drive 1"
30209HAM	6 Point Universal Metric Socket 3/8" Drive 9 mm
30210HAM	6 Point Universal Metric Socket 3/8" Drive 10 mm
30211HAM	6 Point Universal Metric Socket 3/8" Drive 11 mm
30212HA	6 Point Universal Inch Socket 3/8" Drive 3/8"
30212HAM	6 Point Universal Metric Socket 3/8" Drive 12 mm
30213HAM	6 Point Universal Metric Socket 3/8" Drive 13 mm
30214HA	6 Point Universal Inch Socket 3/8" Drive 7/16"
30214HAM	6 Point Universal Metric Socket 3/8" Drive 14 mm
30215HAM	6 Point Universal Metric Socket 3/8" Drive 15 mm
30216HA	6 Point Universal Inch Socket 3/8" Drive 1/2"
30218HA	6 Point Universal Inch Socket 3/8" Drive 9/16"
30220HA	6 Point Universal Inch Socket 3/8" Drive 5/8"
30222HA	6 Point Universal Inch Socket 3/8" Drive 11/16"
30224HA	6 Point Universal Inch Socket 3/8" Drive 3/4"
30320SA	3/8" Drive Flex Spark Plug Socket
30326A	6 Point 3/8" Drive 13/16" Flex Socket
30412	12 Point Deep Inch Socket 3/8" Drive 3/8"
30414	12 Point Deep Inch Socket 3/8" Drive 7/16"
30416	12 Point Deep Inch Socket 3/8" Drive 1/2"
30418	12 Point Deep Inch Socket 3/8" Drive 9/16"
30420	12 Point Deep Inch Socket 3/8" Drive 5/8"
30422	12 Point Deep Inch Socket 3/8" Drive 11/16"
30424	12 Point Deep Inch Socket 3/8" Drive 3/4"
30426	12 Point Deep Inch Socket 3/8" Drive 13/16"
30428	12 Point Deep Inch Socket 3/8" Drive 7/8"
30430	12 Point Deep Inch Socket 3/8" Drive 15/16"
30432	12 Point Deep Inch Socket 3/8" Drive 1"
30608	6 Point Standard Inch Socket 3/8" Drive 1/4"
30612	6 Point Standard Inch Socket 3/8" Drive 3/8"
30614	6 Point Standard Inch Socket 3/8" Drive 7/16"
30616	6 Point Standard Inch Socket 3/8" Drive 1/2"
30618	6 Point Standard Inch Socket 3/8" Drive 9/16"
30620	6 Point Standard Inch Socket 3/8" Drive 5/8"
30622	6 Point Standard Inch Socket 3/8" Drive 11/16"
30624	6 Point Standard Inch Socket 3/8" Drive 3/4"
30626	6 Point Standard Inch Socket 3/8" Drive 13/16"

Contents	Description
30628	6 Point Standard Inch Socket 3/8" Drive 7/8"
30630	6 Point Standard Inch Socket 3/8" Drive 15/16"
30632	6 Point Standard Inch Socket 3/8" Drive 1"
31108	8 Point Standard Inch Socket 3/8" Drive 1/4"
31110	8 Point Standard Inch Socket 3/8" Drive 5/16"
31112	8 Point Standard Inch Socket 3/8" Drive 3/8"
31114	8 Point Standard Inch Socket 3/8" Drive 7/16"
31116	8 Point Standard Inch Socket 3/8" Drive 1/2"
3114	Ignition Open-End Wrench 13/64"
3116	Ignition Open-End Wrench 7/32"
3118	Ignition Open-End Wrench 15/64"
3120	Ignition Open-End Wrench 1/4"
3122	Ignition Open-End Wrench 17/64"
3124	Ignition Open-End Wrench 9/32"
3128	Ignition Open-End Wrench 5/16"
3130	Ignition Open-End Wrench 11/32"
3132	Ignition Open-End Wrench 3/8"
3134	Ignition Open-End Wrench 7/16"
32007M	6 Point Standard Metric Socket 3/8" Drive 7 mm
32008M	6 Point Standard Metric Socket 3/8" Drive 8 mm
32009M	6 Point Standard Metric Socket 3/8" Drive 9 mm
32010M	6 Point Standard Metric Socket 3/8" Drive 10 mm
32011M	6 Point Standard Metric Socket 3/8" Drive 11 mm
32012M	6 Point Standard Metric Socket 3/8" Drive 12 mm
32013M	6 Point Standard Metric Socket 3/8" Drive 13 mm
32014M	6 Point Standard Metric Socket 3/8" Drive 14 mm
32015M	6 Point Standard Metric Socket 3/8" Drive 15 mm
32016M	6 Point Standard Metric Socket 3/8" Drive 16 mm
32017M	6 Point Standard Metric Socket 3/8" Drive 17 mm
32018M	6 Point Standard Metric Socket 3/8" Drive 18 mm
32019M	6 Point Standard Metric Socket 3/8" Drive 19 mm
32020M	6 Point Standard Metric Socket 3/8" Drive 20 mm
32021M	6 Point Standard Metric Socket 3/8" Drive 21 mm
32022M	6 Point Standard Metric Socket 3/8" Drive 22 mm
34007M	12 Point Standard Metric Socket 3/8" Drive 7 mm
34008M	12 Point Standard Metric Socket 3/8" Drive 8 mm
34009M	12 Point Standard Metric Socket 3/8" Drive 9 mm
34010M	12 Point Standard Metric Socket 3/8" Drive 10 mm
34011M	12 Point Standard Metric Socket 3/8" Drive 11 mm
34012M	12 Point Standard Metric Socket 3/8" Drive 12 mm
34013M	12 Point Standard Metric Socket 3/8" Drive 13 mm
34014M	12 Point Standard Metric Socket 3/8" Drive 14 mm
34015M	12 Point Standard Metric Socket 3/8" Drive 15 mm
34016M	12 Point Standard Metric Socket 3/8" Drive 16 mm
34017M	12 Point Standard Metric Socket 3/8" Drive 17 mm
34018M	12 Point Standard Metric Socket 3/8" Drive 18 mm
34019M	12 Point Standard Metric Socket 3/8" Drive 19 mm
34020M	12 Point Standard Metric Socket 3/8" Drive 20 mm
34021M	12 Point Standard Inch Socket 3/8" Drive 21 mm
34022M	12 Point Standard Inch Socket 3/8" Drive 22 mm
34935B	3/8" Drive Round Flex Head Ratchet
34947B	3/8" Drive Round Head Reversible Ratchet



1170 PIECE MASTER TOOL SET, *continued*

Item #: 971170

Contents	Description
34948B	3/8" Drive Mini Flex Ratchet
34960	1/4" Drive 1/4" x 3/8" Adapter
34963	3/8" Drive 3/8" x 1/4" Adapter
34965	1/2" Drive 1/2" x 3/8" Adapter
34966	3/8" Drive 3/8" x 1/2" Adapter
34982	3/8" Drive Speeder Handle
34983	3/8" Drive Extension 19"
34984L	3/8" Drive Locking Extension 10"
34986B	3/8" Drive Flex Handle
34987L	3/8" Drive Locking Extension 6"
34988L	3/8" Drive Locking Extension 3"
34989	3/8" Drive Extension 1-3/4"
34993A	3/8" Drive Universal Joint
40112	12 Point Standard Inch Socket 1/2" Drive 3/8"
40114	12 Point Standard Inch Socket 1/2" Drive 7/16"
40116	12 Point Standard Inch Socket 1/2" Drive 1/2"
40118	12 Point Standard Inch Socket 1/2" Drive 9/16"
40120	12 Point Standard Inch Socket 1/2" Drive 5/8"
40122	12 Point Standard Inch Socket 1/2" Drive 11/16"
40124	12 Point Standard Inch Socket 1/2" Drive 3/4"
40126	12 Point Standard Inch Socket 1/2" Drive 13/16"
40128	12 Point Standard Inch Socket 1/2" Drive 7/8"
40130	12 Point Standard Inch Socket 1/2" Drive 15/16"
40132	12 Point Standard Inch Socket 1/2" Drive 1"
40134	12 Point Standard Inch Socket 1/2" Drive 1-1/16"
40136	12 Point Standard Inch Socket 1/2" Drive 1-1/8"
40138	12 Point Standard Inch Socket 1/2" Drive 1-3/16"
40140	12 Point Standard Inch Socket 1/2" Drive 1-1/4"
40144A	12 Point Standard Inch Socket 1/2" Drive 1-1/2"
4020P	Full Polish - Open-End Wrench Inch 1/4" x 5/16"
40316	12 Point Deep Inch Socket 1/2" Drive 1/2"
40318	12 Point Deep Inch Socket 1/2" Drive 9/16"
40320	12 Point Deep Inch Socket 1/2" Drive 5/8"
40320S	6 Point 1/2" Drive Spark Plug Socket 5/8"
40322	12 Point Deep Inch Socket 1/2" Drive 11/16"
40324	12 Point Deep Inch Socket 1/2" Drive 3/4"
40326	12 Point Deep Inch Socket 1/2" Drive 13/16"
40326S	6 Point 1/2" Drive Spark Plug Socket 13/16"
40328	12 Point Deep Inch Socket 1/2" Drive 7/8"
40330	12 Point Deep Inch Socket 1/2" Drive 15/16"
40332	12 Point Deep Inch Socket 1/2" Drive 1"
40334	12 Point Deep Inch Socket 1/2" Drive 1-1/16"
40336	12 Point Deep Inch Socket 1/2" Drive 1-1/8"
4033P	Full Polish - Open-End Wrench Inch 15/16" x 1"
40416	6 Point Deep Inch Socket 1/2" Drive 1/2"
40418	6 Point Deep Inch Socket 1/2" Drive 9/16"
40420	6 Point Deep Inch Socket 1/2" Drive 5/8"
40422	6 Point Deep Inch Socket 1/2" Drive 11/16"
40424	6 Point Deep Inch Socket 1/2" Drive 3/4"
40426	6 Point Deep Inch Socket 1/2" Drive 13/16"
40428	6 Point Deep Inch Socket 1/2" Drive 7/8"
40430	6 Point Deep Inch Socket 1/2" Drive 15/16"

Contents	Description
40432	6 Point Deep Inch Socket 1/2" Drive 1"
40434	6 Point Deep Inch Socket 1/2" Drive 1-1/16"
40436	6 Point Deep Inch Socket 1/2" Drive 1-1/8"
40612	6 Point Standard Inch Socket 1/2" Drive 3/8"
40614	6 Point Standard Inch Socket 1/2" Drive 7/16"
40616	6 Point Standard Inch Socket 1/2" Drive 1/2"
40618	6 Point Standard Inch Socket 1/2" Drive 9/16"
40620	6 Point Standard Inch Socket 1/2" Drive 5/8"
40622	6 Point Standard Inch Socket 1/2" Drive 11/16"
40624	6 Point Standard Inch Socket 1/2" Drive 3/4"
40626	6 Point Standard Inch Socket 1/2" Drive 13/16"
40628	6 Point Standard Inch Socket 1/2" Drive 7/8"
40630	6 Point Standard Inch Socket 1/2" Drive 15/16"
40632	6 Point Standard Inch Socket 1/2" Drive 1"
40634	6 Point Standard Inch Socket 1/2" Drive 1-1/16"
40636	6 Point Standard Inch Socket 1/2" Drive 1-1/8"
40640	6 Point Standard Inch Socket 1/2" Drive 1-1/4"
40642A	6 Point Standard Inch Socket 1/2" Drive 1-1/2"
42010M	6 Point Standard Metric Socket 1/2" Drive 10 mm
42011M	6 Point Standard Metric Socket 1/2" Drive 11 mm
42012M	6 Point Standard Metric Socket 1/2" Drive 12 mm
42013M	6 Point Standard Metric Socket 1/2" Drive 13 mm
42014M	6 Point Standard Metric Socket 1/2" Drive 14 mm
42015M	12 Point Standard Metric Socket 1/2" Drive 15 mm
42016M	12 Point Standard Metric Socket 1/2" Drive 16 mm
42017M	12 Point Standard Metric Socket 1/2" Drive 17 mm
42018M	12 Point Standard Metric Socket 1/2" Drive 18 mm
42019M	12 Point Standard Metric Socket 1/2" Drive 19 mm
42020M	12 Point Standard Metric Socket 1/2" Drive 20 mm
42021M	12 Point Standard Metric Socket 1/2" Drive 21 mm
42022M	12 Point Standard Metric Socket 1/2" Drive 22 mm
42023M	12 Point Standard Metric Socket 1/2" Drive 23 mm
42024M	12 Point Standard Metric Socket 1/2" Drive 24 mm
42025M	12 Point Standard Metric Socket 1/2" Drive 25 mm
42026M	12 Point Standard Metric Socket 1/2" Drive 26 mm
42027M	12 Point Standard Metric Socket 1/2" Drive 27 mm
42028M	12 Point Standard Metric Socket 1/2" Drive 28 mm
42030M	12 Point Standard Metric Socket 1/2" Drive 30 mm
42032M	12 Point Standard Metric Socket 1/2" Drive 32 mm
42036M	12 Point Standard Metric Socket 1/2" Drive 36 mm
43010M	12 Point Standard Metric Socket 1/2" Drive 10 mm
43011M	12 Point Standard Metric Socket 1/2" Drive 11 mm
43012M	12 Point Standard Metric Socket 1/2" Drive 12 mm
43013M	12 Point Standard Metric Socket 1/2" Drive 13 mm
43014M	12 Point Standard Metric Socket 1/2" Drive 14 mm
43015M	12 Point Standard Metric Socket 1/2" Drive 15 mm
43017M	6 Point Standard Metric Socket 1/2" Drive 17 mm
43019M	6 Point Standard Metric Socket 1/2" Drive 19 mm
43021M	6 Point Standard Metric Socket 1/2" Drive 21 mm
43022M	6 Point Standard Metric Socket 1/2" Drive 22 mm
43023M	6 Point Standard Metric Socket 1/2" Drive 23 mm
43024M	6 Point Standard Metric Socket 1/2" Drive 24 mm

MASTER SETS





1170 PIECE MASTER TOOL SET, *continued*

Item #: 971170

Contents	Description
43027M	6 Point Standard Metric Socket 1/2" Drive 27 mm
44010M	12 Point Deep Metric Socket 1/2" Drive 10 mm
44011M	12 Point Deep Metric Socket 1/2" Drive 11 mm
44012M	12 Point Deep Metric Socket 1/2" Drive 12 mm
44013M	12 Point Deep Metric Socket 1/2" Drive 13 mm
44014M	12 Point Deep Metric Socket 1/2" Drive 14 mm
44015M	12 Point Deep Metric Socket 1/2" Drive 15 mm
44016M	12 Point Deep Metric Socket 1/2" Drive 16 mm
44017M	12 Point Deep Metric Socket 1/2" Drive 17 mm
44018M	12 Point Deep Metric Socket 1/2" Drive 18 mm
44019M	12 Point Deep Metric Socket 1/2" Drive 19 mm
44020M	12 Point Deep Metric Socket 1/2" Drive 20 mm
44021M	12 Point Deep Metric Socket 1/2" Drive 21 mm
44022M	12 Point Deep Metric Socket 1/2" Drive 22 mm
44023M	12 Point Deep Metric Socket 1/2" Drive 23 mm
44024M	12 Point Deep Metric Socket 1/2" Drive 24 mm
44025M	12 Point Deep Metric Socket 1/2" Drive 25 mm
44026M	12 Point Deep Metric Socket 1/2" Drive 26 mm
44027M	12 Point Deep Metric Socket 1/2" Drive 27 mm
45010M	6 Point Deep Metric Socket 1/2" Drive 10 mm
45011M	6 Point Deep Metric Socket 1/2" Drive 11 mm
45012M	6 Point Deep Metric Socket 1/2" Drive 12 mm
45013M	6 Point Deep Metric Socket 1/2" Drive 13 mm
45014M	6 Point Deep Metric Socket 1/2" Drive 14 mm
45015M	6 Point Deep Metric Socket 1/2" Drive 15 mm
45016M	6 Point Deep Metric Socket 1/2" Drive 16 mm
45017M	6 Point Deep Metric Socket 1/2" Drive 17 mm
45018M	6 Point Deep Metric Socket 1/2" Drive 18 mm
45019M	6 Point Deep Metric Socket 1/2" Drive 19 mm
45020M	6 Point Deep Metric Socket 1/2" Drive 20 mm
45021M	6 Point Deep Metric Socket 1/2" Drive 21 mm
45022M	6 Point Deep Metric Socket 1/2" Drive 22 mm
45023M	6 Point Deep Metric Socket 1/2" Drive 23 mm
45024M	6 Point Deep Metric Socket 1/2" Drive 24 mm
45025M	6 Point Deep Metric Socket 1/2" Drive 25 mm
45026M	6 Point Deep Metric Socket 1/2" Drive 26 mm
45027M	6 Point Deep Metric Socket 1/2" Drive 27 mm
4723P	Full Polish - Open-End Wrench Inch 3/8" x 7/16"
4724P	Full Polish - Open-End Wrench Inch 7/16" x 1/2"
4725P	Full Polish - Open-End Wrench Inch 1/2" x 9/16"
4727P	Full Polish - Open-End Wrench Inch 5/8" x 11/16"
4728P	Full Polish - Open-End Wrench Inch 11/16" x 3/4"
4732P	Full Polish - Open-End Wrench Inch 13/16" x 7/8"
49964L	1/2" Drive Locking Extension 3"
49966L	1/2" Drive Locking Extension 6"
49972	1/2" Drive Extension - 19"
49976-2	1/2" Drive Universal Joint Impact Socket 3"
49978A	1/2" Drive Universal Joint
49979	1/2" Drive Drag Link Socket
49988B	1/2" Drive Flex Handle
49990	1/2" Drive Extension 10"
49991	3/4" Drive 3/4" x 1/2" Adapter

Contents	Description
49992	1/2" Drive Speeder Handle
60026A	12 Point Standard Inch Socket 3/4" Drive 3/4"
60027A	12 Point Standard Inch Socket 3/4" Drive 13/16"
60028	12 Point Standard Inch Socket 3/4" Drive 7/8"
60030	12 Point Socket 3/4" Drive 15/16"
60032	12 Point Socket 3/4" Drive 1"
60034	12 Point Socket 3/4" Drive 1-1/16"
60036	12 Point Socket 3/4" Drive 1-1/8"
60038	12 Point Standard Inch Socket 3/4" Drive 1-3/16"
60040	12 Point Socket 3/4" Drive 1-1/4"
60042	12 Point Standard Inch Socket 3/4" Drive 1-5/6"
60044	12 Point Socket 3/4" Drive 1-3/8"
60046	12 Point Socket 3/4" Drive 1-7/16"
60048	12 Point Socket 3/4" Drive 1-1/2"
60050	12 Point Standard Inch Socket 3/4" Drive 1-9/16"
60052	12 Point Socket 3/4" Drive 1-5/8"
60054	12 Point Standard Inch Socket 3/4" Drive 1-11/16"
60056	12 Point Standard Inch Socket 3/4" Drive 1-3/4"
60058	12 Point Standard Inch Socket 3/4" Drive 1-13/16"
60060	12 Point Standard Inch Socket 3/4" Drive 1-7/8"
60064	12 Point Standard Inch Socket 3/4" Drive 2"
60068	12 Point Standard Inch Socket 3/4" Drive 2-1/8"
60070	12 Point Standard Inch Socket 3/4" Drive 2-3/16"
61019M	12 Point Standard Metric Socket 3/4" Drive 19 mm
61021M	12 Point Standard Metric Socket 3/4" Drive 21 mm
61022M	12 Point Standard Metric Socket 3/4" Drive 22 mm
61023M	12 Point Standard Metric Socket 3/4" Drive 23 mm
61024M	12 Point Standard Metric Socket 3/4" Drive 24 mm
61025M	12 Point Standard Metric Socket 3/4" Drive 25 mm
61026M	12 Point Standard Metric Socket 3/4" Drive 26 mm
61027M	12 Point Standard Metric Socket 3/4" Drive 27 mm
61028M	12 Point Standard Metric Socket 3/4" Drive 28 mm
61029M	12 Point Standard Metric Socket 3/4" Drive 29 mm
61030M	12 Point Standard Metric Socket 3/4" Drive 30 mm
61031M	12 Point Standard Metric Socket 3/4" Drive 31 mm
61032M	12 Point Standard Metric Socket 3/4" Drive 32 mm
61035M	12 Point Standard Metric Socket 3/4" Drive 35 mm
61036M	12 Point Standard Metric Socket 3/4" Drive 36 mm
61038M	12 Point Standard Metric Socket 3/4" Drive 38 mm
61041M	12 Point Standard Metric Socket 3/4" Drive 41 mm
61042M	12 Point Standard Metric Socket 3/4" Drive 42 mm
61046M	12 Point Standard Metric Socket 3/4" Drive 46 mm
61050M	12 Point Standard Metric Socket 3/4" Drive 50 mm
61054M	12 Point Standard Metric Socket 3/4" Drive 54 mm
66-039	6 Piece Jeweler Screwdriver Set
68-768	76 Piece Tap and Die Set
69992	1/2" Drive 1/2" x 3/4" Adapter
69993	3/4" Drive 4" Extension
69994	3/4" Drive 16" Extension
69995	3/4" Drive 8" Extension
69997	3/4" Drive Sliding-Tee
69998	3/4" Drive Flex Handle Ratchet



1170 PIECE MASTER TOOL SET, *continued*

Item #: 971170

Contents	Description
9000H	1/4" Drive Hex Bit Holder
9000R-2	7 Bit Ratcheting Screwdriver
9000-TP10	Insert Bit Tamper-Resistant T10
9000-TP15	Insert Bit Tamper-Resistant T15
9000-TP20	Insert Bit Tamper-Resistant T20
9000-TP25	Insert Bit Tamper-Resistant T25
9000-TP27	Insert Bit Tamper-Resistant T27
AW-1004-2	Adjustable Wrench - 4"
AW-1006-2	Adjustable Wrench - 6"
AW-1008-2	Adjustable Wrench - 8"
AW-1010-2	Adjustable Wrench - 10"
AW-1012-2	Adjustable Wrench - 12"
AW-1015-2	Adjustable Wrench - 15"
AW-1018-2	Adjustable Wrench - 18"
AW-1024-2	Adjustable Wrench - 24"
BCF-10M	3/8" Drive Crowfoot Wrench - Metric 10 mm
BCF-11M	3/8" Drive Crowfoot Wrench - Metric 11 mm
BCF-12M	3/8" Drive Crowfoot Wrench - Metric 12 mm
BCF-13M	3/8" Drive Crowfoot Wrench - Metric 13 mm
BCF-14M	3/8" Drive Crowfoot Wrench - Metric 14 mm
BCF-15M	3/8" Drive Crowfoot Wrench - Metric 15 mm
BCF-16M	3/8" Drive Crowfoot Wrench - Metric 16 mm
BCF-17M	3/8" Drive Crowfoot Wrench - Metric 17 mm
BCF-19M	3/8" Drive Crowfoot Wrench - Metric 19 mm
BCF-21M	3/8" Drive Crowfoot Wrench - Metric 21 mm
BCF-22M	3/8" Drive Crowfoot Wrench - Metric 22 mm
BCF-24	3/8" Drive Crowfoot Wrench - Inch 3/4"
BCF-26	3/8" Drive Crowfoot Wrench - Inch 13/16"
BCF-28	3/8" Drive Crowfoot Wrench - Inch 7/8"
BCF-32	3/8" Drive Crowfoot Wrench - Inch 1"
BI-25S	181 Piece Belt Clip Bit Set
BI-31S	31 Piece Insert Bit Set
BI-NS6	6 Piece Magnetic Nutsetter Set - SAE
BI-NS6M	6 Piece Magnetic Nutsetter Set - Metric
BP-1214	1/4" Drive Pear Head Ratchet
BP-1214QR	1/4" Drive Quick-Release Ratchet
BP-1338	3/8" Drive Pear Head Ratchet
BP-1338QR	3/8" Drive Quick-Release Ratchet
BP-1412	1/2" Drive Pear Head Ratchet
BP-1412QR	1/2" Drive Quick-Release Ratchet
BW-0516R	Reverse Ratcheting Double Box Wrench 5/16" x 3/8"
BW-0608T	External Torx® Double Box Ratcheting Wrench E6 x E8
BW-0716R	Reverse Ratcheting Double Box Wrench 7/16" x 1/2"
BW-0809R	Reverse Ratcheting Double Box Wrench 8mm x 9mm
BW-0916R	Reverse Ratcheting Double Box Wrench 9/16" x 5/8"
BW-1011R	Reverse Ratcheting Double Box Wrench 10mm x 11mm
BW-1012T	External Torx® Double Box Ratcheting Wrench E10 x E12
BW-1106M	Satin Finish Combination Wrench 6mm - 12 Point
BW-1107M	Satin Finish Combination Wrench 7mm - 12 Point
BW-1108M	Satin Finish Combination Wrench 8mm - 12 Point
BW-1109M	Satin Finish Combination Wrench 9mm - 12 Point
BW-1110M	Satin Finish Combination Wrench 10mm - 12 Point

Contents	Description
BW-1111M	Satin Finish Combination Wrench 11mm - 12 Point
BW-1112M	Satin Finish Combination Wrench 12mm - 12 Point
BW-1113M	Satin Finish Combination Wrench 13mm - 12 Point
BW-1114M	Satin Finish Combination Wrench 14mm - 12 Point
BW-1115M	Satin Finish Combination Wrench 15mm - 12 Point
BW-1116M	Satin Finish Combination Wrench 16mm - 12 Point
BW-1116R	Reverse Ratcheting Double Box Wrench 11/16" x 3/4"
BW-1117M	Satin Finish Combination Wrench 17mm - 12 Point
BW-1118M	Satin Finish Combination Wrench 18mm - 12 Point
BW-1119M	Satin Finish Combination Wrench 19mm - 12 Point
BW-1120M	Satin Finish Combination Wrench 20mm - 12 Point
BW-1121M	Satin Finish Combination Wrench 21mm - 12 Point
BW-1122M	Satin Finish Combination Wrench 22mm - 12 Point
BW-1124M	Satin Finish Combination Wrench 24mm - 12 Point
BW-1125M	Satin Finish Combination Wrench 25mm - 12 Point
BW-1126M	Satin Finish Combination Wrench 26mm - 12 Point
BW-1127M	Satin Finish Combination Wrench 27mm - 12 Point
BW-1128M	Satin Finish Combination Wrench 28mm - 12 Point
BW-1130M	Satin Finish Combination Wrench 30mm - 12 Point
BW-1132M	Satin Finish Combination Wrench 32mm - 12 Point
BW-1156	Satin Finish Combination Wrench 1/4" - 12 Point
BW-1159	Satin Finish Combination Wrench 5/16" - 12 Point
BW-1160	Satin Finish Combination Wrench 3/8" - 12 Point
BW-1161	Satin Finish Combination Wrench 7/16" - 12 Point
BW-1162	Satin Finish Combination Wrench 1/2" - 12 Point
BW-1163	Satin Finish Combination Wrench 9/16" - 12 Point
BW-1164	Satin Finish Combination Wrench 5/8" - 12 Point
BW-1165	Satin Finish Combination Wrench 11/16" - 12 Point
BW-1166	Satin Finish Combination Wrench 3/4" - 12 Point
BW-1167	Satin Finish Combination Wrench 7/8" - 12 Point
BW-1167A	Satin Finish Combination Wrench 13/16" - 12 Point
BW-1168	Satin Finish Combination Wrench 15/16" - 12 Point
BW-1170	Satin Finish Combination Wrench 1" - 12 Point
BW-1171	Satin Finish Combination Wrench 1-1/16" - 12 Point
BW-1172	Satin Finish Combination Wrench 1-1/8" - 12 Point
BW-1173	Satin Finish Combination Wrench 1-1/4" - 12 Point
BW-1174	Satin Finish Combination Wrench 1-5/16" - 12 Point
BW-1175	Satin Finish Combination Wrench 1-3/8" - 12 Point
BW-1176	Satin Finish Combination Wrench 1-7/16" - 12 Point
BW-1177	Satin Finish Combination Wrench 1-1/2" - 12 Point
BW-1210	Non-Reverse Ratcheting Combination Wrench 3/8"
BW-1212	Non-Reverse Ratcheting Combination Wrench 7/16"
BW-1213R	Reverse Ratcheting Double Box Wrench 12mm x 13mm
BW-1214	Non-Reverse Ratcheting Combination Wrench 1/2"
BW-1216	Non-Reverse Ratcheting Combination Wrench 9/16"
BW-1218	Non-Reverse Ratcheting Combination Wrench 5/8"
BW-1220	Non-Reverse Ratcheting Combination Wrench 11/16"
BW-1222	Non-Reverse Ratcheting Combination Wrench 3/4"
BW-1260	Non-Reverse Ratcheting Combination Wrench 10mm
BW-1261	Non-Reverse Ratcheting Combination Wrench 12mm
BW-1262	Non-Reverse Ratcheting Combination Wrench 13mm
BW-1263	Non-Reverse Ratcheting Combination Wrench 14mm

Blackhawk
BY PROTO

Blackhawk™ by Proto® not available in all countries.



MASTER SETS





1170 PIECE MASTER TOOL SET, *continued*

Item #: 971170

Contents	Description
BW-1264	Non-Reverse Ratcheting Combination Wrench 15mm
BW-1265	Non-Reverse Ratcheting Combination Wrench 16mm
BW-1267	Non-Reverse Ratcheting Combination Wrench 18mm
BW-1306	XL Combination Ratcheting Wrench - 5/16"
BW-1308	XL Combination Ratcheting Wrench - 11/32"
BW-1308M	XL Combination Ratcheting Wrench - 8mm
BW-1309M	XL Combination Ratcheting Wrench - 9mm
BW-1310	XL Combination Ratcheting Wrench - 3/8"
BW-1310M	XL Combination Ratcheting Wrench - 10mm
BW-1311M	XL Combination Ratcheting Wrench - 11mm
BW-1312	XL Combination Ratcheting Wrench - 7/16"
BW-1312M	XL Combination Ratcheting Wrench - 12mm
BW-1313M	XL Combination Ratcheting Wrench - 13mm
BW-1314	XL Combination Ratcheting Wrench - 1/2"
BW-1314M	XL Combination Ratcheting Wrench - 14mm
BW-1315M	XL Combination Ratcheting Wrench - 15mm
BW-1316	XL Combination Ratcheting Wrench - 9/16"
BW-1316M	XL Combination Ratcheting Wrench - 16mm
BW-1317M	XL Combination Ratcheting Wrench - 17mm
BW-1318	XL Combination Ratcheting Wrench - 5/8"
BW-1318M	XL Combination Ratcheting Wrench - 18mm
BW-1319M	XL Combination Ratcheting Wrench - 19mm
BW-1320	XL Combination Ratcheting Wrench - 11/16"
BW-1321M	XL Combination Ratcheting Wrench - 21mm
BW-1322	XL Combination Ratcheting Wrench - 3/4"
BW-1322M	XL Combination Ratcheting Wrench - 22mm
BW-1324	XL Combination Ratcheting Wrench - 13/16"
BW-1324M	XL Combination Ratcheting Wrench - 24mm
BW-1326	XL Combination Ratcheting Wrench - 7/8"
BW-1328	XL Combination Ratcheting Wrench - 15/16"
BW-1330	XL Combination Ratcheting Wrench - 1"
BW-1340M	4Box™ Ratcheting Wrench - 8, 9, 10, 11mm
BW-1341	4Box™ Ratcheting Wrench - 5/16, 3/8, 7/16, 1/2"
BW-1342M	4Box™ Ratcheting Wrench - 12, 13, 14, 15mm
BW-1343	4Box™ Ratcheting Wrench - 9/16, 5/8, 11/16, 3/4"
BW-1344M	4Box™ Ratcheting Wrench - 16, 17, 18, 19mm
BW-1410	Reverse Ratcheting Combination Wrench 5/16"
BW-1412	Reverse Ratcheting Combination Wrench 3/8"
BW-1414	Reverse Ratcheting Combination Wrench 7/16"
BW-1415R	Reverse Ratcheting Double Box Wrench 14mm x 15mm
BW-1416	Reverse Ratcheting Combination Wrench 1/2"
BW-1418	Reverse Ratcheting Combination Wrench 9/16"
BW-1418T	External Torx® Double Box Ratcheting Wrench E14 x E18
BW-1420	Reverse Ratcheting Combination Wrench 5/8"
BW-1422	Reverse Ratcheting Combination Wrench 11/16"
BW-1424	Reverse Ratcheting Combination Wrench 3/4"
BW-1426	Reverse Ratcheting Combination Wrench 13/16"
BW-1428	Reverse Ratcheting Combination Wrench 7/8"
BW-1430	Reverse Ratcheting Combination Wrench 15/16"
BW-1432	Reverse Ratcheting Combination Wrench 1"
BW-1434	Reverse Ratcheting Combination Wrench 1-1/16"
BW-1436	Reverse Ratcheting Combination Wrench 1-1/8"

Contents	Description
BW-1438	Reverse Ratcheting Combination Wrench 1-1/4"
BW-1471	Reverse Ratcheting Combination Wrench 21mm
BW-1472	Reverse Ratcheting Combination Wrench 22mm
BW-1474	Reverse Ratcheting Combination Wrench 24mm
BW-1477	Reverse Ratcheting Combination Wrench 27mm
BW-1480	Reverse Ratcheting Combination Wrench 30mm
BW-1482	Reverse Ratcheting Combination Wrench 32mm
BW-1484	Reverse Ratcheting Combination Wrench 34mm
BW-1618R	Reverse Ratcheting Double Box Wrench 16mm x 18mm
BW-1719R	Reverse Ratcheting Double Box Wrench 17mm x 19mm
BW-2024T	External Torx® Double Box Ratcheting Wrench E20 x E24
BW-2206R	Stubby Reverse Ratcheting Wrench 1/4"
BW-2208R	Stubby Reverse Ratcheting Wrench 5/16"
BW-2210R	Stubby Reverse Ratcheting Wrench 3/8"
BW-2212R	Stubby Reverse Ratcheting Wrench 7/16"
BW-2214R	Stubby Reverse Ratcheting Wrench 1/2"
BW-2216R	Stubby Reverse Ratcheting Wrench 9/16"
BW-2218R	Stubby Reverse Ratcheting Wrench 5/8"
BW-2220R	Stubby Reverse Ratcheting Wrench 11/16"
BW-2222R	Stubby Reverse Ratcheting Wrench 3/4"
BW-2260R	Stubby Reverse Ratcheting Wrench 10mm
BW-2261R	Stubby Reverse Ratcheting Wrench 11mm
BW-2262R	Stubby Reverse Ratcheting Wrench 12mm
BW-2263R	Stubby Reverse Ratcheting Wrench 13mm
BW-2264R	Stubby Reverse Ratcheting Wrench 14mm
BW-2265R	Stubby Reverse Ratcheting Wrench 15mm
BW-2266R	Stubby Reverse Ratcheting Wrench 16mm
BW-2267R	Stubby Reverse Ratcheting Wrench 17mm
BW-2268R	Stubby Reverse Ratcheting Wrench 19mm
BW-2269R	Stubby Reverse Ratcheting Wrench 19mm
BW-2276R	Stubby Reverse Ratcheting Wrench 6mm
BW-2278R	Stubby Reverse Ratcheting Wrench 8mm
BW-2279R	Stubby Reverse Ratcheting Wrench 9mm
BW-3209L	Locking Flex-Head Ratcheting Wrench 5/16"
BW-3210L	Locking Flex-Head Ratcheting Wrench 3/8"
BW-3212L	Locking Flex-Head Ratcheting Wrench 7/16"
BW-3214L	Locking Flex-Head Ratcheting Wrench 1/2"
BW-3216L	Locking Flex-Head Ratcheting Wrench 9/16"
BW-3218L	Locking Flex-Head Ratcheting Wrench 5/8"
BW-3220L	Locking Flex-Head Ratcheting Wrench 11/16"
BW-3222L	Locking Flex-Head Ratcheting Wrench 3/4"
BW-3258L	Locking Flex-Head Ratcheting Wrench 8mm
BW-3259L	Locking Flex-Head Ratcheting Wrench 9mm
BW-3260AL	Locking Flex-Head Ratcheting Wrench 11mm
BW-3260L	Locking Flex-Head Ratcheting Wrench 10mm
BW-3261L	Locking Flex-Head Ratcheting Wrench 12mm
BW-3262L	Locking Flex-Head Ratcheting Wrench 13mm
BW-3263L	Locking Flex-Head Ratcheting Wrench 14mm
BW-3264L	Locking Flex-Head Ratcheting Wrench 15mm
BW-3265L	Locking Flex-Head Ratcheting Wrench 16mm
BW-3266L	Locking Flex-Head Ratcheting Wrench 17mm
BW-3267L	Locking Flex-Head Ratcheting Wrench 18mm



1170 PIECE MASTER TOOL SET, *continued*

Item #: 971170

Contents	Description
BW-3268L	Locking Flex-Head Ratcheting Wrench 19mm
BWE-1011MP	Full Polish - Open-End Wrench Metric 10 mm x 11 mm
BWE-1213MP	Full Polish - Open-End Wrench Metric 12 mm x 13 mm
BWE-1415MP	Full Polish - Open-End Wrench Metric 14 mm x 15 mm
BWE-1617MP	Full Polish - Open-End Wrench Metric 16 mm x 17 mm
BWE-1819MP	Full Polish - Open-End Wrench Metric 18 mm x 19 mm
BWE-2022MP	Full Polish - Open-End Wrench Metric 20 mm x 22 mm
BWE-67MP	Full Polish - Open-End Wrench Metric 6 mm x 7 mm
BWE-89MP	Full Polish - Open-End Wrench Metric 8 mm x 9 mm
BWO-1220	Obstacle Ratcheting Wrench Set - SAE
BWO-1220M	Obstacle Ratcheting Wrench Set - Metric
BWS-1202P	Box-End Wrench Long - Inch 5/16" x 3/8"
BWS-1206P	Box-End Wrench Long - Inch 7/16" x 1/2"
BWS-1210P	Box-End Wrench Long - Inch 7/16" x 1/2"
BWS-1211P	Box-End Wrench Long - Inch 9/16" x 5/8"
BWS-1214P	Box-End Wrench Long - Inch 11/16" x 3/4"
BWS-1216P	Box-End Wrench Long - Inch 13/16" x 7/8"
BWS-1218P	Box-End Wrench Long - Inch 15/16" x 1"
CT-1003	Cold Chisel 5-1/4" Length, 3/8" Edge
CT-1004	Cold Chisel 5-1/2" Length, 7/16" Edge
CT-1006	Cold Chisel 6-1/2" Length, 5/8" Edge
CT-1008	Cold Chisel 7" Length, 3/4" Edge
CT-1010	Cold Chisel 7-1/2" Length, 7/8" Edge
CT-1108	Long Cold Chisel 3/4" Length, 12"
CT-1110	Long Cold Chisel 7/8" Length, 12"
CT-1156	Flat Cape Chisel
CT-1204	Round Nose Chisel 5 1/2" Length, 1/4" Edge
CT-1254	Diamond Point Chisel 5" Length, 3/16" Edge
CT-1303	Center Punch 5" Length, 5/32" Point
CT-1304	Center Punch 5-1/2" Length, 3/16" Point
CT-1306	Center Punch 6" Length, 1/4" Point
CT-1314	Scribing Punch 5" Length, 5/32"
CT-1404	Hand Punch 3/8" Length, 5"
CT-1453	Pin Punch 5" Length, 1/8" Point
CT-1454	Pin Punch 5 1/4" Length, 5/32" Point
CT-1456	Pin Punch 5 1/2" Length, 3/16" Point
CT-1464	Pin Punch 7" Length, 1/4" Point
CT-1466	Pin Punch 7" Length, 5/16" Point
CT-1509	Aligning Punch 11" Length, 1/4" Point
CT-1554	Long Taper Punch 1/2" Length, 8-1/2"
CT-1556	Long Taper Punch 1/2" Length, 9"
CT-1558	Long Taper Punch 5/8" Length, 11"
CT-1606	Pinch Bar 1/2" Length, 14"
FN-1012MP	Flare Nut Wrench - Metric 10 mm x 12 mm
FN-1314MP	Flare Nut Wrench - Metric 13 mm x 14 mm
FN-1402P	Flare Nut Wrench - Inch 3/8" x 7/16"
FN-1404P	Flare Nut Wrench - Inch 1/2" x 9/16"
FN-1406P	Flare Nut Wrench - Inch 5/8" x 11/16"
FN-1410P	Flare Nut Wrench - Inch 3/4" x 1"
FN-1517MP	Flare Nut Wrench - Metric 15 mm x 17 mm
FN-1921MP	Flare Nut Wrench - Metric 19 mm x 21 mm
FN-911MP	Flare Nut Wrench - Metric 9 mm x 11 mm

Contents	Description
FT-1124	10 Piece Hacksaw Blades
FT-1202	Adjustable Hacksaw Frame
GW-1208	8 Point Deep Inch Socket 1/4" Drive 1/4"
GW-1210	8 Point Deep Inch Socket 1/4" Drive 5/16"
GW-1212	8 Point Deep Inch Socket 1/4" Drive 3/8"
GW-1406	12 Point Deep Inch Socket 1/4" Drive 3/16"
GW-1407	12 Point Deep Inch Socket 1/4" Drive 7/32"
GW-1408	12 Point Deep Inch Socket 1/4" Drive 1/4"
GW-1409	12 Point Deep Inch Socket 1/4" Drive 9/32"
GW-1410	12 Point Deep Inch Socket 1/4" Drive 5/16"
GW-1411	12 Point Deep Inch Socket 1/4" Drive 11/32"
GW-1412	12 Point Deep Inch Socket 1/4" Drive 3/8"
GW-1414	12 Point Deep Inch Socket 1/4" Drive 7/16"
GW-1416	12 Point Deep Inch Socket 1/4" Drive 1/2"
GW-1506	6 Point Deep Inch Socket 1/4" Drive 3/16"
GW-1507	6 Point Deep Inch Socket 1/4" Drive 7/32"
GW-1508	6 Point Deep Inch Socket 1/4" Drive 1/4"
GW-1509	6 Point Deep Inch Socket 1/4" Drive 9/32"
GW-1510	6 Point Deep Inch Socket 1/4" Drive 5/16"
GW-1511	6 Point Deep Inch Socket 1/4" Drive 11/32"
GW-1512	6 Point Deep Inch Socket 1/4" Drive 3/8"
GW-1514	6 Point Deep Inch Socket 1/4" Drive 7/16"
GW-1516	6 Point Deep Inch Socket 1/4" Drive 1/2"
GW-1605	6 Point Standard Inch Socket 1/4" Drive 5/32"
GW-1605M	12 Point Deep Metric Socket 1/4" Drive 5 mm
GW-1606	6 Point Standard Inch Socket 1/4" Drive 3/16"
GW-1606M	12 Point Deep Metric Socket 1/4" Drive 6 mm
GW-1607	6 Point Standard Inch Socket 1/4" Drive 7/32"
GW-1607M	12 Point Deep Metric Socket 1/4" Drive 7 mm
GW-1608	6 Point Standard Inch Socket 1/4" Drive 1/4"
GW-1608M	12 Point Deep Metric Socket 1/4" Drive 8 mm
GW-1609	6 Point Standard Inch Socket 1/4" Drive 9/32"
GW-1609M	12 Point Deep Metric Socket 1/4" Drive 9 mm
GW-1610	6 Point Standard Inch Socket 1/4" Drive 5/16"
GW-1610M	12 Point Deep Metric Socket 1/4" Drive 10 mm
GW-1611	6 Point Standard Inch Socket 1/4" Drive 11/32"
GW-1611M	12 Point Deep Metric Socket 1/4" Drive 11 mm
GW-1612M	12 Point Deep Metric Socket 1/4" Drive 12 mm
GW-1613M	12 Point Deep Metric Socket 1/4" Drive 13 mm
GW-1614	6 Point Standard Inch Socket 1/4" Drive 7/16"
GW-1616	6 Point Standard Inch Socket 1/4" Drive 1/2"
GW-1705	12 Point Standard Inch Socket 1/4" Drive 5/32"
GW-1706	12 Point Standard Inch Socket 1/4" Drive 3/16"
GW-1707	12 Point Standard Inch Socket 1/4" Drive 7/32"
GW-1708	12 Point Standard Inch Socket 1/4" Drive 1/4"
GW-1709	12 Point Standard Inch Socket 1/4" Drive 9/32"
GW-1710	12 Point Standard Inch Socket 1/4" Drive 5/16"
GW-1711	12 Point Standard Inch Socket 1/4" Drive 11/32"
GW-1712	12 Point Standard Inch Socket 1/4" Drive 3/8"
GW-1714	12 Point Standard Inch Socket 1/4" Drive 7/16"
GW-1716	12 Point Standard Inch Socket 1/4" Drive 1/2"
GW-504M	6 Point Deep Metric Socket 1/4" Drive 4 mm

MASTER SETS





1170 PIECE MASTER TOOL SET, *continued*

Item #: 971170

Contents	Description
GW-505M	6 Point Deep Metric Socket 1/4" Drive 5 mm
GW-506M	6 Point Deep Metric Socket 1/4" Drive 6 mm
GW-507M	6 Point Deep Metric Socket 1/4" Drive 7 mm
GW-508M	6 Point Deep Metric Socket 1/4" Drive 8 mm
GW-509M	6 Point Deep Metric Socket 1/4" Drive 9 mm
GW-510M	6 Point Deep Metric Socket 1/4" Drive 10 mm
GW-511M	6 Point Deep Metric Socket 1/4" Drive 11 mm
GW-512M	6 Point Deep Metric Socket 1/4" Drive 12 mm
GW-513M	6 Point Deep Metric Socket 1/4" Drive 13 mm
GW-604M	6 Point Standard Metric Socket 1/4" Drive 4 mm
GW-605M	6 Point Standard Metric Socket 1/4" Drive 5 mm
GW-606M	6 Point Standard Metric Socket 1/4" Drive 6 mm
GW-607M	6 Point Standard Metric Socket 1/4" Drive 7 mm
GW-608M	6 Point Standard Metric Socket 1/4" Drive 8 mm
GW-609M	6 Point Standard Metric Socket 1/4" Drive 9 mm
GW-610M	6 Point Standard Metric Socket 1/4" Drive 10 mm
GW-611M	6 Point Standard Metric Socket 1/4" Drive 11 mm
GW-612M	6 Point Standard Metric Socket 1/4" Drive 12 mm
GW-613M	6 Point Standard Metric Socket 1/4" Drive 13 mm
GW-645M	6 Point Standard Metric Socket 1/4" Drive 4.5 mm
GW-655M	6 Point Standard Metric Socket 1/4" Drive 5.5 mm
GW-705M	12 Point Standard Metric Socket 1/4" Drive 5 mm
GW-755M	12 Point Standard Metric Socket 1/4" Drive 5.5 mm
GW-706M	12 Point Standard Metric Socket 1/4" Drive 6 mm
GW-707M	12 Point Standard Metric Socket 1/4" Drive 7 mm
GW-708M	12 Point Standard Metric Socket 1/4" Drive 8 mm
GW-709M	12 Point Standard Metric Socket 1/4" Drive 9 mm
GW-710M	12 Point Standard Metric Socket 1/4" Drive 10 mm
GW-711M	12 Point Standard Metric Socket 1/4" Drive 11 mm
GW-712M	12 Point Standard Metric Socket 1/4" Drive 12 mm
GW-713M	12 Point Standard Metric Socket 1/4" Drive 13 mm
GW-9545	1/4" Drive Flexible Spinner
GW-9749B	1/4" Drive Flex Handle
GW-9898L	1/4" Drive Locking Extension 4"
GW-9899L	1/4" Drive Locking Extension 6"
HT-1005-1	Ball Pein Hammer 16 oz
HT-1007-1	Ball Pein Hammer 24oz
HT-1008-1	Ball Pein Hammer 32oz
HW-1507M	6 Point Deep Metric Socket 3/8" Drive 7 mm
HW-1508M	6 Point Deep Metric Socket 3/8" Drive 8 mm
HW-1509M	6 Point Deep Metric Socket 3/8" Drive 9 mm
HW-1510M	6 Point Deep Metric Socket 3/8" Drive 10 mm
HW-1511M	6 Point Deep Metric Socket 3/8" Drive 11 mm
HW-1512M	6 Point Deep Metric Socket 3/8" Drive 12 mm
HW-1513M	6 Point Deep Metric Socket 3/8" Drive 13 mm
HW-1514M	6 Point Deep Metric Socket 3/8" Drive 14 mm
HW-1515M	6 Point Deep Metric Socket 3/8" Drive 15 mm
HW-1517M	6 Point Deep Metric Socket 3/8" Drive 17 mm
HW-1518M	6 Point Deep Metric Socket 3/8" Drive 18 mm
HW-1519M	6 Point Deep Metric Socket 3/8" Drive 19 mm
HW-1520S	3/8" Drive Spark Plug Socket 5/8"
HW-1522	6 Point Deep Inch Socket 3/8" Drive 11/16"

Contents	Description
HW-1524	6 Point Deep Inch Socket 3/8" Drive 3/4"
HW-1526	6 Point Deep Inch Socket 3/8" Drive 13/16"
HW-1526S	Spark Plug Socket 3/8" Drive 13/16"
HW-1528	6 Point Deep Inch Socket 3/8" Drive 7/8"
HW-1530	6 Point Deep Inch Socket 3/8" Drive 15/16"
HW-1532	6 Point Deep Inch Socket 3/8" Drive 1"
HW-1608M	12 Point Deep Metric Socket 3/8" Drive 8 mm
HW-1609M	12 Point Deep Metric Socket 3/8" Drive 9 mm
HW-1610M	12 Point Deep Metric Socket 3/8" Drive 10 mm
HW-1611M	12 Point Deep Metric Socket 3/8" Drive 11 mm
HW-1612M	12 Point Deep Metric Socket 3/8" Drive 12 mm
HW-1613M	12 Point Deep Metric Socket 3/8" Drive 13 mm
HW-1614M	12 Point Deep Metric Socket 3/8" Drive 14 mm
HW-1615M	12 Point Deep Metric Socket 3/8" Drive 15 mm
HW-1616M	12 Point Deep Metric Socket 3/8" Drive 16 mm
HW-1617M	12 Point Deep Metric Socket 3/8" Drive 17 mm
HW-1618M	12 Point Deep Metric Socket 3/8" Drive 18 mm
HW-1619M	12 Point Deep Metric Socket 3/8" Drive 19 mm
HW-9404M-2	3/8" Drive Hex Bit Socket - 4 mm
HW-9405M-2	3/8" Drive Hex Bit Socket - 5 mm
HW-9406M-2	3/8" Drive Hex Bit Socket - 6 mm
HW-9407M-2	3/8" Drive Hex Bit Socket - 7 mm
HW-9408M-2	3/8" Drive Hex Bit Socket - 8 mm
HW-9410M-2	3/8" Drive Hex Bit Socket - 10 mm
HW-9442-2	3/8" Drive Hex Bit Socket - 1/8"
HW-9443-2	3/8" Drive Hex Bit Socket - 9/64"
HW-9444-2	3/8" Drive Hex Bit Socket - 5/32"
HW-9445-2	3/8" Drive Hex Bit Socket - 3/8"
HW-9446-2	3/8" Drive Hex Bit Socket - 5/16"
HW-9447-2	3/8" Drive Hex Bit Socket - 1/4"
HW-9448-2	3/8" Drive Hex Bit Socket - 7/32"
HW-9449-2	3/8" Drive Hex Bit Socket - 3/16"
HW-9450-2	3/8" Drive Phillips® Bit Socket - #1
HW-9451-2	3/8" Drive Phillips® Bit Socket - #2
HW-9452-2	3/8" Drive Phillips® Bit Socket - #3
HW-9453-2	3/8" Drive Phillips® Bit Socket - #4
HW-9504-2	3/8" Drive Slotted Bit Socket - 3/16"
HW-9505-2	3/8" Drive Slotted Bit Socket - 1/4"
HW-9506-2	3/8" Drive Slotted Bit Socket - 5/16"
MT-1049	25 Blade All-Purpose Feeler Gauge
PT-1003-2	8" Slip Joint Pliers
PT-1050-2	Wire Stripper
PT-1052-2	6" Diagonal Cutting Pliers
PT-1057-2	7" Diagonal Cutting Pliers - Heavy Duty
PT-1105-2	5" Curved Jaw Locking Pliers
PT-1106L	6" Long Nose Locking Pliers
PT-1107-2	7" Curved Jaw Locking Pliers
PT-1107S	7" Flat Jaw Locking Pliers
PT-1108-2	9" Linemans Pliers
PT-1110-2	10" Curved Jaw Locking Pliers
PT-1128-2	6" Needle Nose Cutting Pliers - Heavy Duty
PT-1129-2	8" Needle Nose Cutting Pliers - Heavy Duty



1170 PIECE MASTER TOOL SET, *continued*

Item #: 971170

Contents	Description
PT-1130-2	6" End Nipper Pliers
PT-1149-2	6" Curved Needle Nose Pliers
PT-1150-2	5" Diagonal Cutting Pliers
PT-1153-2	4" Precision Diagonal Cutting Pliers
PT-1154-2	5" Precision Needle Nose Pliers
PT-1206L	6" Long Nose Locking Pliers - Quick Release
PT-1207	7" Curved Jaw Locking Pliers - Quick Release
PT-1210	10" Curved Jaw Locking Pliers - Quick Release
PT-1248-2	12" Rib Lock Pliers
PT-1250-2	10" Rib Lock Pliers
PT-1257-2	Long Reach 45 Degree Bent Nose Pliers
PT-1258-2	Long Reach Needle Nose Pliers
PT-1263-2	8" Rib Lock Pliers
ST-1183	Offset Screwdriver 3/16"
ST-1184	Offset Screwdriver 3/16"
ST-1185	Offset Screwdriver 1/4"
ST-555S	7/32" Slotted Screwdriver - 5" Blade
ST-65SH	1/4" Slotted Stubby Screwdriver - 1-1/4" Blade
ST-800	Nut Driver Inch 3/16"
ST-801	Nut Driver Inch 9/32"
ST-803	Nut Driver Inch 1/4"
ST-806	Nut Driver Inch 5/16"
ST-807S	5/16" Slotted Screwdriver - 7" Blade
ST-809	Nut Driver Inch 11/32"
ST-812	Nut Driver Inch 3/8"
ST-815	Nut Driver Inch 7/16"
ST-818	Nut Driver Inch 1/2"
ST-905M	Nut Driver Metric 5 mm
ST-907M	Nut Driver Metric 7 mm
ST-908M	Nut Driver Metric 8 mm
ST-909M	Nut Driver Metric 9 mm
ST-910M	Nut Driver Metric 10 mm
ST-911M	Nut Driver Metric 11 mm
ST-912M	Nut Driver Metric 12 mm
ST-955M	Nut Driver Metric 5.5 mm
ST-PH00-2	#00 Phillips® Screwdriver - 2" Blade
ST-PH0-3	#0 Phillips® Screwdriver - 3" Blade
ST-PH1-4	#1 Phillips® Screwdriver - 4" Blade
ST-PH2-5	#2 Phillips® Screwdriver - 5" Blade
ST-PH2-SH	#2 Phillips® Stubby Screwdriver - 1-1/4" Blade
ST-SS1	1/4" Drive Socket Spinner
ST-T10-3	T10 Torx® Screwdriver - 3" Blade
ST-T15-3	T15 Torx® Screwdriver - 3" Blade
ST-T20-4	T20 Torx® Screwdriver - 4" Blade
ST-T25-4	T25 Torx® Screwdriver - 4" Blade
ST-T27-4	T27 Torx® Screwdriver - 4" Blade
ST-T30-5	T30 Torx® Screwdriver - 5" Blade
ST-T40-5	T40 Torx® Screwdriver - 5" Blade
ST-T6-2	T6 Torx® Screwdriver - 2" Blade
ST-T7-2	T7 Torx® Screwdriver - 2" Blade
ST-T8-2	T8 Torx® Screwdriver - 2" Blade
ST-T9-3	T9 Torx® Screwdriver - 3" Blade

Contents	Description
ST-TT10-3	T10 Tamper Torx® Screwdriver - 3" Blade
ST-TT15-3	T15 Tamper Torx® Screwdriver - 3" Blade
ST-TT20-4	T20 Tamper Torx® Screwdriver - 4" Blade
ST-TT25-4	T25 Tamper Torx® Screwdriver - 4" Blade
ST-TT27-4	T27 Tamper Torx® Screwdriver - 4" Blade
ST-TT30-5	T30 Tamper Torx® Screwdriver - 5" Blade
ST-TT40-5	T40 Tamper Torx® Screwdriver - 5" Blade
TR-3210-2	1/4" Drive T10 Tamper Torx® Impact Socket
TR-3215-2	1/4" Drive T15 Tamper Torx® Impact Socket
TR-3220-2	1/4" Drive T20 Tamper Torx® Impact Socket
TR-3225-2	1/4" Drive T25 Tamper Torx® Impact Socket
TR-3227-2	1/4" Drive T27 Tamper Torx® Impact Socket
TR-3230-2	1/4" Drive T30 Tamper Torx® Impact Socket
TR-3340-2	3/8" Drive T10 Tamper Torx® Impact Socket
TR-3345-2	3/8" Drive T15 Tamper Torx® Impact Socket
TR-3350-2	3/8" Drive T20 Tamper Torx® Impact Socket
TS-1209-2	1/4" Drive T9 Torx® Impact Socket
TS-1210-2	1/4" Drive T10 Torx® Impact Socket
TS-1215-2	1/4" Drive T15 Torx® Impact Socket
TS-1220-2	1/4" Drive T20 Torx® Impact Socket
TS-1225-2	1/4" Drive T25 Torx® Impact Socket
TS-1227-2	1/4" Drive T27 Torx® Impact Socket
TS-1230-2	1/4" Drive T30 Torx® Impact Socket
TS-1340-2	3/8" Drive T40 Torx® Impact Socket
TS-1345-2	3/8" Drive T45 Torx® Impact Socket
TS-1347-2	3/8" Drive T47 Torx® Impact Socket
TS-1350-2	3/8" Drive T50 Torx® Impact Socket
TS-1355-2	3/8" Drive T55 Torx® Impact Socket
TS-1460-2	1/2" Drive T60 Torx® Impact Socket
TS-2204-2	1/4" Drive E4 External Torx® Socket
TS-2205-2	1/4" Drive E5 External Torx® Socket
TS-2206-2	1/4" Drive E6 External Torx® Socket
TS-2207-2	1/4" Drive E7 External Torx® Socket
TS-2208-2	1/4" Drive E8 External Torx® Socket
TS-2308-2	3/8" Drive E8 External Torx® Socket
TS-2310-2	3/8" Drive E10 External Torx® Socket
TS-2312-2	3/8" Drive E12 External Torx® Socket
TS-2314-2	3/8" Drive E14 External Torx® Socket
TS-2316-2	3/8" Drive E16 External Torx® Socket
TS-2418-2	3/8" Drive E18 External Torx® Socket
U-1507M-2	3/8" Drive 7mm Impact Socket - 6 Point
U-1508-2	3/8" Drive 1/4" Impact Socket - 6 Point
U-1508M-2	3/8" Drive 8mm Impact Socket - 6 Point
U-1509M-2	3/8" Drive 9mm Impact Socket - 6 Point
U-1510-2	3/8" Drive 5/16" Impact Socket - 6 Point
U-1510M-2	3/8" Drive 10mm Impact Socket - 6 Point
U-1511M-2	3/8" Drive 11mm Impact Socket - 6 Point
U-1512-2	3/8" Drive 3/8" Impact Socket - 6 Point
U-1512M-2	3/8" Drive 12mm Impact Socket - 6 Point
U-1513M-2	3/8" Drive 13mm Impact Socket - 6 Point
U-1514-2	3/8" Drive 7/16" Impact Socket - 6 Point
U-1514M-2	3/8" Drive 14mm Impact Socket - 6 Point

MASTER SETS





1170 PIECE MASTER TOOL SET, *continued*

Item #: 971170

Contents	Description
U-1515M-2	3/8" Drive 15mm Impact Socket - 6 Point
U-1516-2	3/8" Drive 1/2" Impact Socket - 6 Point
U-1516M-2	3/8" Drive 16mm Impact Socket - 6 Point
U-1517M-2	3/8" Drive 17mm Impact Socket - 6 Point
U-1518-2	3/8" Drive 9/16" Impact Socket - 6 Point
U-1518M-2	3/8" Drive 18mm Impact Socket - 6 Point
U-1519M-2	3/8" Drive 19mm Impact Socket - 6 Point
U-1520-2	3/8" Drive 5/8" Impact Socket - 6 Point
U-1522-2	3/8" Drive 11/16" Impact Socket - 6 Point
U-1524-2	3/8" Drive 3/4" Impact Socket - 6 Point
U-1526-2	3/8" Drive 13/16" Impact Socket - 6 Point
U-1528-2	3/8" Drive 7/8" Impact Socket - 6 Point
U-1530-2	3/8" Drive 15/16" Impact Socket - 6 Point
U-1532-2	3/8" Drive 1" Impact Socket - 6 Point
U-1607M-2	3/8" Drive 7mm Deep Impact Socket - 6 Point
U-1608M-2	3/8" Drive 8mm Deep Impact Socket - 6 Point
U-1609M-2	3/8" Drive 9mm Deep Impact Socket - 6 Point
U-1610-2	3/8" Drive 5/16" Deep Impact Socket - 6 Point
U-1610M-2	3/8" Drive 10mm Deep Impact Socket - 6 Point
U-1611M-2	3/8" Drive 11mm Deep Impact Socket - 6 Point
U-1612-2	3/8" Drive 3/8" Deep Impact Socket - 6 Point
U-1612M-2	3/8" Drive 12mm Deep Impact Socket - 6 Point
U-1613M-2	3/8" Drive 13mm Deep Impact Socket - 6 Point
U-1614-2	3/8" Drive 7/16" Deep Impact Socket - 6 Point
U-1614M-2	3/8" Drive 14mm Deep Impact Socket - 6 Point
U-1615M-2	3/8" Drive 15mm Deep Impact Socket - 6 Point
U-1616-2	3/8" Drive 1/2" Deep Impact Socket - 6 Point
U-1616M-2	3/8" Drive 16mm Deep Impact Socket - 6 Point
U-1617M-2	3/8" Drive 17mm Deep Impact Socket - 6 Point
U-1618-2	3/8" Drive 9/16" Deep Impact Socket - 6 Point
U-1618M-2	3/8" Drive 18mm Deep Impact Socket - 6 Point
U-1619M-2	3/8" Drive 19mm Deep Impact Socket - 6 Point
U-1620-2	3/8" Drive 5/8" Deep Impact Socket - 6 Point
U-1622-2	3/8" Drive 11/16" Deep Impact Socket - 6 Point
U-1624-2	3/8" Drive 3/4" Deep Impact Socket - 6 Point
U-1626-2	3/8" Drive 13/16" Deep Impact Socket - 6 Point
U-1628-2	3/8" Drive 7/8" Deep Impact Socket - 6 Point
U-1630-2	3/8" Drive 15/16" Deep Impact Socket - 6 Point
U-1632-2	3/8" Drive 1" Deep Impact Socket - 6 Point
UW-1500-2	1/2" Drive Double End Impact Socket
UW-1512-2	1/2" Drive 3/8" Deep Impact Socket - 6 Point
UW-1514-2	1/2" Drive 7/16" Deep Impact Socket - 6 Point
UW-1516-2	1/2" Drive 1/2" Deep Impact Socket - 6 Point
UW-1518-2	1/2" Drive 9/16" Deep Impact Socket - 6 Point
UW-1520-2	1/2" Drive 5/8" Deep Impact Socket - 6 Point
UW-1522-2	1/2" Drive 11/16" Deep Impact Socket - 6 Point
UW-1524-2	1/2" Drive 3/4" Deep Impact Socket - 6 Point
UW-1526-2	1/2" Drive 13/16" Deep Impact Socket - 6 Point
UW-1528-2	1/2" Drive 7/8" Deep Impact Socket - 6 Point
UW-1530-2	1/2" Drive 15/16" Deep Impact Socket - 6 Point
UW-1532-2	1/2" Drive 1" Deep Impact Socket - 6 Point
UW-1534-2	1/2" Drive 1-1/16" Deep Impact Socket - 6 Point

Contents	Description
UW-1536-2	1/2" Drive 1-1/8" Deep Impact Socket - 6 Point
UW-1538-2	1/2" Drive 1-1/4" Deep Impact Socket - 6 Point
UW-1612-2	1/2" Drive 3/8" Impact Socket - 6 Point
UW-1614-2	1/2" Drive 7/16" Impact Socket - 6 Point
UW-1616-2	1/2" Drive 1/2" Impact Socket - 6 Point
UW-1618-2	1/2" Drive 9/16" Impact Socket - 6 Point
UW-1620-2	1/2" Drive 5/8" Impact Socket - 6 Point
UW-1622-2	1/2" Drive 11/16" Impact Socket - 6 Point
UW-1624-2	1/2" Drive 3/4" Impact Socket - 6 Point
UW-1626-2	1/2" Drive 13/16" Impact Socket - 6 Point
UW-1628-2	1/2" Drive 7/8" Impact Socket - 6 Point
UW-1630-2	1/2" Drive 15/16" Impact Socket - 6 Point
UW-1632-2	1/2" Drive 1" Impact Socket - 6 Point
UW-1634-2	1/2" Drive 1-1/16" Impact Socket - 6 Point
UW-1636-2	1/2" Drive 1-1/8" Impact Socket - 6 Point
UW-1638-2	1/2" Drive 1-3/16" Impact Socket - 6 Point
UW-1640-2	1/2" Drive 1-1/4" Impact Socket - 6 Point
UW-20-2	3/8" Drive Impact Extension - 3"
UW-21-2	3/8" Drive Impact Extension - 5"
UW-22-2	3/8" Drive Impact Extension - 10"
UW-23-2	3/8" Drive Impact Universal Joint - 3"
UW-24-2	1/2" Drive Impact Extension - 5"
UW-2424-2	3/4" Drive 3/4" Impact Socket - 6 Point
UW-2426-2	3/4" Drive 13/16" Impact Socket - 6 Point
UW-2428-2	3/4" Drive 7/8" Impact Socket - 6 Point
UW-2430-2	3/4" Drive 15/16" Impact Socket - 6 Point
UW-2432-2	3/4" Drive 1" Impact Socket - 6 Point
UW-2434-2	3/4" Drive 1-1/16" Impact Socket - 6 Point
UW-2436-2	3/4" Drive 1-1/8" Impact Socket - 6 Point
UW-2438-2	3/4" Drive 1-3/16" Impact Socket - 6 Point
UW-2440-2	3/4" Drive 1-1/4" Impact Socket - 6 Point
UW-2442-2	3/4" Drive 1-5/16" Impact Socket - 6 Point
UW-2444-2	3/4" Drive 1-3/8" Impact Socket - 6 Point
UW-2446-2	3/4" Drive 1-7/16" Impact Socket - 6 Point
UW-2448-2	3/4" Drive 1-1/2" Impact Socket - 6 Point
UW-2452-2	3/4" Drive 1-5/8" Impact Socket - 6 Point
UW-25-2	1/2" Drive Impact Extension - 10"
UW-2624-2	3/4" Drive 3/4" Deep Impact Socket - 6 Point
UW-2626-2	3/4" Drive 13/16" Deep Impact Socket - 6 Point
UW-2628-2	3/4" Drive 7/8" Deep Impact Socket - 6 Point
UW-2630-2	3/4" Drive 15/16" Deep Impact Socket - 6 Point
UW-2632-2	3/4" Drive 1" Deep Impact Socket - 6 Point
UW-2634-2	3/4" Drive 1-1/16" Deep Impact Socket - 6 Point
UW-2636-2	3/4" Drive 1-1/8" Deep Impact Socket - 6 Point
UW-2638-2	3/4" Drive 1-3/16" Deep Impact Socket - 6 Point
UW-2640-2	3/4" Drive 1-1/4" Deep Impact Socket - 6 Point
UW-2642-2	3/4" Drive 1-5/16" Deep Impact Socket - 6 Point
UW-2644-2	3/4" Drive 1-3/8" Deep Impact Socket - 6 Point
UW-2646-2	3/4" Drive 1-7/16" Deep Impact Socket - 6 Point
UW-2648-2	3/4" Drive 1-1/2" Deep Impact Socket - 6 Point
UW-2652-2	3/4" Drive 1-5/8" Deep Impact Socket - 6 Point
UW-30-2	1/2" Drive Impact Extension - 3"



1170 PIECE MASTER TOOL SET, *continued*

Item #: 971170

Contents	Description
UW-510M-2	1/2" Drive 10mm Deep Impact Socket - 6 Point
UW-511M-2	1/2" Drive 11mm Deep Impact Socket - 6 Point
UW-512M-2	1/2" Drive 12mm Deep Impact Socket - 6 Point
UW-513M-2	1/2" Drive 13mm Deep Impact Socket - 6 Point
UW-514M-2	1/2" Drive 14mm Deep Impact Socket - 6 Point
UW-515M-2	1/2" Drive 15mm Deep Impact Socket - 6 Point
UW-516M-2	1/2" Drive 16mm Deep Impact Socket - 6 Point
UW-517M-2	1/2" Drive 17mm Deep Impact Socket - 6 Point
UW-518M-2	1/2" Drive 18mm Deep Impact Socket - 6 Point
UW-519M-2	1/2" Drive 19mm Deep Impact Socket - 6 Point
UW-520M-2	1/2" Drive 20mm Deep Impact Socket - 6 Point
UW-521M-2	1/2" Drive 21mm Deep Impact Socket - 6 Point
UW-522M-2	1/2" Drive 22mm Deep Impact Socket - 6 Point
UW-524M-2	1/2" Drive 24mm Deep Impact Socket - 6 Point
UW-526M-2	1/2" Drive 26mm Deep Impact Socket - 6 Point
UW-527M-2	1/2" Drive 27mm Deep Impact Socket - 6 Point
UW-610M-2	1/2" Drive 10mm Impact Socket - 6 Point
UW-611M-2	1/2" Drive 11mm Impact Socket - 6 Point
UW-612M-2	1/2" Drive 12mm Impact Socket - 6 Point
UW-613M-2	1/2" Drive 13mm Impact Socket - 6 Point
UW-614M-2	1/2" Drive 14mm Impact Socket - 6 Point
UW-615M-2	1/2" Drive 15mm Impact Socket - 6 Point
UW-616M-2	1/2" Drive 16mm Impact Socket - 6 Point

Contents	Description
UW-617M-2	1/2" Drive 17mm Impact Socket - 6 Point
UW-618M-2	1/2" Drive 18mm Impact Socket - 6 Point
UW-619M-2	1/2" Drive 19mm Impact Socket - 6 Point
UW-620M-2	1/2" Drive 20mm Impact Socket - 6 Point
UW-621M-2	1/2" Drive 21mm Impact Socket - 6 Point
UW-622M-2	1/2" Drive 22mm Impact Socket - 6 Point
UW-624M-2	1/2" Drive 24mm Impact Socket - 6 Point
UW-626M-2	1/2" Drive 26mm Impact Socket - 6 Point
UW-627M-2	1/2" Drive 27mm Impact Socket - 6 Point
UWP-430M	1/2" Drive Specialty Socket 30 mm
UWP-430M-2	1/2" Drive 30mm Axle Nut Socket - 6 Point
UWP-436M	1/2" Drive Specialty Socket 36 mm
UWP-436M-2	1/2" Drive 36mm Axle Nut Socket - 6 Point
UWP-660-2	3/4" Drive 13/16" Buddwheel Socket
ZT-1111	Carbon Scraper
ZT-1112	Degreasing Scraper
ZT-1301	Carbon Cleaning End Brush
ZT-1310	Steel Wire Scratch Brush
ZW-53	13 Piece Standard Hex Wrench Set
ZW-59	13 Piece Standard Long Hex Key Wrench Set
ZW-69	9 Piece Metric Hex Key Wrench Set
UW-1505-2	1/2" Drive Wheel Lug Impact Kit

MASTER SETS

14



Blackhawk
BY PROTO

Blackhawk™ by Proto® not available in all countries.

865 PIECE MASTER TOOL SET

Item #: 970865

454 - Sockets & Accessories

198 - Miscellaneous Tools

42 - Pliers

56 - Screwdrivers

23 - Striking & Struck

92 - Wrenches

- 1/4", 3/8", & 1/2" Drives with Ratchets
- Chrome and Impact Sockets
- Standard and Metric Sizing
- Wrenches: Ignition; Open-Ended; Flare Nut; Combination – Fixed, XL Combination Ratcheting; Locking Flex Ratcheting; Reversible Ratcheting; Ratcheting 4Box™; Adjustable
- Weight (lbs): 176.06

Contents	Description
10-049	Pocket Knife
10-099	Utility Knife
11-040	Blades (Qty. 10)
11-921	5 Heavy-Duty Utility Blades
11-987	10 Round Point Utility Blades
30010	6 Point Standard Inch Socket 3/8" Drive 5/16"
30010A	12 Point Standard Inch Socket 3/8" Drive 5/16"
30012	12 Point Standard Inch Socket 3/8" Drive 3/8"
30014	12 Point Standard Inch Socket 3/8" Drive 7/16"
30016	12 Point Standard Inch Socket 3/8" Drive 1/2"
30018	12 Point Standard Inch Socket 3/8" Drive 9/16"
30020	12 Point Standard Inch Socket 3/8" Drive 5/8"
30022	12 Point Standard Inch Socket 3/8" Drive 11/16"
30024	12 Point Standard Inch Socket 3/8" Drive 3/4"
30026	12 Point Standard Inch Socket 3/8" Drive 13/16"
30028	12 Point Standard Inch Socket 3/8" Drive 7/8"
300301	12 Point Standard Inch Socket 3/8" Drive 15/16"
300321	12 Point Standard Inch Socket 3/8" Drive 1"
30412	12 Point Deep Inch Socket 3/8" Drive 3/8"
30414	12 Point Deep Inch Socket 3/8" Drive 7/16"
30416	12 Point Deep Inch Socket 3/8" Drive 1/2"
30418	12 Point Deep Inch Socket 3/8" Drive 9/16"
30420	12 Point Deep Inch Socket 3/8" Drive 5/8"
30422	12 Point Deep Inch Socket 3/8" Drive 11/16"
30424	12 Point Deep Inch Socket 3/8" Drive 3/4"
30426	12 Point Deep Inch Socket 3/8" Drive 13/16"
30428	12 Point Deep Inch Socket 3/8" Drive 7/8"
30430	12 Point Deep Inch Socket 3/8" Drive 15/16"
30432	12 Point Deep Inch Socket 3/8" Drive 1"
30608	6 Point Standard Inch Socket 3/8" Drive 1/4"
30612	6 Point Standard Inch Socket 3/8" Drive 3/8"
30614	6 Point Standard Inch Socket 3/8" Drive 7/16"
30616	6 Point Standard Inch Socket 3/8" Drive 1/2"
30618	6 Point Standard Inch Socket 3/8" Drive 9/16"
30620	6 Point Standard Inch Socket 3/8" Drive 5/8"
30622	6 Point Standard Inch Socket 3/8" Drive 11/16"
30624	6 Point Standard Inch Socket 3/8" Drive 3/4"

Contents	Description
30626	6 Point Standard Inch Socket 3/8" Drive 13/16"
30628	6 Point Standard Inch Socket 3/8" Drive 7/8"
30630	6 Point Standard Inch Socket 3/8" Drive 15/16"
30632	6 Point Standard Inch Socket 3/8" Drive 1"
31108	8 Point Standard Inch Socket 3/8" Drive 1/4"
31110	8 Point Standard Inch Socket 3/8" Drive 5/16"
31112	8 Point Standard Inch Socket 3/8" Drive 3/8"
31114	8 Point Standard Inch Socket 3/8" Drive 7/16"
31116	8 Point Standard Inch Socket 3/8" Drive 1/2"
3114	Ignition Open-End Wrench 13/64"
3116	Ignition Open-End Wrench 7/32"
3118	Ignition Open-End Wrench 15/64"
3120	Ignition Open-End Wrench 1/4"
3122	Ignition Open-End Wrench 17/64"
3124	Ignition Open-End Wrench 9/32"
3128	Ignition Open-End Wrench 5/16"
3130	Ignition Open-End Wrench 11/32"
3132	Ignition Open-End Wrench 3/8"
3134	Ignition Open-End Wrench 7/16"
32007M	6 Point Standard Metric Socket 3/8" Drive 7 mm



MASTER SERIES



865 PIECE MASTER TOOL SET, *continued*

Item #: 970865

Contents	Description	Contents	Description
32008M	6 Point Standard Metric Socket 3/8" Drive 8 mm	40136	12 Point Standard Inch Socket 1/2" Drive 1-1/8"
32009M	6 Point Standard Metric Socket 3/8" Drive 9 mm	40138	12 Point Standard Inch Socket 1/2" Drive 1-3/16"
32010M	6 Point Standard Metric Socket 3/8" Drive 10 mm	40144A	12 Point Standard Inch Socket 1/2" Drive 1-1/2"
32011M	6 Point Standard Metric Socket 3/8" Drive 11 mm	4020P	Full Polish - Open-End Wrench Inch 1/4" x 5/16"
32012M	6 Point Standard Metric Socket 3/8" Drive 12 mm	40316	12 Point Deep Inch Socket 1/2" Drive 1/2"
32013M	6 Point Standard Metric Socket 3/8" Drive 13 mm	40318	12 Point Deep Inch Socket 1/2" Drive 9/16"
32014M	6 Point Standard Metric Socket 3/8" Drive 14 mm	40320	12 Point Deep Inch Socket 1/2" Drive 5/8"
32015M	6 Point Standard Metric Socket 3/8" Drive 15 mm	40320S	6 Point 1/2" Drive Spark Plug Socket 5/8"
32016M	6 Point Standard Metric Socket 3/8" Drive 16 mm	40322	12 Point Deep Inch Socket 1/2" Drive 11/16"
32017M	6 Point Standard Metric Socket 3/8" Drive 17 mm	40324	12 Point Deep Inch Socket 1/2" Drive 3/4"
32018M	6 Point Standard Metric Socket 3/8" Drive 18 mm	40326	12 Point Deep Inch Socket 1/2" Drive 13/16"
32019M	6 Point Standard Metric Socket 3/8" Drive 19 mm	40326S	6 Point 1/2" Drive Spark Plug Socket 13/16"
32020M	6 Point Standard Metric Socket 3/8" Drive 20 mm	40328	12 Point Deep Inch Socket 1/2" Drive 7/8"
32021M	6 Point Standard Metric Socket 3/8" Drive 21 mm	40330	12 Point Deep Inch Socket 1/2" Drive 15/16"
32022M	6 Point Standard Metric Socket 3/8" Drive 22 mm	40332	12 Point Deep Inch Socket 1/2" Drive 1"
33-212	PowerLock® Tape Rule 12'	40334	12 Point Deep Inch Socket 1/2" Drive 1-1/16"
34007M	12 Point Standard Metric Socket 3/8" Drive 7 mm	40336	12 Point Deep Inch Socket 1/2" Drive 1-1/8"
34008M	12 Point Standard Metric Socket 3/8" Drive 8 mm	40612	6 Point Standard Inch Socket 1/2" Drive 3/8"
34009M	12 Point Standard Metric Socket 3/8" Drive 9 mm	40614	6 Point Standard Inch Socket 1/2" Drive 7/16"
34010M	12 Point Standard Metric Socket 3/8" Drive 10 mm	40616	6 Point Standard Inch Socket 1/2" Drive 1/2"
34011M	12 Point Standard Metric Socket 3/8" Drive 11 mm	40618	6 Point Standard Inch Socket 1/2" Drive 9/16"
34012M	12 Point Standard Metric Socket 3/8" Drive 12 mm	40620	6 Point Standard Inch Socket 1/2" Drive 5/8"
34013M	12 Point Standard Metric Socket 3/8" Drive 13 mm	40622	6 Point Standard Inch Socket 1/2" Drive 11/16"
34014M	12 Point Standard Metric Socket 3/8" Drive 14 mm	40624	6 Point Standard Inch Socket 1/2" Drive 3/4"
34015M	12 Point Standard Metric Socket 3/8" Drive 15 mm	40626	6 Point Standard Inch Socket 1/2" Drive 13/16"
34016M	12 Point Standard Metric Socket 3/8" Drive 16 mm	40628	6 Point Standard Inch Socket 1/2" Drive 7/8"
34017M	12 Point Standard Metric Socket 3/8" Drive 17 mm	40630	6 Point Standard Inch Socket 1/2" Drive 15/16"
34018M	12 Point Standard Metric Socket 3/8" Drive 18 mm	40632	6 Point Standard Inch Socket 1/2" Drive 1"
34019M	12 Point Standard Metric Socket 3/8" Drive 19 mm	40634	6 Point Standard Inch Socket 1/2" Drive 1-1/16"
34020M	12 Point Standard Metric Socket 3/8" Drive 20 mm	40636	6 Point Standard Inch Socket 1/2" Drive 1-1/8"
34021M	12 Point Standard Inch Socket 3/8" Drive 21 mm	40640	6 Point Standard Inch Socket 1/2" Drive 1-1/4"
34022M	12 Point Standard Inch Socket 3/8" Drive 22 mm	40642A	6 Point Standard Inch Socket 1/2" Drive 1-1/2"
34960	1/4" Drive 1/4" x 3/8" Adapter	42010M	6 Point Standard Metric Socket 1/2" Drive 10 mm
34963	3/8" Drive 3/8" x 1/4" Adapter	42011M	6 Point Standard Metric Socket 1/2" Drive 11 mm
34965	1/2" Drive 1/2" x 3/8" Adapter	42012M	6 Point Standard Metric Socket 1/2" Drive 12 mm
34966	3/8" Drive 3/8" x 1/2" Adapter	42013M	6 Point Standard Metric Socket 1/2" Drive 13 mm
34984	3/8" Drive 11" Extension	42014M	6 Point Standard Metric Socket 1/2" Drive 14 mm
34987L	3/8" Drive Locking Extension 6"	42015M	12 Point Standard Metric Socket 1/2" Drive 15 mm
34988L	3/8" Drive Locking Extension 3"	42016M	12 Point Standard Metric Socket 1/2" Drive 16 mm
34989	3/8" Drive Extension 1-3/4"	42017M	12 Point Standard Metric Socket 1/2" Drive 17 mm
34993A	3/8" Drive Universal Joint	42018M	12 Point Standard Metric Socket 1/2" Drive 18 mm
40112	12 Point Standard Inch Socket 1/2" Drive 3/8"	42019M	12 Point Standard Metric Socket 1/2" Drive 19 mm
40116	12 Point Standard Inch Socket 1/2" Drive 1/2"	42020M	12 Point Standard Metric Socket 1/2" Drive 20 mm
40118	12 Point Standard Inch Socket 1/2" Drive 9/16"	42021M	12 Point Standard Metric Socket 1/2" Drive 21 mm
40120	12 Point Standard Inch Socket 1/2" Drive 5/8"	42022M	12 Point Standard Metric Socket 1/2" Drive 22 mm
40122	12 Point Standard Inch Socket 1/2" Drive 11/16"	42023M	12 Point Standard Metric Socket 1/2" Drive 23 mm
40124	12 Point Standard Inch Socket 1/2" Drive 3/4"	42024M	12 Point Standard Metric Socket 1/2" Drive 24 mm
40126	12 Point Standard Inch Socket 1/2" Drive 13/16"	42025M	12 Point Standard Metric Socket 1/2" Drive 25 mm
40128	12 Point Standard Inch Socket 1/2" Drive 7/8"	42026M	12 Point Standard Metric Socket 1/2" Drive 26 mm
40130	12 Point Standard Inch Socket 1/2" Drive 15/16"	42027M	12 Point Standard Metric Socket 1/2" Drive 27 mm
40132	12 Point Standard Inch Socket 1/2" Drive 1"	42028M	12 Point Standard Metric Socket 1/2" Drive 28 mm
40134	12 Point Standard Inch Socket 1/2" Drive 1-1/16"	42030M	12 Point Standard Metric Socket 1/2" Drive 30 mm



865 PIECE MASTER TOOL SET, *continued*

Item #: 970865

Contents	Description
43010M	12 Point Standard Metric Socket 1/2" Drive 10 mm
43011M	12 Point Standard Metric Socket 1/2" Drive 11 mm
43012M	12 Point Standard Metric Socket 1/2" Drive 12 mm
43013M	12 Point Standard Metric Socket 1/2" Drive 13 mm
43014M	12 Point Standard Metric Socket 1/2" Drive 14 mm
43015M	12 Point Standard Metric Socket 1/2" Drive 15 mm
43017M	6 Point Standard Metric Socket 1/2" Drive 17 mm
43019M	6 Point Standard Metric Socket 1/2" Drive 19 mm
43021M	6 Point Standard Metric Socket 1/2" Drive 21 mm
43022M	6 Point Standard Metric Socket 1/2" Drive 22 mm
43023M	6 Point Standard Metric Socket 1/2" Drive 23 mm
43024M	6 Point Standard Metric Socket 1/2" Drive 24 mm
43027M	6 Point Standard Metric Socket 1/2" Drive 27 mm
44012M	12 Point Deep Metric Socket 1/2" Drive 12 mm
44013M	12 Point Deep Metric Socket 1/2" Drive 13 mm
44014M	12 Point Deep Metric Socket 1/2" Drive 14 mm
44015M	12 Point Deep Metric Socket 1/2" Drive 15 mm
44016M	12 Point Deep Metric Socket 1/2" Drive 16 mm
44017M	12 Point Deep Metric Socket 1/2" Drive 17 mm
44018M	12 Point Deep Metric Socket 1/2" Drive 18 mm
44019M	12 Point Deep Metric Socket 1/2" Drive 19 mm
44020M	12 Point Deep Metric Socket 1/2" Drive 20 mm
44021M	12 Point Deep Metric Socket 1/2" Drive 21 mm
44022M	12 Point Deep Metric Socket 1/2" Drive 22 mm
44023M	12 Point Deep Metric Socket 1/2" Drive 23 mm
44024M	12 Point Deep Metric Socket 1/2" Drive 24 mm
44025M	12 Point Deep Metric Socket 1/2" Drive 25 mm
44026M	12 Point Deep Metric Socket 1/2" Drive 26 mm
44027M	12 Point Deep Metric Socket 1/2" Drive 27 mm
45010M	6 Point Deep Metric Socket 1/2" Drive 10 mm
45011M	6 Point Deep Metric Socket 1/2" Drive 11 mm
45012M	6 Point Deep Metric Socket 1/2" Drive 12 mm
45013M	6 Point Deep Metric Socket 1/2" Drive 13 mm
45014M	6 Point Deep Metric Socket 1/2" Drive 14 mm
45015M	6 Point Deep Metric Socket 1/2" Drive 15 mm
45016M	6 Point Deep Metric Socket 1/2" Drive 16 mm
45017M	6 Point Deep Metric Socket 1/2" Drive 17 mm
45018M	6 Point Deep Metric Socket 1/2" Drive 18 mm
45019M	6 Point Deep Metric Socket 1/2" Drive 19 mm
45020M	6 Point Deep Metric Socket 1/2" Drive 20 mm
45021M	6 Point Deep Metric Socket 1/2" Drive 21 mm
45022M	6 Point Deep Metric Socket 1/2" Drive 22 mm
45023M	6 Point Deep Metric Socket 1/2" Drive 23 mm
4723P	Full Polish - Open-End Wrench Inch 3/8" x 7/16"
4724P	Full Polish - Open-End Wrench Inch 7/16" x 1/2"
4725P	Full Polish - Open-End Wrench Inch 1/2" x 9/16"
4727P	Full Polish - Open-End Wrench Inch 5/8" x 11/16"
4728P	Full Polish - Open-End Wrench Inch 11/16" x 3/4"
4732P	Full Polish - Open-End Wrench Inch 13/16" x 7/8"
49964L	1/2" Drive Locking Extension 3"
49966L	1/2" Drive Locking Extension 6"
68-768	76 Piece Tap and Die Set

Contents	Description
9000H	1/4" Drive Hex Bit Holder
9000-TP10	Insert Bit Tamper-Resistant T10
9000-TP15	Insert Bit Tamper-Resistant T15
9000-TP20	Insert Bit Tamper-Resistant T20
9000-TP25	Insert Bit Tamper-Resistant T25
9000-TP27	Insert Bit Tamper-Resistant T27
940-JS	40 Piece Insert Bit Set
AW-1004-2	Adjustable Wrench - 4"
AW-1008-2	Adjustable Wrench - 8"
AW-1010-2	Adjustable Wrench - 10"
AW-1012-2	Adjustable Wrench - 12"
AW-1015-2	Adjustable Wrench - 15"
AW-1018-2	Adjustable Wrench - 18"
AW-1024-2	Adjustable Wrench - 24"
BP-1214QR	1/4" Drive Quick-Release Ratchet
BP-1338QR	3/8" Drive Quick-Release Ratchet
BP-1412QR	1/2" Drive Quick-Release Ratchet
BW-1106M	Satin Finish Combination Wrench 6mm - 12 Point
BW-1107M	Satin Finish Combination Wrench 7mm - 12 Point
BW-1108M	Satin Finish Combination Wrench 8mm - 12 Point
BW-1109M	Satin Finish Combination Wrench 9mm - 12 Point
BW-1110M	Satin Finish Combination Wrench 10mm - 12 Point
BW-1111M	Satin Finish Combination Wrench 11mm - 12 Point
BW-1112M	Satin Finish Combination Wrench 12mm - 12 Point
BW-1113M	Satin Finish Combination Wrench 13mm - 12 Point
BW-1114M	Satin Finish Combination Wrench 14mm - 12 Point
BW-1115M	Satin Finish Combination Wrench 15mm - 12 Point
BW-1116M	Satin Finish Combination Wrench 16mm - 12 Point
BW-1156	Satin Finish Combination Wrench 1/4" - 12 Point
BW-1159	Satin Finish Combination Wrench 5/16" - 12 Point
BW-1160	Satin Finish Combination Wrench 3/8" - 12 Point
BW-1161	Satin Finish Combination Wrench 7/16" - 12 Point
BW-1162	Satin Finish Combination Wrench 1/2" - 12 Point
BW-1163	Satin Finish Combination Wrench 9/16" - 12 Point
BW-1164	Satin Finish Combination Wrench 5/8" - 12 Point
BW-1165	Satin Finish Combination Wrench 11/16" - 12 Point
BW-1166	Satin Finish Combination Wrench 3/4" - 12 Point
BW-1306	XL Combination Ratcheting Wrench - 5/16"
BW-1308	XL Combination Ratcheting Wrench - 11/32"
BW-1308M	XL Combination Ratcheting Wrench - 8mm
BW-1309M	XL Combination Ratcheting Wrench - 9mm
BW-1310	XL Combination Ratcheting Wrench - 3/8"
BW-1310M	XL Combination Ratcheting Wrench - 10mm
BW-1311M	XL Combination Ratcheting Wrench - 11mm
BW-1312	XL Combination Ratcheting Wrench - 7/16"
BW-1312M	XL Combination Ratcheting Wrench - 12mm
BW-1313M	XL Combination Ratcheting Wrench - 13mm
BW-1314	XL Combination Ratcheting Wrench - 1/2"
BW-1314M	XL Combination Ratcheting Wrench - 14mm
BW-1315M	XL Combination Ratcheting Wrench - 15mm
BW-1316	XL Combination Ratcheting Wrench - 9/16"
BW-1316M	XL Combination Ratcheting Wrench - 16mm



865 PIECE MASTER TOOL SET, *continued*

Item #: 970865

Contents	Description
BW-1317M	XL Combination Ratcheting Wrench - 17mm
BW-1318	XL Combination Ratcheting Wrench - 5/8"
BW-1318M	XL Combination Ratcheting Wrench - 18mm
BW-1320	XL Combination Ratcheting Wrench - 11/16"
BW-1322	XL Combination Ratcheting Wrench - 3/4"
BW-1324	XL Combination Ratcheting Wrench - 13/16"
BW-1340M	4Box™ Ratcheting Wrench - 8, 9, 10, 11mm
BW-1341	4Box™ Ratcheting Wrench - 5/16, 3/8, 7/16, 1/2"
BW-1342M	4Box™ Ratcheting Wrench - 12, 13, 14, 15mm
BW-1343	4Box™ Ratcheting Wrench - 9/16, 5/8, 11/16, 3/4"
BW-1344M	4Box™ Ratcheting Wrench - 16, 17, 18, 19mm
BW-3209L	Locking Flex-Head Ratcheting Wrench 5/16"
BW-3210L	Locking Flex-Head Ratcheting Wrench 3/8"
BW-3212L	Locking Flex-Head Ratcheting Wrench 7/16"
BW-3214L	Locking Flex-Head Ratcheting Wrench 1/2"
BW-3216L	Locking Flex-Head Ratcheting Wrench 9/16"
BW-3218L	Locking Flex-Head Ratcheting Wrench 5/8"
BW-3220L	Locking Flex-Head Ratcheting Wrench 11/16"
BW-3222L	Locking Flex-Head Ratcheting Wrench 3/4"
BWE-1011MP	Full Polish - Open-End Wrench Metric 10 mm x 11 mm
BWE-1213MP	Full Polish - Open-End Wrench Metric 12 mm x 13 mm
BWE-1415MP	Full Polish - Open-End Wrench Metric 14 mm x 15 mm
BWE-1617MP	Full Polish - Open-End Wrench Metric 16 mm x 17 mm
BWE-1819MP	Full Polish - Open-End Wrench Metric 18 mm x 19 mm
BWE-2022MP	Full Polish - Open-End Wrench Metric 20 mm x 22 mm
BWE-67MP	Full Polish - Open-End Wrench Metric 6 mm x 7 mm
BWE-89MP	Full Polish - Open-End Wrench Metric 8 mm x 9 mm
CT-1003	Cold Chisel 5-1/4" Length, 3/8" Edge
CT-1004	Cold Chisel 5-1/2" Length, 7/16" Edge
CT-1006	Cold Chisel 6-1/2" Length, 5/8" Edge
CT-1008	Cold Chisel 7" Length, 3/4" Edge
CT-1010	Cold Chisel 7-1/2" Length, 7/8" Edge
CT-1108	Long Cold Chisel 3/4" Length, 12"
CT-1110	Long Cold Chisel 7/8" Length, 12"
CT-1156	Flat Cape Chisel
CT-1254	Diamond Point Chisel 5" Length, 3/16" Edge
CT-1303	Center Punch 5" Length, 5/32" Point
CT-1304	Center Punch 5-1/2" Length, 3/16" Point
CT-1306	Center Punch 6" Length, 1/4" Point
CT-1314	Scribing Punch 5" Length, 5/32"
CT-1404	Hand Punch 3/8" Length, 5"
CT-1453	Pin Punch 5" Length, 1/8" Point
CT-1454	Pin Punch 5 1/4" Length, 5/32" Point
CT-1456	Pin Punch 5 1/2" Length, 3/16" Point
CT-1464	Pin Punch 7" Length, 1/4" Point
CT-1466	Pin Punch 7" Length, 5/16" Point
CT-1554	Long Taper Punch 1/2" Length, 8-1/2"
CT-1556	Long Taper Punch 1/2" Length, 9"
DT-55	Screw Extractor Set
FN-1012MP	Flare Nut Wrench - Metric 10 mm x 12 mm
FN-1314MP	Flare Nut Wrench - Metric 13 mm x 14 mm
FN-1402P	Flare Nut Wrench - Inch 3/8" x 7/16"

Contents	Description
FN-1404P	Flare Nut Wrench - Inch 1/2" x 9/16"
FN-1406P	Flare Nut Wrench - Inch 5/8" x 11/16"
FN-911MP	Flare Nut Wrench - Metric 9 mm x 11 mm
FT-1124	10 Piece Hacksaw Blades
FT-1202	Adjustable Hacksaw Frame
GW-1208	8 Point Deep Inch Socket 1/4" Drive 1/4"
GW-1210	8 Point Deep Inch Socket 1/4" Drive 5/16"
GW-1212	8 Point Deep Inch Socket 1/4" Drive 3/8"
GW-1406	12 Point Deep Inch Socket 1/4" Drive 3/16"
GW-1407	12 Point Deep Inch Socket 1/4" Drive 7/32"
GW-1408	12 Point Deep Inch Socket 1/4" Drive 1/4"
GW-1409	12 Point Deep Inch Socket 1/4" Drive 9/32"
GW-1410	12 Point Deep Inch Socket 1/4" Drive 5/16"
GW-1411	12 Point Deep Inch Socket 1/4" Drive 11/32"
GW-1412	12 Point Deep Inch Socket 1/4" Drive 3/8"
GW-1414	12 Point Deep Inch Socket 1/4" Drive 7/16"
GW-1416	12 Point Deep Inch Socket 1/4" Drive 1/2"
GW-1506	6 Point Deep Inch Socket 1/4" Drive 3/16"
GW-1507	6 Point Deep Inch Socket 1/4" Drive 7/32"
GW-1508	6 Point Deep Inch Socket 1/4" Drive 1/4"
GW-1509	6 Point Deep Inch Socket 1/4" Drive 9/32"
GW-1510	6 Point Deep Inch Socket 1/4" Drive 5/16"
GW-1511	6 Point Deep Inch Socket 1/4" Drive 11/32"
GW-1512	6 Point Deep Inch Socket 1/4" Drive 3/8"
GW-1514	6 Point Deep Inch Socket 1/4" Drive 7/16"
GW-1516	6 Point Deep Inch Socket 1/4" Drive 1/2"
GW-1605	6 Point Standard Inch Socket 1/4" Drive 5/32"
GW-1605M	12 Point Deep Metric Socket 1/4" Drive 5 mm
GW-1606	6 Point Standard Inch Socket 1/4" Drive 3/16"
GW-1606M	12 Point Deep Metric Socket 1/4" Drive 6 mm
GW-1607	6 Point Standard Inch Socket 1/4" Drive 7/32"
GW-1607M	12 Point Deep Metric Socket 1/4" Drive 7 mm
GW-1608	6 Point Standard Inch Socket 1/4" Drive 1/4"
GW-1608M	12 Point Deep Metric Socket 1/4" Drive 8 mm
GW-1609	6 Point Standard Inch Socket 1/4" Drive 9/32"
GW-1609M	12 Point Deep Metric Socket 1/4" Drive 9 mm
GW-1610	6 Point Standard Inch Socket 1/4" Drive 5/16"
GW-1610M	12 Point Deep Metric Socket 1/4" Drive 10 mm
GW-1611	6 Point Standard Inch Socket 1/4" Drive 11/32"
GW-1611M	12 Point Deep Metric Socket 1/4" Drive 11 mm
GW-1612	6 Point Standard Inch Socket 1/4" Drive 3/8"
GW-1612M	12 Point Deep Metric Socket 1/4" Drive 12 mm
GW-1613M	12 Point Deep Metric Socket 1/4" Drive 13 mm
GW-1614	6 Point Standard Inch Socket 1/4" Drive 7/16"
GW-1616	6 Point Standard Inch Socket 1/4" Drive 1/2"
GW-1705	12 Point Standard Inch Socket 1/4" Drive 5/32"
GW-1706	12 Point Standard Inch Socket 1/4" Drive 3/16"
GW-1707	12 Point Standard Inch Socket 1/4" Drive 7/32"
GW-1708	12 Point Standard Inch Socket 1/4" Drive 1/4"
GW-1709	12 Point Standard Inch Socket 1/4" Drive 9/32"
GW-1710	12 Point Standard Inch Socket 1/4" Drive 5/16"
GW-1711	12 Point Standard Inch Socket 1/4" Drive 11/32"



865 PIECE MASTER TOOL SET, *continued*

Item #: 970865

Contents	Description
GW-1712	12 Point Standard Inch Socket 1/4" Drive 3/8"
GW-1714	12 Point Standard Inch Socket 1/4" Drive 7/16"
GW-1716	12 Point Standard Inch Socket 1/4" Drive 1/2"
GW-504M	6 Point Deep Metric Socket 1/4" Drive 4 mm
GW-505M	6 Point Deep Metric Socket 1/4" Drive 5 mm
GW-506M	6 Point Deep Metric Socket 1/4" Drive 6 mm
GW-507M	6 Point Deep Metric Socket 1/4" Drive 7 mm
GW-508M	6 Point Deep Metric Socket 1/4" Drive 8 mm
GW-509M	6 Point Deep Metric Socket 1/4" Drive 9 mm
GW-510M	6 Point Deep Metric Socket 1/4" Drive 10 mm
GW-511M	6 Point Deep Metric Socket 1/4" Drive 11 mm
GW-512M	6 Point Deep Metric Socket 1/4" Drive 12 mm
GW-513M	6 Point Deep Metric Socket 1/4" Drive 13 mm
GW-604M	6 Point Standard Metric Socket 1/4" Drive 4 mm
GW-605M	6 Point Standard Metric Socket 1/4" Drive 5 mm
GW-606M	6 Point Standard Metric Socket 1/4" Drive 6 mm
GW-607M	6 Point Standard Metric Socket 1/4" Drive 7 mm
GW-608M	6 Point Standard Metric Socket 1/4" Drive 8 mm
GW-609M	6 Point Standard Metric Socket 1/4" Drive 9 mm
GW-610M	6 Point Standard Metric Socket 1/4" Drive 10 mm
GW-611M	6 Point Standard Metric Socket 1/4" Drive 11 mm
GW-612M	6 Point Standard Metric Socket 1/4" Drive 12 mm
GW-613M	6 Point Standard Metric Socket 1/4" Drive 13 mm
GW-645M	6 Point Standard Metric Socket 1/4" Drive 4.5 mm
GW-655M	6 Point Standard Metric Socket 1/4" Drive 5.5 mm
GW-705M	12 Point Standard Metric Socket 1/4" Drive 5 mm
GW-755M	12 Point Standard Metric Socket 1/4" Drive 5.5 mm
GW-706M	12 Point Standard Metric Socket 1/4" Drive 6 mm
GW-707M	12 Point Standard Metric Socket 1/4" Drive 7 mm
GW-708M	12 Point Standard Metric Socket 1/4" Drive 8 mm
GW-709M	12 Point Standard Metric Socket 1/4" Drive 9 mm
GW-710M	12 Point Standard Metric Socket 1/4" Drive 10 mm
GW-711M	12 Point Standard Metric Socket 1/4" Drive 11 mm
GW-712M	12 Point Standard Metric Socket 1/4" Drive 12 mm
GW-713M	12 Point Standard Metric Socket 1/4" Drive 13 mm
GW-9545	1/4" Drive Flexible Spinner
GW-9898L	1/4" Drive Locking Extension 4"
GW-9899L	1/4" Drive Locking Extension 6"
HT-1005-1	Ball Pein Hammer 16 oz
HT-1452-1	Soft Face Hammer 16oz.
HW-1507M	6 Point Deep Metric Socket 3/8" Drive 7 mm
HW-1508M	6 Point Deep Metric Socket 3/8" Drive 8 mm
HW-1509M	6 Point Deep Metric Socket 3/8" Drive 9 mm
HW-1510	6 Point Deep Inch Socket 3/8" Drive 5/16"
HW-1510M	6 Point Deep Metric Socket 3/8" Drive 10 mm
HW-1511M	6 Point Deep Metric Socket 3/8" Drive 11 mm
HW-1512	6 Point Deep Inch Socket 3/8" Drive 3/8"
HW-1512M	6 Point Deep Metric Socket 3/8" Drive 12 mm
HW-1513M	6 Point Deep Metric Socket 3/8" Drive 13 mm
HW-1514	6 Point Deep Inch Socket 3/8" Drive 7/16"
HW-1514M	6 Point Deep Metric Socket 3/8" Drive 14 mm
HW-1515M	6 Point Deep Metric Socket 3/8" Drive 15 mm

Contents	Description
HW-1516	6 Point Deep Inch Socket 3/8" Drive 1/2"
HW-1517M	6 Point Deep Metric Socket 3/8" Drive 17 mm
HW-1518	6 Point Deep Inch Socket 3/8" Drive 9/16"
HW-1518M	6 Point Deep Metric Socket 3/8" Drive 18 mm
HW-1519M	6 Point Deep Metric Socket 3/8" Drive 19 mm
HW-1520	6 Point Deep Inch Socket 3/8" Drive 5/8"
HW-1520S	3/8" Drive Spark Plug Socket 5/8"
HW-1522	6 Point Deep Inch Socket 3/8" Drive 11/16"
HW-1524	6 Point Deep Inch Socket 3/8" Drive 3/4"
HW-1526	6 Point Deep Inch Socket 3/8" Drive 13/16"
HW-1526S	3/8" Drive Spark Plug Socket 13/16"
HW-1528	6 Point Deep Inch Socket 3/8" Drive 7/8"
HW-1530	6 Point Deep Inch Socket 3/8" Drive 15/16"
HW-1532	6 Point Deep Inch Socket 3/8" Drive 1"
HW-1607M	12 Point Deep Metric Socket 3/8" Drive 7 mm
HW-1608M	12 Point Deep Metric Socket 3/8" Drive 8 mm
HW-1609M	12 Point Deep Metric Socket 3/8" Drive 9 mm
HW-1610M	12 Point Deep Metric Socket 3/8" Drive 10 mm
HW-1611M	12 Point Deep Metric Socket 3/8" Drive 11 mm
HW-1612M	12 Point Deep Metric Socket 3/8" Drive 12 mm
HW-1613M	12 Point Deep Metric Socket 3/8" Drive 13 mm
HW-1614M	12 Point Deep Metric Socket 3/8" Drive 14 mm
HW-1615M	12 Point Deep Metric Socket 3/8" Drive 15 mm
HW-1616M	12 Point Deep Metric Socket 3/8" Drive 16 mm
HW-1617M	12 Point Deep Metric Socket 3/8" Drive 17 mm
HW-1618M	12 Point Deep Metric Socket 3/8" Drive 18 mm
HW-1619M	12 Point Deep Metric Socket 3/8" Drive 19 mm
HW-9404M-2	3/8" Drive Hex Bit Socket - 4 mm
HW-9405M-2	3/8" Drive Hex Bit Socket - 5 mm
HW-9406M-2	3/8" Drive Hex Bit Socket - 6 mm
HW-9407M-2	3/8" Drive Hex Bit Socket - 7 mm
HW-9408M-2	3/8" Drive Hex Bit Socket - 8 mm
HW-9410M-2	3/8" Drive Hex Bit Socket - 10 mm
HW-9442-2	3/8" Drive Hex Bit Socket - 1/8"
HW-9443-2	3/8" Drive Hex Bit Socket - 9/64"
HW-9444-2	3/8" Drive Hex Bit Socket - 5/32"
HW-9445-2	3/8" Drive Hex Bit Socket - 3/8"
HW-9446-2	3/8" Drive Hex Bit Socket - 5/16"
HW-9447-2	3/8" Drive Hex Bit Socket - 1/4"
HW-9448-2	3/8" Drive Hex Bit Socket - 7/32"
HW-9449-2	3/8" Drive Hex Bit Socket - 3/16"
HW-9450-2	3/8" Drive Phillips® Bit Socket - #1
HW-9451-2	3/8" Drive Phillips® Bit Socket - #2
HW-9452-2	3/8" Drive Phillips® Bit Socket - #3
HW-9453-2	3/8" Drive Phillips® Bit Socket - #4
HW-9504-2	3/8" Drive Slotted Bit Socket - 3/16"
HW-9505-2	3/8" Drive Slotted Bit Socket - 1/4"
HW-9506-2	3/8" Drive Slotted Bit Socket - 5/16"
HW-9606-2	1/2" Drive Hex Bit Socket - 5/16"
HW-9607-2	1/2" Drive Hex Bit Socket - 3/8"
HW-9608-2	1/2" Drive Hex Bit Socket - 7/16"
HW-9609-2	1/2" Drive Hex Bit Socket - 1/2"



865 PIECE MASTER TOOL SET, *continued*

Item #: 970865

Contents	Description
HW-9610-2	1/2" Drive Hex Bit Socket - 9/16"
HW-9611-2	1/2" Drive Hex Bit Socket - 5/8"
HW-9612-2	1/2" Drive Hex Bit Socket - 3/4"
J380	Retaining Ring Pliers Set with Replacement Tips
MT-1021A	6 Wire High-Energy Feeler Gauge
MT-1022	22 Blade Go-No-Go Ignition Feeler Gauges
MT-1040-1	Regular Spark Plug Wire Gauge
MT-1049	25 Blade All-Purpose Feeler Gauge
PT-1003-2	8" Slip Joint Pliers
PT-1050-2	Wire Stripper
PT-1052-2	6" Diagonal Cutting Pliers
PT-1057-2	7" Diagonal Cutting Pliers - Heavy Duty
PT-1105-2	5" Curved Jaw Locking Pliers
PT-1107-2	7" Curved Jaw Locking Pliers
PT-1107S	7" Flat Jaw Locking Pliers
PT-1108-2	9" Linemans Pliers
PT-1110-2	10" Curved Jaw Locking Pliers
PT-1128-2	6" Needle Nose Cutting Pliers - Heavy Duty
PT-1130-2	6" End Nipper Pliers
PT-1149-2	6" Curved Needle Nose Pliers
PT-1153-2	4" Precision Diagonal Cutting Pliers
PT-1154-2	5" Precision Needle Nose Pliers
PT-1206L	6" Long Nose Locking Pliers - Quick Release
PT-1207	7" Curved Jaw Locking Pliers - Quick Release
PT-1210	10" Curved Jaw Locking Pliers - Quick Release
9000R-2	7 Bit Ratcheting Screwdriver
PT-1250-2	10" Rib Lock Pliers
PT-1257-2	Long Reach 45 Degree Bent Nose Pliers
PT-1258-2	Long Reach Needle Nose Pliers
PT-1263-2	8" Rib Lock Pliers
PT-1287	External Retaining Ring Pliers
PT-1288	Internal Retaining Ring Pliers
ST-1048S	Electrician's Slotted Tip Screwdriver 8" Blade, 3/16" Tip
ST-1183	Offset Screwdriver 3/16"
ST-1184	Offset Screwdriver 3/16"
ST-1185	Offset Screwdriver 1/4"
ST-1214	Spark Detector Screwdriver
ST-1250	Inspection Mirror
ST-252C	3/32" Cabinet Screwdriver - 2" Blade
ST-303S	1/8" Slotted Screwdriver - 3" Blade
ST-353C	9/64" Cabinet Screwdriver - 3" Blade
ST-404S	5/32" Slotted Screwdriver - 4" Blade
ST-555C	3/16" Cabinet Screwdriver - 5" Blade
ST-555S	7/32" Slotted Screwdriver - 5" Blade
ST-655S	1/4" Slotted Screwdriver - 5" Blade
ST-656C	1/4" Cabinet Screwdriver - 6" Blade
ST-65SH	1/4" Slotted Stubby Screwdriver - 1-1/4" Blade
ST-800	Nut Driver Inch 3/16"
ST-801	Nut Driver Inch 9/32"
ST-803	Nut Driver Inch 1/4"
ST-806	Nut Driver Inch 5/16"
ST-807S	5/16" Slotted Screwdriver - 7" Blade

Contents	Description
ST-809	Nut Driver Inch 11/32"
ST-812	Nut Driver Inch 3/8"
ST-815	Nut Driver Inch 7/16"
ST-818	Nut Driver Inch 1/2"
ST-904M	Nut Driver Metric 4 mm
ST-905M	Nut Driver Metric 5 mm
ST-907M	Nut Driver Metric 7 mm
ST-908M	Nut Driver Metric 8 mm
ST-909M	Nut Driver Metric 9 mm
ST-910M	Nut Driver Metric 10 mm
ST-911M	Nut Driver Metric 11 mm
ST-912M	Nut Driver Metric 12 mm
ST-955M	Nut Driver Metric 5.5 mm
ST-PH00-2	#00 Phillips® Screwdriver - 2" Blade
ST-PH1-4	#1 Phillips® Screwdriver - 4" Blade
ST-PH2-5	#2 Phillips® Screwdriver - 5" Blade
ST-PH2-SH	#2 Phillips® Stubby Screwdriver - 1-1/4" Blade
ST-PH3-6B	#3 Phillips® Screwdriver - 6" Blade
ST-PH4-8B	#4 Phillips® Screwdriver - 8" Blade
ST-SS1	1/4" Drive Socket Spinner
ST-T10-3	T10 Torx® Screwdriver - 3" Blade
ST-T15-3	T15 Torx® Screwdriver - 3" Blade
ST-T20-4	T20 Torx® Screwdriver - 4" Blade
ST-T25-4	T25 Torx® Screwdriver - 4" Blade
ST-T27-4	T27 Torx® Screwdriver - 4" Blade
ST-T30-5	T30 Torx® Screwdriver - 5" Blade
ST-T40-5	T40 Torx® Screwdriver - 5" Blade
ST-T6-2	T6 Torx® Screwdriver - 2" Blade
ST-T7-2	T7 Torx® Screwdriver - 2" Blade
ST-T8-2	T8 Torx® Screwdriver - 2" Blade
ST-T9-3	T9 Torx® Screwdriver - 3" Blade
ST-TT10-3	T10 Tamper Torx® Screwdriver - 3" Blade
ST-TT15-3	T15 Tamper Torx® Screwdriver - 3" Blade
ST-TT20-4	T20 Tamper Torx® Screwdriver - 4" Blade
ST-TT25-4	T25 Tamper Torx® Screwdriver - 4" Blade
ST-TT27-4	T27 Tamper Torx® Screwdriver - 4" Blade
ST-TT30-5	T30 Tamper Torx® Screwdriver - 5" Blade
ST-TT40-5	T40 Tamper Torx® Screwdriver - 5" Blade
TR-3210-2	1/4" Drive T10 Tamper Torx® Impact Socket
TR-3215-2	1/4" Drive T15 Tamper Torx® Impact Socket
TR-3220-2	1/4" Drive T20 Tamper Torx® Impact Socket
TR-3225-2	1/4" Drive T25 Tamper Torx® Impact Socket
TR-3227-2	1/4" Drive T27 Tamper Torx® Impact Socket
TR-3230-2	1/4" Drive T30 Tamper Torx® Impact Socket
TS-1209-2	1/4" Drive T9 Torx® Impact Socket
TS-1210-2	1/4" Drive T10 Torx® Impact Socket
TS-1215-2	1/4" Drive T15 Torx® Impact Socket
TS-1220-2	1/4" Drive T20 Torx® Impact Socket
TS-1225-2	1/4" Drive T25 Torx® Impact Socket
TS-1227-2	1/4" Drive T27 Torx® Impact Socket
TS-1230-2	1/4" Drive T30 Torx® Impact Socket
TS-1340-2	3/8" Drive T40 Torx® Impact Socket

MASTER SETS



865 PIECE MASTER TOOL SET, *continued*

Item #: 970865

Contents	Description
TS-1345-2	3/8" Drive T45 Torx® Impact Socket
TS-1347-2	3/8" Drive T47 Torx® Impact Socket
TS-1350-2	3/8" Drive T50 Torx® Impact Socket
TS-2204-2	1/4" Drive E4 External Torx® Socket
TS-2205-2	1/4" Drive E5 External Torx® Socket
TS-2206-2	1/4" Drive E6 External Torx® Socket
TS-2207-2	1/4" Drive E7 External Torx® Socket
TS-2208-2	1/4" Drive E8 External Torx® Socket
TS-2310-2	3/8" Drive E10 External Torx® Socket
TS-2312-2	3/8" Drive E12 External Torx® Socket
TS-2314-2	3/8" Drive E14 External Torx® Socket
TS-2316-2	3/8" Drive E16 External Torx® Socket
U-1508-2	3/8" Drive 1/4" Impact Socket - 6 Point
U-1508M-2	3/8" Drive 8mm Impact Socket - 6 Point
U-1509M-2	3/8" Drive 9mm Impact Socket - 6 Point
U-1510-2	3/8" Drive 5/16" Impact Socket - 6 Point
U-1510M-2	3/8" Drive 10mm Impact Socket - 6 Point
U-1512-2	3/8" Drive 3/8" Impact Socket - 6 Point
U-1512M-2	3/8" Drive 12mm Impact Socket - 6 Point
U-1513M-2	3/8" Drive 13mm Impact Socket - 6 Point
U-1514-2	3/8" Drive 7/16" Impact Socket - 6 Point
U-1514M-2	3/8" Drive 14mm Impact Socket - 6 Point
U-1515M-2	3/8" Drive 15mm Impact Socket - 6 Point
U-1516-2	3/8" Drive 1/2" Impact Socket - 6 Point
U-1517M-2	3/8" Drive 17mm Impact Socket - 6 Point
U-1518-2	3/8" Drive 9/16" Impact Socket - 6 Point
U-1518M-2	3/8" Drive 18mm Impact Socket - 6 Point
U-1519M-2	3/8" Drive 19mm Impact Socket - 6 Point
U-1520-2	3/8" Drive 5/8" Impact Socket - 6 Point
U-1522-2	3/8" Drive 11/16" Impact Socket - 6 Point
U-1524-2	3/8" Drive 3/4" Impact Socket - 6 Point
U-1608M-2	3/8" Drive 8mm Deep Impact Socket - 6 Point
U-1609M-2	3/8" Drive 9mm Deep Impact Socket - 6 Point
U-1610-2	3/8" Drive 5/16" Deep Impact Socket - 6 Point
U-1610M-2	3/8" Drive 10mm Deep Impact Socket - 6 Point
U-1611M-2	3/8" Drive 11mm Deep Impact Socket - 6 Point
U-1612-2	3/8" Drive 3/8" Deep Impact Socket - 6 Point
U-1612M-2	3/8" Drive 12mm Deep Impact Socket - 6 Point
U-1613M-2	3/8" Drive 13mm Deep Impact Socket - 6 Point
U-1614-2	3/8" Drive 7/16" Deep Impact Socket - 6 Point
U-1614M-2	3/8" Drive 14mm Deep Impact Socket - 6 Point
U-1615M-2	3/8" Drive 15mm Deep Impact Socket - 6 Point
U-1616-2	3/8" Drive 1/2" Deep Impact Socket - 6 Point
U-1616M-2	3/8" Drive 16mm Deep Impact Socket - 6 Point
U-1617M-2	3/8" Drive 17mm Deep Impact Socket - 6 Point
U-1618-2	3/8" Drive 9/16" Deep Impact Socket - 6 Point
U-1618M-2	3/8" Drive 18mm Deep Impact Socket - 6 Point
U-1619M-2	3/8" Drive 19mm Deep Impact Socket - 6 Point
U-1620-2	3/8" Drive 5/8" Deep Impact Socket - 6 Point
U-1622-2	3/8" Drive 11/16" Deep Impact Socket - 6 Point
U-1624-2	3/8" Drive 3/4" Deep Impact Socket - 6 Point
UW-1516-2	1/2" Drive 1/2" Deep Impact Socket - 6 Point

Contents	Description
UW-1518-2	1/2" Drive 9/16" Deep Impact Socket - 6 Point
UW-1520-2	1/2" Drive 5/8" Deep Impact Socket - 6 Point
UW-1522-2	1/2" Drive 11/16" Deep Impact Socket - 6 Point
UW-1524-2	1/2" Drive 3/4" Deep Impact Socket - 6 Point
UW-1526-2	1/2" Drive 13/16" Deep Impact Socket - 6 Point
UW-1528-2	1/2" Drive 7/8" Deep Impact Socket - 6 Point
UW-1530-2	1/2" Drive 15/16" Deep Impact Socket - 6 Point
UW-1532-2	1/2" Drive 1" Deep Impact Socket - 6 Point
UW-1534-2	1/2" Drive 1-1/16" Deep Impact Socket - 6 Point
UW-1612-2	1/2" Drive 3/8" Impact Socket - 6 Point
UW-1614-2	1/2" Drive 7/16" Impact Socket - 6 Point
UW-1616-2	1/2" Drive 1/2" Impact Socket - 6 Point
UW-1618-2	1/2" Drive 9/16" Impact Socket - 6 Point
UW-1620-2	1/2" Drive 5/8" Impact Socket - 6 Point
UW-1622-2	1/2" Drive 11/16" Impact Socket - 6 Point
UW-1624-2	1/2" Drive 3/4" Impact Socket - 6 Point
UW-1626-2	1/2" Drive 13/16" Impact Socket - 6 Point
UW-1628-2	1/2" Drive 7/8" Impact Socket - 6 Point
UW-1630-2	1/2" Drive 15/16" Impact Socket - 6 Point
UW-1632-2	1/2" Drive 1" Impact Socket - 6 Point
UW-1634-2	1/2" Drive 1-1/16" Impact Socket - 6 Point
UW-24-2	1/2" Drive Impact Extension - 5"
UW-30-2	1/2" Drive Impact Extension - 3"
UW-510M-2	1/2" Drive 10mm Deep Impact Socket - 6 Point
UW-511M-2	1/2" Drive 11mm Deep Impact Socket - 6 Point
UW-512M-2	1/2" Drive 12mm Deep Impact Socket - 6 Point
UW-513M-2	1/2" Drive 13mm Deep Impact Socket - 6 Point
UW-514M-2	1/2" Drive 14mm Deep Impact Socket - 6 Point
UW-515M-2	1/2" Drive 15mm Deep Impact Socket - 6 Point
UW-516M-2	1/2" Drive 16mm Deep Impact Socket - 6 Point
UW-517M-2	1/2" Drive 17mm Deep Impact Socket - 6 Point
UW-518M-2	1/2" Drive 18mm Deep Impact Socket - 6 Point
UW-519M-2	1/2" Drive 19mm Deep Impact Socket - 6 Point
UW-520M-2	1/2" Drive 20mm Deep Impact Socket - 6 Point
UW-610M-2	1/2" Drive 10mm Impact Socket - 6 Point
UW-611M-2	1/2" Drive 11mm Impact Socket - 6 Point
UW-612M-2	1/2" Drive 12mm Impact Socket - 6 Point
UW-613M-2	1/2" Drive 13mm Impact Socket - 6 Point
UW-614M-2	1/2" Drive 14mm Impact Socket - 6 Point
UW-615M-2	1/2" Drive 15mm Impact Socket - 6 Point
UW-616M-2	1/2" Drive 16mm Impact Socket - 6 Point
UW-617M-2	1/2" Drive 17mm Impact Socket - 6 Point
UW-618M-2	1/2" Drive 18mm Impact Socket - 6 Point
ZT-1111	Carbon Scraper
ZT-1112	Degreasing Scraper
ZT-1300	Heavy-Duty Knot End Cleaning Brush
ZT-1301	Carbon Cleaning End Brush
ZT-1310	Steel Wire Scratch Brush
ZT-1312	Heavy-Duty Scratch Brush With Scraper
ZW-53	13 Piece Standard Hex Wrench Set
ZW-59	13 Piece Standard Long Hex Key Wrench Set
ZW-69	9 Piece Metric Hex Key Wrench Set



760 PIECE MASTER TOOL SET

Item #: 970760

421 - Sockets & Accessories

155 - Miscellaneous Tools

35 - Pliers

35 - Screwdrivers

23 - Striking & Struck

91 - Wrenches

• 1/4", 3/8", 1/2", & 3/4" Drives with Ratchets

• Chrome and Impact Sockets

• Standard and Metric Sizing

• Wrenches: Ignition; Open-Ended; Flare Nut;

Combination – Fixed, Ratcheting, XL Combination Ratcheting, Reversible Ratcheting;

Double Box-End - Fixed; Adjustable

• Weight (lbs): 162.09





760 PIECE MASTER TOOL SET, *continued*

Item #: 970760

Contents	Description
10-099	Utility Knife
30010A	12 Point Standard Inch Socket 3/8" Drive 5/16"
30012	12 Point Standard Inch Socket 3/8" Drive 3/8"
30014	12 Point Standard Inch Socket 3/8" Drive 7/16"
30016	12 Point Standard Inch Socket 3/8" Drive 1/2"
30018	12 Point Standard Inch Socket 3/8" Drive 9/16"
30020	12 Point Standard Inch Socket 3/8" Drive 5/8"
30022	12 Point Standard Inch Socket 3/8" Drive 11/16"
30024	12 Point Standard Inch Socket 3/8" Drive 3/4"
30026	12 Point Standard Inch Socket 3/8" Drive 13/16"
30028	12 Point Standard Inch Socket 3/8" Drive 7/8"
30320SA	3/8" Drive Flex Spark Plug Socket
30412	12 Point Deep Inch Socket 3/8" Drive 3/8"
30414	12 Point Deep Inch Socket 3/8" Drive 7/16"
30416	12 Point Deep Inch Socket 3/8" Drive 1/2"
30418	12 Point Deep Inch Socket 3/8" Drive 9/16"
30420	12 Point Deep Inch Socket 3/8" Drive 5/8"
30422	12 Point Deep Inch Socket 3/8" Drive 11/16"
30424	12 Point Deep Inch Socket 3/8" Drive 3/4"
30426	12 Point Deep Inch Socket 3/8" Drive 13/16"
30428	12 Point Deep Inch Socket 3/8" Drive 7/8"
30430	12 Point Deep Inch Socket 3/8" Drive 15/16"
30432	12 Point Deep Inch Socket 3/8" Drive 1"
30612	6 Point Standard Inch Socket 3/8" Drive 3/8"
30614	6 Point Standard Inch Socket 3/8" Drive 7/16"
30616	6 Point Standard Inch Socket 3/8" Drive 1/2"
30618	6 Point Standard Inch Socket 3/8" Drive 9/16"
30620	6 Point Standard Inch Socket 3/8" Drive 5/8"
30622	6 Point Standard Inch Socket 3/8" Drive 11/16"
30624	6 Point Standard Inch Socket 3/8" Drive 3/4"
30626	6 Point Standard Inch Socket 3/8" Drive 13/16"
30628	6 Point Standard Inch Socket 3/8" Drive 7/8"
30630	6 Point Standard Inch Socket 3/8" Drive 15/16"
30632	6 Point Standard Inch Socket 3/8" Drive 1"
31108	8 Point Standard Inch Socket 3/8" Drive 1/4"
31110	8 Point Standard Inch Socket 3/8" Drive 5/16"
31112	8 Point Standard Inch Socket 3/8" Drive 3/8"
31114	8 Point Standard Inch Socket 3/8" Drive 7/16"
31116	8 Point Standard Inch Socket 3/8" Drive 1/2"
3114	Ignition Open-End Wrench 13/64"
3116	Ignition Open-End Wrench 7/32"
3118	Ignition Open-End Wrench 15/64"
3120	Ignition Open-End Wrench 1/4"
3122	Ignition Open-End Wrench 17/64"
3124	Ignition Open-End Wrench 9/32"
3128	Ignition Open-End Wrench 5/16"
3130	Ignition Open-End Wrench 11/32"
3132	Ignition Open-End Wrench 3/8"
3134	Ignition Open-End Wrench 7/16"
32007M	6 Point Standard Metric Socket 3/8" Drive 7 mm
32008M	6 Point Standard Metric Socket 3/8" Drive 8 mm
32009M	6 Point Standard Metric Socket 3/8" Drive 9 mm

Contents	Description
32010M	6 Point Standard Metric Socket 3/8" Drive 10 mm
32011M	6 Point Standard Metric Socket 3/8" Drive 11 mm
32012M	6 Point Standard Metric Socket 3/8" Drive 12 mm
32013M	6 Point Standard Metric Socket 3/8" Drive 13 mm
32014M	6 Point Standard Metric Socket 3/8" Drive 14 mm
32015M	6 Point Standard Metric Socket 3/8" Drive 15 mm
32016M	6 Point Standard Metric Socket 3/8" Drive 16 mm
32017M	6 Point Standard Metric Socket 3/8" Drive 17 mm
32018M	6 Point Standard Metric Socket 3/8" Drive 18 mm
32019M	6 Point Standard Metric Socket 3/8" Drive 19 mm
32020M	6 Point Standard Metric Socket 3/8" Drive 20 mm
32021M	6 Point Standard Metric Socket 3/8" Drive 21 mm
33-212	PowerLock® Tape Rule 12'
34007M	12 Point Standard Metric Socket 3/8" Drive 7 mm
34008M	12 Point Standard Metric Socket 3/8" Drive 8 mm
34009M	12 Point Standard Metric Socket 3/8" Drive 9 mm
34010M	12 Point Standard Metric Socket 3/8" Drive 10 mm
34011M	12 Point Standard Metric Socket 3/8" Drive 11 mm
34012M	12 Point Standard Metric Socket 3/8" Drive 12 mm
34013M	12 Point Standard Metric Socket 3/8" Drive 13 mm
34014M	12 Point Standard Metric Socket 3/8" Drive 14 mm
34015M	12 Point Standard Metric Socket 3/8" Drive 15 mm
34016M	12 Point Standard Metric Socket 3/8" Drive 16 mm
34017M	12 Point Standard Metric Socket 3/8" Drive 17 mm
34018M	12 Point Standard Metric Socket 3/8" Drive 18 mm
34019M	12 Point Standard Metric Socket 3/8" Drive 19 mm
34020M	12 Point Standard Metric Socket 3/8" Drive 20 mm
34021M	12 Point Standard Inch Socket 3/8" Drive 21 mm
34022M	12 Point Standard Inch Socket 3/8" Drive 22 mm
34960	1/4" Drive 1/4" x 3/8" Adapter
34963	3/8" Drive 3/8" x 1/4" Adapter
34965	1/2" Drive 1/2" x 3/8" Adapter
34983	3/8" Drive Extension 19"
34987L	3/8" Drive Locking Extension 6"
34988L	3/8" Drive Locking Extension 3"
34989	3/8" Drive Extension 1-3/4"
40112	12 Point Standard Inch Socket 1/2" Drive 3/8"
40114	12 Point Standard Inch Socket 1/2" Drive 7/16"
40116	12 Point Standard Inch Socket 1/2" Drive 1/2"
40118	12 Point Standard Inch Socket 1/2" Drive 9/16"
40120	12 Point Standard Inch Socket 1/2" Drive 5/8"
40122	12 Point Standard Inch Socket 1/2" Drive 11/16"
40124	12 Point Standard Inch Socket 1/2" Drive 3/4"
40126	12 Point Standard Inch Socket 1/2" Drive 13/16"
40128	12 Point Standard Inch Socket 1/2" Drive 7/8"
40130	12 Point Standard Inch Socket 1/2" Drive 15/16"
40132	12 Point Standard Inch Socket 1/2" Drive 1"
40134	12 Point Standard Inch Socket 1/2" Drive 1-1/16"
40136	12 Point Standard Inch Socket 1/2" Drive 1-1/8"
40138	12 Point Standard Inch Socket 1/2" Drive 1-3/16"
40140	12 Point Standard Inch Socket 1/2" Drive 1-1/4"
4020P	Full Polish - Open-End Wrench Inch 1/4" x 5/16"



760 PIECE MASTER TOOL SET, *continued*

Item #: 970760

Contents	Description
40316	12 Point Deep Inch Socket 1/2" Drive 1/2"
40318	12 Point Deep Inch Socket 1/2" Drive 9/16"
40320	12 Point Deep Inch Socket 1/2" Drive 5/8"
40320S	6 Point 1/2" Drive Spark Plug Socket 5/8"
40322	12 Point Deep Inch Socket 1/2" Drive 11/16"
40324	12 Point Deep Inch Socket 1/2" Drive 3/4"
40326	12 Point Deep Inch Socket 1/2" Drive 13/16"
40326S	6 Point 1/2" Drive Spark Plug Socket 13/16"
40328	12 Point Deep Inch Socket 1/2" Drive 7/8"
40330	12 Point Deep Inch Socket 1/2" Drive 15/16"
40332	12 Point Deep Inch Socket 1/2" Drive 1"
40416	6 Point Deep Inch Socket 1/2" Drive 1/2"
40418	6 Point Deep Inch Socket 1/2" Drive 9/16"
40420	6 Point Deep Inch Socket 1/2" Drive 5/8"
40422	6 Point Deep Inch Socket 1/2" Drive 11/16"
40424	6 Point Deep Inch Socket 1/2" Drive 3/4"
40426	6 Point Deep Inch Socket 1/2" Drive 13/16"
40428	6 Point Deep Inch Socket 1/2" Drive 7/8"
40430	6 Point Deep Inch Socket 1/2" Drive 15/16"
40432	6 Point Deep Inch Socket 1/2" Drive 1"
40612	6 Point Standard Inch Socket 1/2" Drive 3/8"
40614	6 Point Standard Inch Socket 1/2" Drive 7/16"
40616	6 Point Standard Inch Socket 1/2" Drive 1/2"
40618	6 Point Standard Inch Socket 1/2" Drive 9/16"
40620	6 Point Standard Inch Socket 1/2" Drive 5/8"
40622	6 Point Standard Inch Socket 1/2" Drive 11/16"
40624	6 Point Standard Inch Socket 1/2" Drive 3/4"
40626	6 Point Standard Inch Socket 1/2" Drive 13/16"
40628	6 Point Standard Inch Socket 1/2" Drive 7/8"
40630	6 Point Standard Inch Socket 1/2" Drive 15/16"
40632	6 Point Standard Inch Socket 1/2" Drive 1"
40634	6 Point Standard Inch Socket 1/2" Drive 1-1/16"
40636	6 Point Standard Inch Socket 1/2" Drive 1-1/8"
42010M	6 Point Standard Metric Socket 1/2" Drive 10 mm
42011M	6 Point Standard Metric Socket 1/2" Drive 11 mm
42012M	6 Point Standard Metric Socket 1/2" Drive 12 mm
42013M	6 Point Standard Metric Socket 1/2" Drive 13 mm
42014M	6 Point Standard Metric Socket 1/2" Drive 14 mm
42015M	12 Point Standard Metric Socket 1/2" Drive 15 mm
42017M	12 Point Standard Metric Socket 1/2" Drive 17 mm
42019M	12 Point Standard Metric Socket 1/2" Drive 19 mm
42021M	12 Point Standard Metric Socket 1/2" Drive 21 mm
42022M	12 Point Standard Metric Socket 1/2" Drive 22 mm
42023M	12 Point Standard Metric Socket 1/2" Drive 23 mm
42024M	12 Point Standard Metric Socket 1/2" Drive 24 mm
42027M	12 Point Standard Metric Socket 1/2" Drive 27 mm
43010M	12 Point Standard Metric Socket 1/2" Drive 10 mm
43011M	12 Point Standard Metric Socket 1/2" Drive 11 mm
43012M	12 Point Standard Metric Socket 1/2" Drive 12 mm
43013M	12 Point Standard Metric Socket 1/2" Drive 13 mm
43014M	12 Point Standard Metric Socket 1/2" Drive 14 mm
43015M	12 Point Standard Metric Socket 1/2" Drive 15 mm

Contents	Description
43017M	6 Point Standard Metric Socket 1/2" Drive 17 mm
43019M	6 Point Standard Metric Socket 1/2" Drive 19 mm
43021M	6 Point Standard Metric Socket 1/2" Drive 21 mm
43022M	6 Point Standard Metric Socket 1/2" Drive 22 mm
43023M	6 Point Standard Metric Socket 1/2" Drive 23 mm
43024M	6 Point Standard Metric Socket 1/2" Drive 24 mm
43027M	6 Point Standard Metric Socket 1/2" Drive 27 mm
44010M	12 Point Deep Metric Socket 1/2" Drive 10 mm
44011M	12 Point Deep Metric Socket 1/2" Drive 11 mm
44012M	12 Point Deep Metric Socket 1/2" Drive 12 mm
44013M	12 Point Deep Metric Socket 1/2" Drive 13 mm
44014M	12 Point Deep Metric Socket 1/2" Drive 14 mm
44015M	12 Point Deep Metric Socket 1/2" Drive 15 mm
44016M	12 Point Deep Metric Socket 1/2" Drive 16 mm
44017M	12 Point Deep Metric Socket 1/2" Drive 17 mm
44018M	12 Point Deep Metric Socket 1/2" Drive 18 mm
44019M	12 Point Deep Metric Socket 1/2" Drive 19 mm
44020M	12 Point Deep Metric Socket 1/2" Drive 20 mm
44021M	12 Point Deep Metric Socket 1/2" Drive 21 mm
44022M	12 Point Deep Metric Socket 1/2" Drive 22 mm
44023M	12 Point Deep Metric Socket 1/2" Drive 23 mm
44024M	12 Point Deep Metric Socket 1/2" Drive 24 mm
44025M	12 Point Deep Metric Socket 1/2" Drive 25 mm
44026M	12 Point Deep Metric Socket 1/2" Drive 26 mm
44027M	12 Point Deep Metric Socket 1/2" Drive 27 mm
4723P	Full Polish - Quick-Release Wrench Inch 3/8" x 7/16"
4724P	Full Polish - Open-End Wrench Inch 7/16" x 1/2"
4725P	Full Polish - Open-End Wrench Inch 1/2" x 9/16"
4727P	Full Polish - Open-End Wrench Inch 5/8" x 11/16"
4728P	Full Polish - Open-End Wrench Inch 11/16" x 3/4"
4732P	Full Polish - Open-End Wrench Inch 13/16" x 7/8"
49964L	1/2" Drive Locking Extension 3"
49966L	1/2" Drive Locking Extension 6"
49972	1/2" Drive Extension - 19"
49990L	1/2" Drive Locking Extension 10"
49991	3/4" Drive 3/4" x 1/2" Adapter
60026A	12 Point Standard Inch Socket 3/4" Drive 3/4"
60027A	12 Point Standard Inch Socket 3/4" Drive 13/16"
60028	12 Point Standard Inch Socket 3/4" Drive 7/8"
60030	12 Point Socket 3/4" Drive 15/16"
60032	12 Point Socket 3/4" Drive 1"
60034	12 Point Socket 3/4" Drive 1-1/16"
60036	12 Point Socket 3/4" Drive 1-1/8"
60038	12 Point Standard Inch Socket 3/4" Drive 1-3/16"
60040	12 Point Socket 3/4" Drive 1-1/4"
60042	12 Point Standard Inch Socket 3/4" Drive 1-5/6"
60044	12 Point Socket 3/4" Drive 1-3/8"
61019M	12 Point Standard Metric Socket 3/4" Drive 19 mm
61021M	12 Point Standard Metric Socket 3/4" Drive 21 mm
61022M	12 Point Standard Metric Socket 3/4" Drive 22 mm
61023M	12 Point Standard Metric Socket 3/4" Drive 23 mm
61024M	12 Point Standard Metric Socket 3/4" Drive 24 mm





760 PIECE MASTER TOOL SET, *continued*

Item #: 970760

Contents	Description
61025M	12 Point Standard Metric Socket 3/4" Drive 25 mm
61026M	12 Point Standard Metric Socket 3/4" Drive 26 mm
61027M	12 Point Standard Metric Socket 3/4" Drive 27 mm
61028M	12 Point Standard Metric Socket 3/4" Drive 28 mm
61029M	12 Point Standard Metric Socket 3/4" Drive 29 mm
61030M	12 Point Standard Metric Socket 3/4" Drive 30 mm
69945P	3/4" Drive Pear Head Reversible Ratchet
69992	1/2" Drive 1/2" x 3/4" Adapter
69993	3/4" Drive 4" Extension
AW-1004-2	Adjustable Wrench - 4"
AW-1006-2	Adjustable Wrench - 6"
AW-1008-2	Adjustable Wrench - 8"
AW-1010-2	Adjustable Wrench - 10"
AW-1012-2	Adjustable Wrench - 12"
AW-1015-2	Adjustable Wrench - 15"
BCF-10M	3/8" Drive Crowfoot Wrench - Metric 10 mm
BCF-11M	3/8" Drive Crowfoot Wrench - Metric 11 mm
BCF-12	3/8" Drive Crowfoot Wrench - Inch 3/8"
BCF-12M	3/8" Drive Crowfoot Wrench - Metric 12 mm
BCF-13M	3/8" Drive Crowfoot Wrench - Metric 13 mm
BCF-14	3/8" Drive Crowfoot Wrench - Inch 7/16"
BCF-14M	3/8" Drive Crowfoot Wrench - Metric 14 mm
BCF-15M	3/8" Drive Crowfoot Wrench - Metric 15 mm
BCF-16	3/8" Drive Crowfoot Wrench - Inch 1/2"
BCF-17M	3/8" Drive Crowfoot Wrench - Metric 17 mm
BCF-18	3/8" Drive Crowfoot Wrench - Inch 9/16"
BCF-19M	3/8" Drive Crowfoot Wrench - Metric 19 mm
BCF-20	3/8" Drive Crowfoot Wrench - Inch 5/8"
BCF-20M	3/8" Drive Crowfoot Wrench - Metric 20 mm
BCF-21M	3/8" Drive Crowfoot Wrench - Metric 21 mm
BCF-22	3/8" Drive Crowfoot Wrench - Inch 11/16"
BCF-22M	3/8" Drive Crowfoot Wrench - Metric 22 mm
BCF-24	3/8" Drive Crowfoot Wrench - Inch 3/4"
BCF-26	3/8" Drive Crowfoot Wrench - Inch 13/16"
BCF-28	3/8" Drive Crowfoot Wrench - Inch 7/8"
BCF-32	3/8" Drive Crowfoot Wrench - Inch 1"
BI-101S	101 Piece Insert Bit Set
BP-1214QR	1/4" Drive Quick-Release Ratchet
BP-1338QR	3/8" Drive Quick-Release Ratchet
BP-1412QR	1/2" Drive Quick-Release Ratchet
BW-1106M	Satin Finish Combination Wrench 6mm - 12 Point
BW-1107M	Satin Finish Combination Wrench 7mm - 12 Point
BW-1108M	Satin Finish Combination Wrench 8mm - 12 Point
BW-1109M	Satin Finish Combination Wrench 9mm - 12 Point
BW-1110M	Satin Finish Combination Wrench 10mm - 12 Point
BW-1111M	Satin Finish Combination Wrench 11mm - 12 Point
BW-1112M	Satin Finish Combination Wrench 12mm - 12 Point
BW-1113M	Satin Finish Combination Wrench 13mm - 12 Point
BW-1114M	Satin Finish Combination Wrench 14mm - 12 Point
BW-1115M	Satin Finish Combination Wrench 15mm - 12 Point
BW-1116M	Satin Finish Combination Wrench 16mm - 12 Point
BW-1160	Satin Finish Combination Wrench 3/8" - 12 Point

Contents	Description
BW-1161	Satin Finish Combination Wrench 7/16" - 12 Point
BW-1162	Satin Finish Combination Wrench 1/2" - 12 Point
BW-1163	Satin Finish Combination Wrench 9/16" - 12 Point
BW-1164	Satin Finish Combination Wrench 5/8" - 12 Point
BW-1165	Satin Finish Combination Wrench 11/16" - 12 Point
BW-1166	Satin Finish Combination Wrench 3/4" - 12 Point
BW-1167	Satin Finish Combination Wrench 7/8" - 12 Point
BW-1167A	Satin Finish Combination Wrench 13/16" - 12 Point
BW-1168	Satin Finish Combination Wrench 15/16" - 12 Point
BW-1170	Satin Finish Combination Wrench 1" - 12 Point
BW-1260	Non-Reverse Ratcheting Combination Wrench 10mm
BW-12605	Non-Reverse Ratcheting Combination Wrench 11mm
BW-1261	Non-Reverse Ratcheting Combination Wrench 12mm
BW-1262	Non-Reverse Ratcheting Combination Wrench 13mm
BW-1263	Non-Reverse Ratcheting Combination Wrench 14mm
BW-1264	Non-Reverse Ratcheting Combination Wrench 15mm
BW-1265	Non-Reverse Ratcheting Combination Wrench 16mm
BW-1266	Non-Reverse Ratcheting Combination Wrench 17mm
BW-1267	Non-Reverse Ratcheting Combination Wrench 18mm
BW-1268	Non-Reverse Ratcheting Combination Wrench 19mm
BW-1306	XL Combination Ratcheting Wrench - 5/16"
BW-1308	XL Combination Ratcheting Wrench - 11/32"
BW-1308M	XL Combination Ratcheting Wrench - 8mm
BW-1309M	XL Combination Ratcheting Wrench - 9mm
BW-1310	XL Combination Ratcheting Wrench - 3/8"
BW-1310M	XL Combination Ratcheting Wrench - 10mm
BW-1311M	XL Combination Ratcheting Wrench - 11mm
BW-1312	XL Combination Ratcheting Wrench - 7/16"
BW-1312M	XL Combination Ratcheting Wrench - 12mm
BW-1313M	XL Combination Ratcheting Wrench - 13mm
BW-1314	XL Combination Ratcheting Wrench - 1/2"
BW-1314M	XL Combination Ratcheting Wrench - 14mm
BW-1315M	XL Combination Ratcheting Wrench - 15mm
BW-1316	XL Combination Ratcheting Wrench - 9/16"
BW-1316M	XL Combination Ratcheting Wrench - 16mm
BW-1317M	XL Combination Ratcheting Wrench - 17mm
BW-1318	XL Combination Ratcheting Wrench - 5/8"
BW-1318M	XL Combination Ratcheting Wrench - 18mm
BW-1319M	XL Combination Ratcheting Wrench - 19mm
BW-1320	XL Combination Ratcheting Wrench - 11/16"
BW-1322	XL Combination Ratcheting Wrench - 3/4"
BW-1324	XL Combination Ratcheting Wrench - 13/16"
BWS-1202P	Box-End Wrench Long - Inch 5/16" x 3/8"
BWS-1206P	Box-End Wrench Long - Inch 7/16" x 1/2"
BWS-1211P	Box-End Wrench Long - Inch 9/16" x 5/8"
BWS-1214P	Box-End Wrench Long - Inch 11/16" x 3/4"
BWS-1216P	Box-End Wrench Long - Inch 13/16" x 7/8"
BWS-1218P	Box-End Wrench Long - Inch 15/16" x 1"
CT-1003	Cold Chisel 5 1/4" Length, 3/8" Edge
CT-1004	Cold Chisel 5 1/2" Length, 7/16" Edge
CT-1006	Cold Chisel 6-1/2" Length, 5/8" Edge
CT-1008	Cold Chisel 7" Length, 3/4" Edge



760 PIECE MASTER TOOL SET, *continued*

Item #: 970760

Contents	Description
CT-1010	Cold Chisel 7-1/2" Length, 7/8" Edge
CT-1108	Long Cold Chisel 3/4" Length, 12"
CT-1110	Long Cold Chisel 7/8" Length, 12"
CT-1156	Flat Cape Chisel
CT-1254	Diamond Point Chisel 5" Length, 3/16" Edge
CT-1303	Center Punch 5" Length, 5/32" Point
CT-1304	Center Punch 5-1/2" Length, 3/16" Point
CT-1306	Center Punch 6" Length, 1/4" Point
CT-1314	Scribing Punch 5" Length, 5/32"
CT-1404	Hand Punch 3/8" Length 5"
CT-1453	Pin Punch 5" Length, 1/8" Point
CT-1454	Pin Punch 5 1/4" Length, 5/32" Point
CT-1456	Pin Punch 5 1/2" Length, 3/16" Point
CT-1464	Pin Punch 7" Length, 1/4" Point
CT-1466	Pin Punch 7" Length, 5/16" Point
CT-1509	Aligning Punch 11" Length, 1/4" Point
CT-1554	Long Taper Punch 1/2" Length, 8-1/2"
CT-1556	Long Taper Punch 1/2" Length, 9"
CT-1558	Long Taper Punch 5/8" Length, 11"
DT-55	5 Piece Screw Extractor Set
FN-1012MP	Flare Nut Wrench - Metric 10 mm x 12 mm
FN-1314MP	Flare Nut Wrench - Metric 13 mm x 14 mm
FN-1402P	Flare Nut Wrench - Inch 3/8" x 7/16"
FN-1404P	Flare Nut Wrench - Inch 1/2" x 9/16"
FN-1406P	Flare Nut Wrench - Inch 5/8" x 11/16"
FN-1410P	Flare Nut Wrench - Inch 3/4" x 1"
FN-1517MP	Flare Nut Wrench - Metric 15 mm x 17 mm
FN-1921MP	Flare Nut Wrench - Metric 19 mm x 21 mm
FT-1124	10 Piece Hacksaw Blades
FT-1202	Adjustable Hacksaw Frame
GW-1506	6 Point Deep Inch Socket 1/4" Drive 3/16"
GW-1507	6 Point Deep Inch Socket 1/4" Drive 7/32"
GW-1508	6 Point Deep Inch Socket 1/4" Drive 1/4"
GW-1509	6 Point Deep Inch Socket 1/4" Drive 9/32"
GW-1510	6 Point Deep Inch Socket 1/4" Drive 5/16"
GW-1511	6 Point Deep Inch Socket 1/4" Drive 11/32"
GW-1512	6 Point Deep Inch Socket 1/4" Drive 3/8"
GW-1514	6 Point Deep Inch Socket 1/4" Drive 7/16"
GW-1516	6 Point Deep Inch Socket 1/4" Drive 1/2"
GW-1605	6 Point Standard Inch Socket 1/4" Drive 5/32"
GW-1606	6 Point Standard Inch Socket 1/4" Drive 3/16"
GW-1607	6 Point Standard Inch Socket 1/4" Drive 7/32"
GW-1608	6 Point Standard Inch Socket 1/4" Drive 1/4"
GW-1609	6 Point Standard Inch Socket 1/4" Drive 9/32"
GW-1610	6 Point Standard Inch Socket 1/4" Drive 5/16"
GW-1611	6 Point Standard Inch Socket 1/4" Drive 11/32"
GW-1612	6 Point Standard Inch Socket 1/4" Drive 3/8"
GW-1614	6 Point Standard Inch Socket 1/4" Drive 7/16"
GW-1616	6 Point Standard Inch Socket 1/4" Drive 1/2"
GW-1705	12 Point Standard Inch Socket 1/4" Drive 5/32"
GW-1706	12 Point Standard Inch Socket 1/4" Drive 3/16"
GW-1707	12 Point Standard Inch Socket 1/4" Drive 7/32"

Contents	Description
GW-1708	12 Point Standard Inch Socket 1/4" Drive 1/4"
GW-1709	12 Point Standard Inch Socket 1/4" Drive 9/32"
GW-1710	12 Point Standard Inch Socket 1/4" Drive 5/16"
GW-1711	12 Point Standard Inch Socket 1/4" Drive 11/32"
GW-1712	12 Point Standard Inch Socket 1/4" Drive 3/8"
GW-1714	12 Point Standard Inch Socket 1/4" Drive 7/16"
GW-1716	12 Point Standard Inch Socket 1/4" Drive 1/2"
GW-504M	6 Point Deep Metric Socket 1/4" Drive 4 mm
GW-505M	6 Point Deep Metric Socket 1/4" Drive 5 mm
GW-506M	6 Point Deep Metric Socket 1/4" Drive 6 mm
GW-507M	6 Point Deep Metric Socket 1/4" Drive 7 mm
GW-508M	6 Point Deep Metric Socket 1/4" Drive 8 mm
GW-509M	6 Point Deep Metric Socket 1/4" Drive 9 mm
GW-510M	6 Point Deep Metric Socket 1/4" Drive 10 mm
GW-511M	6 Point Deep Metric Socket 1/4" Drive 11 mm
GW-512M	6 Point Deep Metric Socket 1/4" Drive 12 mm
GW-513M	6 Point Deep Metric Socket 1/4" Drive 13 mm
GW-604M	6 Point Standard Metric Socket 1/4" Drive 4 mm
GW-605M	6 Point Standard Metric Socket 1/4" Drive 5 mm
GW-606M	6 Point Standard Metric Socket 1/4" Drive 6 mm
GW-607M	6 Point Standard Metric Socket 1/4" Drive 7 mm
GW-608M	6 Point Standard Metric Socket 1/4" Drive 8 mm
GW-609M	6 Point Standard Metric Socket 1/4" Drive 9 mm
GW-610M	6 Point Standard Metric Socket 1/4" Drive 10 mm
GW-611M	6 Point Standard Metric Socket 1/4" Drive 11 mm
GW-612M	6 Point Standard Metric Socket 1/4" Drive 12 mm
GW-613M	6 Point Standard Metric Socket 1/4" Drive 13 mm
GW-645M	6 Point Standard Metric Socket 1/4" Drive 4.5 mm
GW-655M	6 Point Standard Metric Socket 1/4" Drive 5.5 mm
GW-705M	12 Point Standard Metric Socket 1/4" Drive 5 mm
GW-706M	12 Point Standard Metric Socket 1/4" Drive 6 mm
GW-707M	12 Point Standard Metric Socket 1/4" Drive 7 mm
GW-708M	12 Point Standard Metric Socket 1/4" Drive 8 mm
GW-709M	12 Point Standard Metric Socket 1/4" Drive 9 mm
GW-710M	12 Point Standard Metric Socket 1/4" Drive 10 mm
GW-711M	12 Point Standard Metric Socket 1/4" Drive 11 mm
GW-712M	12 Point Standard Metric Socket 1/4" Drive 12 mm
GW-713M	12 Point Standard Metric Socket 1/4" Drive 13 mm
GW-9749B	1/4" Drive Flex Handle
GW-9898L	1/4" Drive Locking Extension 4"
GW-9899L	1/4" Drive Locking Extension 6"
HW-1512	6 Point Deep Inch Socket 3/8" Drive 3/8"
HW-1514	6 Point Deep Inch Socket 3/8" Drive 7/16"
HW-1516	6 Point Deep Inch Socket 3/8" Drive 1/2"
HW-1518	6 Point Deep Inch Socket 3/8" Drive 9/16"
HW-1520	6 Point Deep Inch Socket 3/8" Drive 5/8"
HW-1520S	3/8" Drive Spark Plug Socket 5/8"
HW-1522	6 Point Deep Inch Socket 3/8" Drive 11/16"
HW-1524	6 Point Deep Inch Socket 3/8" Drive 3/4"
HW-1526	6 Point Deep Inch Socket 3/8" Drive 13/16"
HW-1526S	Spark Plug Socket 3/8" Drive 13/16"
HW-1528	6 Point Deep Inch Socket 3/8" Drive 7/8"





760 PIECE MASTER TOOL SET, *continued*

Item #: 970760

Contents	Description
HW-9404M-2	3/8" Drive Hex Bit Socket - 4 mm
HW-9405M-2	3/8" Drive Hex Bit Socket - 5 mm
HW-9406M-2	3/8" Drive Hex Bit Socket - 6 mm
HW-9407M-2	3/8" Drive Hex Bit Socket - 7 mm
HW-9408M-2	3/8" Drive Hex Bit Socket - 8 mm
HW-9410M-2	3/8" Drive Hex Bit Socket - 10 mm
HW-9442-2	3/8" Drive Hex Bit Socket - 1/8"
HW-9443-2	3/8" Drive Hex Bit Socket - 9/64"
HW-9444-2	3/8" Drive Hex Bit Socket - 5/32"
HW-9445-2	3/8" Drive Hex Bit Socket - 3/8"
HW-9446-2	3/8" Drive Hex Bit Socket - 5/16"
HW-9447-2	3/8" Drive Hex Bit Socket - 1/4"
HW-9448-2	3/8" Drive Hex Bit Socket - 7/32"
HW-9449-2	3/8" Drive Hex Bit Socket - 3/16"
HW-9450-2	3/8" Drive Phillips® Bit Socket - #1
HW-9451-2	3/8" Drive Phillips® Bit Socket - #2
HW-9452-2	3/8" Drive Phillips® Bit Socket - #3
HW-9505-2	3/8" Drive Slotted Bit Socket - 1/4"
HW-9506-2	3/8" Drive Slotted Bit Socket - 5/16"
HW-9606-2	1/2" Drive Hex Bit Socket - 5/16"
HW-9607-2	1/2" Drive Hex Bit Socket - 3/8"
HW-9608-2	1/2" Drive Hex Bit Socket - 7/16"
HW-9609-2	1/2" Drive Hex Bit Socket - 1/2"
HW-9610-2	1/2" Drive Hex Bit Socket - 9/16"
HW-9611-2	1/2" Drive Hex Bit Socket - 5/8"
HW-9612-2	1/2" Drive Hex Bit Socket - 3/4"
J380	Retaining Ring Pliers Set with Replacement Tips
MT-1049	25 Blade All-Purpose Feeler Gauge
PT-1003-2	8" Slip Joint Pliers
PT-1050-2	Wire Stripper
PT-1052-2	6" Diagonal Cutting Pliers
PT-1105-2	5" Curved Jaw Locking Pliers
PT-1107S	7" Flat Jaw Locking Pliers
PT-1108-2	9" Linemans Pliers
PT-1110-2	10" Curved Jaw Locking Pliers
PT-1128-2	6" Needle Nose Cutting Pliers - Heavy Duty
PT-1130-2	6" End Nipper Pliers
PT-1149-2	6" Curved Needle Nose Pliers
PT-1154-2	5" Precision Needle Nose Pliers
PT-1206L	6" Long Nose Locking Pliers - Quick Release
PT-1207	7" Curved Jaw Locking Pliers - Quick Release
PT-1210	10" Curved Jaw Locking Pliers - Quick Release
PT-1250-2	10" Rib Lock Pliers
PT-1257-2	Long Reach 45 Degree Bent Nose Pliers
PT-1258-2	Long Reach Needle Nose Pliers
ST-1048S	Electrician's Slotted Tip Screwdriver 8" Blade, 3/16" Tip
ST-252C	3/32" Cabinet Screwdriver - 2" Blade
ST-303S	1/8" Slotted Screwdriver - 3" Blade
ST-353C	9/64" Cabinet Screwdriver - 3" Blade
ST-404S	5/32" Slotted Screwdriver - 4" Blade
ST-555C	3/16" Cabinet Screwdriver - 5" Blade
ST-555S	7/32" Slotted Screwdriver - 5" Blade

Contents	Description
ST-655S	1/4" Slotted Screwdriver - 5" Blade
ST-656C	1/4" Cabinet Screwdriver - 6" Blade
ST-65SH	1/4" Slotted Stubby Screwdriver - 1-1/4" Blade
ST-803	Nut Driver Inch 1/4"
ST-806	Nut Driver Inch 5/16"
ST-807S	5/16" Slotted Screwdriver - 7" Blade
ST-809	Nut Driver Inch 11/32"
ST-812	Nut Driver Inch 3/8"
ST-815	Nut Driver Inch 7/16"
ST-818	Nut Driver Inch 1/2"
ST-905M	Nut Driver Metric 5 mm
ST-907M	Nut Driver Metric 7 mm
ST-908M	Nut Driver Metric 8 mm
ST-909M	Nut Driver Metric 9 mm
ST-910M	Nut Driver Metric 10 mm
ST-955M	Nut Driver Metric 5.5 mm
ST-PH1-4	#1 Phillips® Screwdriver - 4" Blade
ST-PH2-5	#2 Phillips® Screwdriver - 5" Blade
ST-PH2-SH	#2 Phillips® Stubby Screwdriver - 1-1/4" Blade
ST-PH3-6B	#3 Phillips® Screwdriver - 6" Blade
ST-PH4-8B	#4 Phillips® Screwdriver - 8" Blade
ST-SS1	1/4" Drive Socket Spinner
ST-T10-3	T10 Torx® Screwdriver - 3" Blade
ST-T15-3	T15 Torx® Screwdriver - 3" Blade
ST-T20-4	T20 Torx® Screwdriver - 4" Blade
ST-T25-4	T25 Torx® Screwdriver - 4" Blade
ST-T27-4	T27 Torx® Screwdriver - 4" Blade
ST-T30-5	T30 Torx® Screwdriver - 5" Blade
ST-T40-5	T40 Torx® Screwdriver - 5" Blade
TS-1215-2	1/4" Drive T15 Torx® Impact Socket
TS-1220-2	1/4" Drive T20 Torx® Impact Socket
TS-1225-2	1/4" Drive T25 Torx® Impact Socket
TS-1227-2	1/4" Drive T27 Torx® Impact Socket
TS-1230-2	1/4" Drive T30 Torx® Impact Socket
TS-1340-2	3/8" Drive T40 Torx® Impact Socket
TS-1345-2	3/8" Drive T45 Torx® Impact Socket
TS-1347-2	3/8" Drive T47 Torx® Impact Socket
TS-1350-2	3/8" Drive T50 Torx® Impact Socket
TS-1355-2	3/8" Drive T55 Torx® Impact Socket
TS-1460-2	1/2" Drive T60 Torx® Impact Socket
TS-2204-2	1/4" Drive E4 External Torx® Socket
TS-2205-2	1/4" Drive E5 External Torx® Socket
TS-2206-2	1/4" Drive E6 External Torx® Socket
TS-2207-2	1/4" Drive E7 External Torx® Socket
TS-2208-2	1/4" Drive E8 External Torx® Socket
TS-2308-2	3/8" Drive E8 External Torx® Socket
TS-2310-2	3/8" Drive E10 External Torx® Socket
TS-2312-2	3/8" Drive E12 External Torx® Socket
TS-2314-2	3/8" Drive E14 External Torx® Socket
TS-2316-2	3/8" Drive E16 External Torx® Socket
TS-2418-2	3/8" Drive E18 External Torx® Socket
U-1508-2	3/8" Drive 1/4" Impact Socket - 6 Point

Phillips® is trademark of Phillips Screw Company
Torx® is a trademark of Acument Intellectual Properties, LLC.



760 PIECE MASTER TOOL SET, *continued*

Item #: 970760

Contents	Description
U-1510-2	3/8" Drive 5/16" Impact Socket - 6 Point
U-1510M-2	3/8" Drive 10mm Impact Socket - 6 Point
U-1512-2	3/8" Drive 3/8" Impact Socket - 6 Point
U-1512M-2	3/8" Drive 12mm Impact Socket - 6 Point
U-1513M-2	3/8" Drive 13mm Impact Socket - 6 Point
U-1514-2	3/8" Drive 7/16" Impact Socket - 6 Point
U-1514M-2	3/8" Drive 14mm Impact Socket - 6 Point
U-1515M-2	3/8" Drive 15mm Impact Socket - 6 Point
U-1516-2	3/8" Drive 1/2" Impact Socket - 6 Point
U-1517M-2	3/8" Drive 17mm Impact Socket - 6 Point
U-1518-2	3/8" Drive 9/16" Impact Socket - 6 Point
U-1518M-2	3/8" Drive 18mm Impact Socket - 6 Point
U-1519M-2	3/8" Drive 19mm Impact Socket - 6 Point
U-1520-2	3/8" Drive 5/8" Impact Socket - 6 Point
U-1522-2	3/8" Drive 11/16" Impact Socket - 6 Point
U-1607M-2	3/8" Drive 7mm Deep Impact Socket - 6 Point
U-1608M-2	3/8" Drive 8mm Deep Impact Socket - 6 Point
U-1609M-2	3/8" Drive 9mm Deep Impact Socket - 6 Point
U-1610-2	3/8" Drive 5/16" Deep Impact Socket - 6 Point
U-1610M-2	3/8" Drive 10mm Deep Impact Socket - 6 Point
U-1611M-2	3/8" Drive 11mm Deep Impact Socket - 6 Point
U-1612-2	3/8" Drive 3/8" Deep Impact Socket - 6 Point
U-1612M-2	3/8" Drive 12mm Deep Impact Socket - 6 Point
U-1613M-2	3/8" Drive 13mm Deep Impact Socket - 6 Point
U-1614-2	3/8" Drive 7/16" Deep Impact Socket - 6 Point
U-1614M-2	3/8" Drive 14mm Deep Impact Socket - 6 Point
U-1615M-2	3/8" Drive 15mm Deep Impact Socket - 6 Point
U-1616-2	3/8" Drive 1/2" Deep Impact Socket - 6 Point
U-1616M-2	3/8" Drive 16mm Deep Impact Socket - 6 Point
U-1617M-2	3/8" Drive 17mm Deep Impact Socket - 6 Point
U-1618-2	3/8" Drive 9/16" Deep Impact Socket - 6 Point
U-1618M-2	3/8" Drive 18mm Deep Impact Socket - 6 Point
U-1619M-2	3/8" Drive 19mm Deep Impact Socket - 6 Point
U-1620-2	3/8" Drive 5/8" Deep Impact Socket - 6 Point
U-1622-2	3/8" Drive 11/16" Deep Impact Socket - 6 Point
U-1624-2	3/8" Drive 3/4" Deep Impact Socket - 6 Point
U-1626-2	3/8" Drive 13/16" Deep Impact Socket - 6 Point
U-1628-2	3/8" Drive 7/8" Deep Impact Socket - 6 Point
U-1630-2	3/8" Drive 15/16" Deep Impact Socket - 6 Point

Contents	Description
U-1632-2	3/8" Drive 1" Deep Impact Socket - 6 Point
UW-1516-2	1/2" Drive 1/2" Deep Impact Socket - 6 Point
UW-1518-2	1/2" Drive 9/16" Deep Impact Socket - 6 Point
UW-1520-2	1/2" Drive 5/8" Deep Impact Socket - 6 Point
UW-1522-2	1/2" Drive 11/16" Deep Impact Socket - 6 Point
UW-1524-2	1/2" Drive 3/4" Deep Impact Socket - 6 Point
UW-1526-2	1/2" Drive 13/16" Deep Impact Socket - 6 Point
UW-1528-2	1/2" Drive 7/8" Deep Impact Socket - 6 Point
UW-1530-2	1/2" Drive 15/16" Deep Impact Socket - 6 Point
UW-1532-2	1/2" Drive 1" Deep Impact Socket - 6 Point
UW-1534-2	1/2" Drive 1-1/16" Deep Impact Socket - 6 Point
UW-1536-2	1/2" Drive 1-1/8" Deep Impact Socket - 6 Point
UW-1538-2	1/2" Drive 1-1/4" Deep Impact Socket - 6 Point
UW-1612-2	1/2" Drive 3/8" Impact Socket - 6 Point
UW-1614-2	1/2" Drive 7/16" Impact Socket - 6 Point
UW-1616-2	1/2" Drive 1/2" Impact Socket - 6 Point
UW-1618-2	1/2" Drive 9/16" Impact Socket - 6 Point
UW-1620-2	1/2" Drive 5/8" Impact Socket - 6 Point
UW-1622-2	1/2" Drive 11/16" Impact Socket - 6 Point
UW-1624-2	1/2" Drive 3/4" Impact Socket - 6 Point
UW-1626-2	1/2" Drive 13/16" Impact Socket - 6 Point
UW-1628-2	1/2" Drive 7/8" Impact Socket - 6 Point
UW-1630-2	1/2" Drive 15/16" Impact Socket - 6 Point
UW-1632-2	1/2" Drive 1" Impact Socket - 6 Point
UW-1634-2	1/2" Drive 1-1/16" Impact Socket - 6 Point
UW-614M-2	1/2" Drive 14mm Impact Socket - 6 Point
UW-615M-2	1/2" Drive 15mm Impact Socket - 6 Point
UW-616M-2	1/2" Drive 16mm Impact Socket - 6 Point
UW-617M-2	1/2" Drive 17mm Impact Socket - 6 Point
UW-618M-2	1/2" Drive 18mm Impact Socket - 6 Point
UW-619M-2	1/2" Drive 19mm Impact Socket - 6 Point
UW-620M-2	1/2" Drive 20mm Impact Socket - 6 Point
UW-621M-2	1/2" Drive 21mm Impact Socket - 6 Point
UW-622M-2	1/2" Drive 22mm Impact Socket - 6 Point
UW-624M-2	1/2" Drive 24mm Impact Socket - 6 Point
UW-627M-2	1/2" Drive 27mm Impact Socket - 6 Point
ZW-53	13 Piece Standard Hex Wrench Set
ZW-59	13 Piece Standard Long Hex Key Wrench Set
ZW-69	9 Piece Metric Hex Key Wrench Set





687 PIECE MASTER TOOL SET

Item #: 970687

361 - Sockets & Accessories

155 - Miscellaneous Tools

35 - Pliers

34 - Screwdrivers

23 - Striking & Struck

79 - Wrenches

• 1/4", 3/8", 1/2", & 3/4" Drives with Ratchets

• Chrome and Impact Sockets

• Standard and Metric Sizing

• Wrenches: Ignition; Open-Ended; Flare Nut; Combination – Fixed, XL Combination Ratcheting; Double Box-End – Fixed; Adjustable

• Weight (lbs): 140.15



Contents	Description
10-099	Utility Knife
30010A	12 Point Standard Inch Socket 3/8" Drive 5/16"
30012	12 Point Standard Inch Socket 3/8" Drive 3/8"
30014	12 Point Standard Inch Socket 3/8" Drive 7/16"
30016	12 Point Standard Inch Socket 3/8" Drive 1/2"
30018	12 Point Standard Inch Socket 3/8" Drive 9/16"
30020	12 Point Standard Inch Socket 3/8" Drive 5/8"
30022	12 Point Standard Inch Socket 3/8" Drive 11/16"
30024	12 Point Standard Inch Socket 3/8" Drive 3/4"
30026	12 Point Standard Inch Socket 3/8" Drive 13/16"
30028	12 Point Standard Inch Socket 3/8" Drive 7/8"
30320SA	3/8" Drive Flex Spark Plug Socket
30412	12 Point Deep Inch Socket 3/8" Drive 3/8"
30414	12 Point Deep Inch Socket 3/8" Drive 7/16"

Contents	Description
30416	12 Point Deep Inch Socket 3/8" Drive 1/2"
30418	12 Point Deep Inch Socket 3/8" Drive 9/16"
30420	12 Point Deep Inch Socket 3/8" Drive 5/8"
30422	12 Point Deep Inch Socket 3/8" Drive 11/16"
30424	12 Point Deep Inch Socket 3/8" Drive 3/4"
30426	12 Point Deep Inch Socket 3/8" Drive 13/16"
30428	12 Point Deep Inch Socket 3/8" Drive 7/8"
30430	12 Point Deep Inch Socket 3/8" Drive 15/16"
30432	12 Point Deep Inch Socket 3/8" Drive 1"
30612	6 Point Standard Inch Socket 3/8" Drive 3/8"
30614	6 Point Standard Inch Socket 3/8" Drive 7/16"
30616	6 Point Standard Inch Socket 3/8" Drive 1/2"
30618	6 Point Standard Inch Socket 3/8" Drive 9/16"
30620	6 Point Standard Inch Socket 3/8" Drive 5/8"



687 PIECE MASTER TOOL SET, *continued*

Item #: 970687

Contents	Description
30622	6 Point Standard Inch Socket 3/8" Drive 11/16"
30624	6 Point Standard Inch Socket 3/8" Drive 3/4"
30626	6 Point Standard Inch Socket 3/8" Drive 13/16"
30628	6 Point Standard Inch Socket 3/8" Drive 7/8"
30630	6 Point Standard Inch Socket 3/8" Drive 15/16"
30632	6 Point Standard Inch Socket 3/8" Drive 1"
31108	8 Point Standard Inch Socket 3/8" Drive 1/4"
31110	8 Point Standard Inch Socket 3/8" Drive 5/16"
31112	8 Point Standard Inch Socket 3/8" Drive 3/8"
31114	8 Point Standard Inch Socket 3/8" Drive 7/16"
31116	8 Point Standard Inch Socket 3/8" Drive 1/2"
3114	Ignition Open-End Wrench 13/64"
3116	Ignition Open-End Wrench 7/32"
3118	Ignition Open-End Wrench 15/64"
3120	Ignition Open-End Wrench 1/4"
3122	Ignition Open-End Wrench 17/64"
3124	Ignition Open-End Wrench 9/32"
3128	Ignition Open-End Wrench 5/16"
3130	Ignition Open-End Wrench 11/32"
3132	Ignition Open-End Wrench 3/8"
3134	Ignition Open-End Wrench 7/16"
32007M	6 Point Standard Metric Socket 3/8" Drive 7 mm
32008M	6 Point Standard Metric Socket 3/8" Drive 8 mm
32009M	6 Point Standard Metric Socket 3/8" Drive 9 mm
32010M	6 Point Standard Metric Socket 3/8" Drive 10 mm
32011M	6 Point Standard Metric Socket 3/8" Drive 11 mm
32012M	6 Point Standard Metric Socket 3/8" Drive 12 mm
32013M	6 Point Standard Metric Socket 3/8" Drive 13 mm
32014M	6 Point Standard Metric Socket 3/8" Drive 14 mm
32015M	6 Point Standard Metric Socket 3/8" Drive 15 mm
32016M	6 Point Standard Metric Socket 3/8" Drive 16 mm
32017M	6 Point Standard Metric Socket 3/8" Drive 17 mm
32018M	6 Point Standard Metric Socket 3/8" Drive 18 mm
32019M	6 Point Standard Metric Socket 3/8" Drive 19 mm
32020M	6 Point Standard Metric Socket 3/8" Drive 20 mm
32021M	6 Point Standard Metric Socket 3/8" Drive 21 mm
33-212	PowerLock® Tape Rule 12'
34007M	12 Point Standard Metric Socket 3/8" Drive 7 mm
34008M	12 Point Standard Metric Socket 3/8" Drive 8 mm
34009M	12 Point Standard Metric Socket 3/8" Drive 9 mm
34010M	12 Point Standard Metric Socket 3/8" Drive 10 mm
34011M	12 Point Standard Metric Socket 3/8" Drive 11 mm
34012M	12 Point Standard Metric Socket 3/8" Drive 12 mm
34013M	12 Point Standard Metric Socket 3/8" Drive 13 mm
34014M	12 Point Standard Metric Socket 3/8" Drive 14 mm
34015M	12 Point Standard Metric Socket 3/8" Drive 15 mm
34016M	12 Point Standard Metric Socket 3/8" Drive 16 mm
34017M	12 Point Standard Metric Socket 3/8" Drive 17 mm
34018M	12 Point Standard Metric Socket 3/8" Drive 18 mm
34019M	12 Point Standard Metric Socket 3/8" Drive 19 mm
34020M	12 Point Standard Metric Socket 3/8" Drive 20 mm
34021M	12 Point Standard Inch Socket 3/8" Drive 21 mm

Contents	Description
34022M	12 Point Standard Inch Socket 3/8" Drive 22 mm
34960	1/4" Drive 1/4" x 3/8" Adapter
34963	3/8" Drive 3/8" x 1/4" Adapter
34965	1/2" Drive 1/2" x 3/8" Adapter
34983	3/8" Drive Extension 19"
34987L	3/8" Drive Locking Extension 6"
34988L	3/8" Drive Locking Extension 3"
34989	3/8" Drive Extension 1-3/4"
40112	12 Point Standard Inch Socket 1/2" Drive 3/8"
40114	12 Point Standard Inch Socket 1/2" Drive 7/16"
40116	12 Point Standard Inch Socket 1/2" Drive 1/2"
40118	12 Point Standard Inch Socket 1/2" Drive 9/16"
40120	12 Point Standard Inch Socket 1/2" Drive 5/8"
40122	12 Point Standard Inch Socket 1/2" Drive 11/16"
40124	12 Point Standard Inch Socket 1/2" Drive 3/4"
40126	12 Point Standard Inch Socket 1/2" Drive 13/16"
40128	12 Point Standard Inch Socket 1/2" Drive 7/8"
40130	12 Point Standard Inch Socket 1/2" Drive 15/16"
40132	12 Point Standard Inch Socket 1/2" Drive 1"
40134	12 Point Standard Inch Socket 1/2" Drive 1-1/16"
40136	12 Point Standard Inch Socket 1/2" Drive 1-1/8"
40138	12 Point Standard Inch Socket 1/2" Drive 1-3/16"
40140	12 Point Standard Inch Socket 1/2" Drive 1-1/4"
4020P	Full Polish - Open-End Wrench Inch 1/4" x 5/16"
40316	12 Point Deep Inch Socket 1/2" Drive 1/2"
40318	12 Point Deep Inch Socket 1/2" Drive 9/16"
40320	12 Point Deep Inch Socket 1/2" Drive 5/8"
40320S	6 Point 1/2" Drive Spark Plug Socket 5/8"
40322	12 Point Deep Inch Socket 1/2" Drive 11/16"
40324	12 Point Deep Inch Socket 1/2" Drive 3/4"
40326	12 Point Deep Inch Socket 1/2" Drive 13/16"
40326S	6 Point 1/2" Drive Spark Plug Socket 13/16"
40328	12 Point Deep Inch Socket 1/2" Drive 7/8"
40330	12 Point Deep Inch Socket 1/2" Drive 15/16"
40332	12 Point Deep Inch Socket 1/2" Drive 1"
40416	6 Point Deep Inch Socket 1/2" Drive 1/2"
40418	6 Point Deep Inch Socket 1/2" Drive 9/16"
40420	6 Point Deep Inch Socket 1/2" Drive 5/8"
40422	6 Point Deep Inch Socket 1/2" Drive 11/16"
40424	6 Point Deep Inch Socket 1/2" Drive 3/4"
40426	6 Point Deep Inch Socket 1/2" Drive 13/16"
40428	6 Point Deep Inch Socket 1/2" Drive 7/8"
40430	6 Point Deep Inch Socket 1/2" Drive 15/16"
40432	6 Point Deep Inch Socket 1/2" Drive 1"
40612	6 Point Standard Inch Socket 1/2" Drive 3/8"
40614	6 Point Standard Inch Socket 1/2" Drive 7/16"
40616	6 Point Standard Inch Socket 1/2" Drive 1/2"
40618	6 Point Standard Inch Socket 1/2" Drive 9/16"
40620	6 Point Standard Inch Socket 1/2" Drive 5/8"
40622	6 Point Standard Inch Socket 1/2" Drive 11/16"
40624	6 Point Standard Inch Socket 1/2" Drive 3/4"
40626	6 Point Standard Inch Socket 1/2" Drive 13/16"

MASTER SETS



687 PIECE MASTER TOOL SET, *continued***Item #: 970687**

Contents	Description
40628	6 Point Standard Inch Socket 1/2" Drive 7/8"
40630	6 Point Standard Inch Socket 1/2" Drive 15/16"
40632	6 Point Standard Inch Socket 1/2" Drive 1"
40634	6 Point Standard Inch Socket 1/2" Drive 1-1/16"
40636	6 Point Standard Inch Socket 1/2" Drive 1-1/8"
42010M	6 Point Standard Metric Socket 1/2" Drive 10 mm
42011M	6 Point Standard Metric Socket 1/2" Drive 11 mm
42012M	6 Point Standard Metric Socket 1/2" Drive 12 mm
42013M	6 Point Standard Metric Socket 1/2" Drive 13 mm
42014M	6 Point Standard Metric Socket 1/2" Drive 14 mm
42015M	12 Point Standard Metric Socket 1/2" Drive 15 mm
42017M	12 Point Standard Metric Socket 1/2" Drive 17 mm
42019M	12 Point Standard Metric Socket 1/2" Drive 19 mm
42021M	12 Point Standard Metric Socket 1/2" Drive 21 mm
42022M	12 Point Standard Metric Socket 1/2" Drive 22 mm
42023M	12 Point Standard Metric Socket 1/2" Drive 23 mm
42024M	12 Point Standard Metric Socket 1/2" Drive 24 mm
42027M	12 Point Standard Metric Socket 1/2" Drive 27 mm
43010M	12 Point Standard Metric Socket 1/2" Drive 10 mm
43011M	12 Point Standard Metric Socket 1/2" Drive 11 mm
43012M	12 Point Standard Metric Socket 1/2" Drive 12 mm
43013M	12 Point Standard Metric Socket 1/2" Drive 13 mm
43014M	12 Point Standard Metric Socket 1/2" Drive 14 mm
43015M	12 Point Standard Metric Socket 1/2" Drive 15 mm
43017M	6 Point Standard Metric Socket 1/2" Drive 17 mm
43019M	6 Point Standard Metric Socket 1/2" Drive 19 mm
43021M	6 Point Standard Metric Socket 1/2" Drive 21 mm
43022M	6 Point Standard Metric Socket 1/2" Drive 22 mm
43023M	6 Point Standard Metric Socket 1/2" Drive 23 mm
43024M	6 Point Standard Metric Socket 1/2" Drive 24 mm
43027M	6 Point Standard Metric Socket 1/2" Drive 27 mm
44010M	12 Point Deep Metric Socket 1/2" Drive 10 mm
44011M	12 Point Deep Metric Socket 1/2" Drive 11 mm
44012M	12 Point Deep Metric Socket 1/2" Drive 12 mm
44013M	12 Point Deep Metric Socket 1/2" Drive 13 mm
44014M	12 Point Deep Metric Socket 1/2" Drive 14 mm
44015M	12 Point Deep Metric Socket 1/2" Drive 15 mm
44016M	12 Point Deep Metric Socket 1/2" Drive 16 mm
44017M	12 Point Deep Metric Socket 1/2" Drive 17 mm
44018M	12 Point Deep Metric Socket 1/2" Drive 18 mm
44019M	12 Point Deep Metric Socket 1/2" Drive 19 mm
44020M	12 Point Deep Metric Socket 1/2" Drive 20 mm
44021M	12 Point Deep Metric Socket 1/2" Drive 21 mm
44022M	12 Point Deep Metric Socket 1/2" Drive 22 mm
44023M	12 Point Deep Metric Socket 1/2" Drive 23 mm
44024M	12 Point Deep Metric Socket 1/2" Drive 24 mm
44025M	12 Point Deep Metric Socket 1/2" Drive 25 mm
44026M	12 Point Deep Metric Socket 1/2" Drive 26 mm
44027M	12 Point Deep Metric Socket 1/2" Drive 27 mm
4723P	Full Polish - Open-End Wrench Inch 3/8" x 7/16"
4724P	Full Polish - Open-End Wrench Inch 7/16" x 1/2"
4725P	Full Polish - Open-End Wrench Inch 1/2" x 9/16"

Contents	Description
4727P	Full Polish - Open-End Wrench Inch 5/8" x 11/16"
4728P	Full Polish - Open-End Wrench Inch 11/16" x 3/4"
4732P	Full Polish - Open-End Wrench Inch 13/16" x 7/8"
49964L	1/2" Drive Locking Extension 3"
49966L	1/2" Drive Locking Extension 6"
49972	1/2" Drive Extension - 19"
49990L	1/2" Drive Locking Extension 10"
49991	3/4" Drive 3/4" x 1/2" Adapter
60026A	12 Point Standard Inch Socket 3/4" Drive 3/4"
60027A	12 Point Standard Inch Socket 3/4" Drive 13/16"
60028	12 Point Standard Inch Socket 3/4" Drive 7/8"
60030	12 Point Socket 3/4" Drive 15/16"
60032	12 Point Socket 3/4" Drive 1"
60034	12 Point Socket 3/4" Drive 1-1/16"
60036	12 Point Socket 3/4" Drive 1-1/8"
60038	12 Point Standard Inch Socket 3/4" Drive 1-3/16"
60040	12 Point Socket 3/4" Drive 1-1/4"
60042	12 Point Standard Inch Socket 3/4" Drive 1-5/6"
60044	12 Point Socket 3/4" Drive 1-3/8"
61019M	12 Point Standard Metric Socket 3/4" Drive 19 mm
61021M	12 Point Standard Metric Socket 3/4" Drive 21 mm
61022M	12 Point Standard Metric Socket 3/4" Drive 22 mm
61023M	12 Point Standard Metric Socket 3/4" Drive 23 mm
61024M	12 Point Standard Metric Socket 3/4" Drive 24 mm
61025M	12 Point Standard Metric Socket 3/4" Drive 25 mm
61026M	12 Point Standard Metric Socket 3/4" Drive 26 mm
61027M	12 Point Standard Metric Socket 3/4" Drive 27 mm
61028M	12 Point Standard Metric Socket 3/4" Drive 28 mm
61029M	12 Point Standard Metric Socket 3/4" Drive 29 mm
61030M	12 Point Standard Metric Socket 3/4" Drive 30 mm
69945P	3/4" Drive Pear Head Reversible Ratchet
69992	1/2" Drive 1/2" x 3/4" Adapter
69993	3/4" Drive 4" Extension
AW-1004-2	Adjustable Wrench - 4"
AW-1006-2	Adjustable Wrench - 6"
AW-1008-2	Adjustable Wrench - 8"
AW-1010-2	Adjustable Wrench - 10"
AW-1015-2	Adjustable Wrench - 15"
BCF-10M	3/8" Drive Crowfoot Wrench - Metric 10 mm
BCF-11M	3/8" Drive Crowfoot Wrench - Metric 11 mm
BCF-12	3/8" Drive Crowfoot Wrench - Inch 3/8"
BCF-12M	3/8" Drive Crowfoot Wrench - Metric 12 mm
BCF-13M	3/8" Drive Crowfoot Wrench - Metric 13 mm
BCF-14	3/8" Drive Crowfoot Wrench - Inch 7/16"
BCF-14M	3/8" Drive Crowfoot Wrench - Metric 14 mm
BCF-15M	3/8" Drive Crowfoot Wrench - Metric 15 mm
BCF-16	3/8" Drive Crowfoot Wrench - Inch 1/2"
BCF-17M	3/8" Drive Crowfoot Wrench - Metric 17 mm
BCF-18	3/8" Drive Crowfoot Wrench - Inch 9/16"
BCF-19M	3/8" Drive Crowfoot Wrench - Metric 19 mm
BCF-20	3/8" Drive Crowfoot Wrench - Inch 5/8"
BCF-20M	3/8" Drive Crowfoot Wrench - Metric 20 mm

MASTER SETS

687 PIECE MASTER TOOL SET, *continued*

Item #: 970687

Contents	Description
BCF-21M	3/8" Drive Crowfoot Wrench - Metric 21 mm
BCF-22	3/8" Drive Crowfoot Wrench - Inch 11/16"
BCF-22M	3/8" Drive Crowfoot Wrench - Metric 22 mm
BCF-24	3/8" Drive Crowfoot Wrench - Inch 3/4"
BCF-26	3/8" Drive Crowfoot Wrench - Inch 13/16"
BCF-28	3/8" Drive Crowfoot Wrench - Inch 7/8"
BCF-32	3/8" Drive Crowfoot Wrench - Inch 1"
BI-101S	101 Piece Insert Bit Set
BP-1214QR	1/4" Drive Quick-Release Ratchet
BP-1338QR	3/8" Drive Quick-Release Ratchet
BP-1412QR	1/2" Drive Quick-Release Ratchet
BW-1106M	Satin Finish Combination Wrench 6mm - 12 Point
BW-1107M	Satin Finish Combination Wrench 7mm - 12 Point
BW-1108M	Satin Finish Combination Wrench 8mm - 12 Point
BW-1109M	Satin Finish Combination Wrench 9mm - 12 Point
BW-1110M	Satin Finish Combination Wrench 10mm - 12 Point
BW-1111M	Satin Finish Combination Wrench 11mm - 12 Point
BW-1112M	Satin Finish Combination Wrench 12mm - 12 Point
BW-1113M	Satin Finish Combination Wrench 13mm - 12 Point
BW-1114M	Satin Finish Combination Wrench 14mm - 12 Point
BW-1115M	Satin Finish Combination Wrench 15mm - 12 Point
BW-1116M	Satin Finish Combination Wrench 16mm - 12 Point
BW-1160	Satin Finish Combination Wrench 3/8" - 12 Point
BW-1161	Satin Finish Combination Wrench 7/16" - 12 Point
BW-1162	Satin Finish Combination Wrench 1/2" - 12 Point
BW-1163	Satin Finish Combination Wrench 9/16" - 12 Point
BW-1164	Satin Finish Combination Wrench 5/8" - 12 Point
BW-1165	Satin Finish Combination Wrench 11/16" - 12 Point
BW-1166	Satin Finish Combination Wrench 3/4" - 12 Point
BW-1167	Satin Finish Combination Wrench 7/8" - 12 Point
BW-1167A	Satin Finish Combination Wrench 13/16" - 12 Point
BW-1168	Satin Finish Combination Wrench 15/16" - 12 Point
BW-1170	Satin Finish Combination Wrench 1" - 12 Point
BW-1306	XL Combination Ratcheting Wrench - 5/16"
BW-1308	XL Combination Ratcheting Wrench - 11/32"
BW-1308M	XL Combination Ratcheting Wrench - 8mm
BW-1309M	XL Combination Ratcheting Wrench - 9mm
BW-1310	XL Combination Ratcheting Wrench - 3/8"
BW-1310M	XL Combination Ratcheting Wrench - 10mm
BW-1311M	XL Combination Ratcheting Wrench - 11mm
BW-1312	XL Combination Ratcheting Wrench - 7/16"
BW-1312M	XL Combination Ratcheting Wrench - 12mm
BW-1313M	XL Combination Ratcheting Wrench - 13mm
BW-1314	XL Combination Ratcheting Wrench - 1/2"
BW-1314M	XL Combination Ratcheting Wrench - 14mm
BW-1315M	XL Combination Ratcheting Wrench - 15mm
BW-1316	XL Combination Ratcheting Wrench - 9/16"
BW-1316M	XL Combination Ratcheting Wrench - 16mm
BW-1317M	XL Combination Ratcheting Wrench - 17mm
BW-1318	XL Combination Ratcheting Wrench - 5/8"
BW-1318M	XL Combination Ratcheting Wrench - 18mm
BW-1320	XL Combination Ratcheting Wrench - 11/16"

Contents	Description
BW-1322	XL Combination Ratcheting Wrench - 3/4"
BW-1324	XL Combination Ratcheting Wrench - 13/16"
BWS-1202P	Box-End Wrench Long - Inch 5/16" x 3/8"
BWS-1206P	Box-End Wrench Long - Inch 7/16" x 1/2"
BWS-1211P	Box-End Wrench Long - Inch 9/16" x 5/8"
BWS-1214P	Box-End Wrench Long - Inch 11/16" x 3/4"
BWS-1216P	Box-End Wrench Long - Inch 13/16" x 7/8"
BWS-1218P	Box-End Wrench Long - Inch 15/16" x 1"
CT-1003	Cold Chisel 5 1/4" Length, 3/8" Edge
CT-1004	Cold Chisel 5 1/2" Length, 7/16" Edge
CT-1006	Cold Chisel 6-1/2" Length, 5/8" Edge
CT-1008	Cold Chisel 7" Length, 3/4" Edge
CT-1010	Cold Chisel 7-1/2" Length, 7/8" Edge
CT-1108	Long Cold Chisel 3/4" Length 12"
CT-1110	Long Cold Chisel 7/8" Length 12"
CT-1156	Flat Cape Chisel
CT-1254	Diamond Point Chisel 5" Length, 3/16" Edge
CT-1303	Center Punch 5" Length, 5/32" Point
CT-1304	Center Punch 5-1/2" Length, 3/16" Point
CT-1306	Center Punch 6" Length, 1/4" Point
CT-1314	Scribing Punch 5" Length, 5/32"
CT-1404	Hand Punch 3/8" Length 5"
CT-1453	Pin Punch 5" Length, 1/8" Point
CT-1454	Pin Punch 5 1/4" Length, 5/32" Point
CT-1456	Pin Punch 5 1/2" Length, 3/16" Point
CT-1464	Pin Punch 7" Length, 1/4" Point
CT-1466	Pin Punch 7" Length, 5/16" Point
CT-1509	Aligning Punch 11" Length, 1/4" Point
CT-1554	Long Taper Punch 1/2" Length 8-1/2"
CT-1556	Long Taper Punch 1/2" Length 9"
CT-1558	Long Taper Punch 5/8" Length 11"
DT-55	Screw Extractor Set
FN-1012MP	Flare Nut Wrench - Metric 10 mm x 12 mm
FN-1314MP	Flare Nut Wrench - Metric 13 mm x 14 mm
FN-1402P	Flare Nut Wrench - Inch 3/8" x 7/16"
FN-1404P	Flare Nut Wrench - Inch 1/2" x 9/16"
FN-1406P	Flare Nut Wrench - Inch 5/8" x 11/16"
FN-1410P	Flare Nut Wrench - Inch 3/4" x 1"
FN-1517MP	Flare Nut Wrench - Metric 15 mm x 17 mm
FN-1921MP	Flare Nut Wrench - Metric 19 mm x 21 mm
FT-1124	10 Piece Hacksaw Blades
FT-1202	Adjustable Hacksaw Frame
GW-1506	6 Point Deep Inch Socket 1/4" Drive 3/16"
GW-1507	6 Point Deep Inch Socket 1/4" Drive 7/32"
GW-1508	6 Point Deep Inch Socket 1/4" Drive 1/4"
GW-1509	6 Point Deep Inch Socket 1/4" Drive 9/32"
GW-1510	6 Point Deep Inch Socket 1/4" Drive 5/16"
GW-1511	6 Point Deep Inch Socket 1/4" Drive 11/32"
GW-1512	6 Point Deep Inch Socket 1/4" Drive 3/8"
GW-1514	6 Point Deep Inch Socket 1/4" Drive 7/16"
GW-1516	6 Point Deep Inch Socket 1/4" Drive 1/2"
GW-1605	6 Point Standard Inch Socket 1/4" Drive 5/32"





687 PIECE MASTER TOOL SET, *continued*

Item #: 970687

Contents	Description
GW-1606	6 Point Standard Inch Socket 1/4" Drive 3/16"
GW-1607	6 Point Standard Inch Socket 1/4" Drive 7/32"
GW-1608	6 Point Standard Inch Socket 1/4" Drive 1/4"
GW-1609	6 Point Standard Inch Socket 1/4" Drive 9/32"
GW-1610	6 Point Standard Inch Socket 1/4" Drive 5/16"
GW-1611	6 Point Standard Inch Socket 1/4" Drive 11/32"
GW-1612	6 Point Standard Inch Socket 1/4" Drive 3/8"
GW-1614	6 Point Standard Inch Socket 1/4" Drive 7/16"
GW-1616	6 Point Standard Inch Socket 1/4" Drive 1/2"
GW-1705	12 Point Standard Inch Socket 1/4" Drive 5/32"
GW-1706	12 Point Standard Inch Socket 1/4" Drive 3/16"
GW-1707	12 Point Standard Inch Socket 1/4" Drive 7/32"
GW-1708	12 Point Standard Inch Socket 1/4" Drive 1/4"
GW-1709	12 Point Standard Inch Socket 1/4" Drive 9/32"
GW-1710	12 Point Standard Inch Socket 1/4" Drive 5/16"
GW-1711	12 Point Standard Inch Socket 1/4" Drive 11/32"
GW-1712	12 Point Standard Inch Socket 1/4" Drive 3/8"
GW-1714	12 Point Standard Inch Socket 1/4" Drive 7/16"
GW-1716	12 Point Standard Inch Socket 1/4" Drive 1/2"
GW-504M	6 Point Deep Metric Socket 1/4" Drive 4 mm
GW-505M	6 Point Deep Metric Socket 1/4" Drive 5 mm
GW-506M	6 Point Deep Metric Socket 1/4" Drive 6 mm
GW-507M	6 Point Deep Metric Socket 1/4" Drive 7 mm
GW-508M	6 Point Deep Metric Socket 1/4" Drive 8 mm
GW-509M	6 Point Deep Metric Socket 1/4" Drive 9 mm
GW-510M	6 Point Deep Metric Socket 1/4" Drive 10 mm
GW-511M	6 Point Deep Metric Socket 1/4" Drive 11 mm
GW-512M	6 Point Deep Metric Socket 1/4" Drive 12 mm
GW-513M	6 Point Deep Metric Socket 1/4" Drive 13 mm
GW-604M	6 Point Standard Metric Socket 1/4" Drive 4 mm
GW-605M	6 Point Standard Metric Socket 1/4" Drive 5 mm
GW-606M	6 Point Standard Metric Socket 1/4" Drive 6 mm
GW-607M	6 Point Standard Metric Socket 1/4" Drive 7 mm
GW-608M	6 Point Standard Metric Socket 1/4" Drive 8 mm
GW-609M	6 Point Standard Metric Socket 1/4" Drive 9 mm
GW-610M	6 Point Standard Metric Socket 1/4" Drive 10 mm
GW-611M	6 Point Standard Metric Socket 1/4" Drive 11 mm
GW-612M	6 Point Standard Metric Socket 1/4" Drive 12 mm
GW-613M	6 Point Standard Metric Socket 1/4" Drive 13 mm
GW-645M	6 Point Standard Metric Socket 1/4" Drive 4.5 mm
GW-655M	6 Point Standard Metric Socket 1/4" Drive 5.5 mm
GW-705M	12 Point Standard Metric Socket 1/4" Drive 5 mm
GW-706M	12 Point Standard Metric Socket 1/4" Drive 6 mm
GW-707M	12 Point Standard Metric Socket 1/4" Drive 7 mm
GW-708M	12 Point Standard Metric Socket 1/4" Drive 8 mm
GW-709M	12 Point Standard Metric Socket 1/4" Drive 9 mm
GW-710M	12 Point Standard Metric Socket 1/4" Drive 10 mm
GW-711M	12 Point Standard Metric Socket 1/4" Drive 11 mm
GW-712M	12 Point Standard Metric Socket 1/4" Drive 12 mm
GW-713M	12 Point Standard Metric Socket 1/4" Drive 13 mm
GW-9749B	1/4" Drive Flex Handle
GW-9898L	1/4" Drive Locking Extension 4"

Contents	Description
GW-9899L	1/4" Drive Locking Extension 6"
HW-1512	6 Point Deep Inch Socket 3/8" Drive 3/8"
HW-1514	6 Point Deep Inch Socket 3/8" Drive 7/16"
HW-1516	6 Point Deep Inch Socket 3/8" Drive 1/2"
HW-1518	6 Point Deep Inch Socket 3/8" Drive 9/16"
HW-1520	6 Point Deep Inch Socket 3/8" Drive 5/8"
HW-1520S	3/8" Drive Spark Plug Socket 5/8"
HW-1522	6 Point Deep Inch Socket 3/8" Drive 11/16"
HW-1524	6 Point Deep Inch Socket 3/8" Drive 3/4"
HW-1526	6 Point Deep Inch Socket 3/8" Drive 13/16"
HW-1526S	Spark Plug Socket 3/8" Drive 13/16"
HW-1528	6 Point Deep Inch Socket 3/8" Drive 7/8"
HW-9404M-2	3/8" Drive Hex Bit Socket - 4 mm
HW-9405M-2	3/8" Drive Hex Bit Socket - 5 mm
HW-9406M-2	3/8" Drive Hex Bit Socket - 6 mm
HW-9407M-2	3/8" Drive Hex Bit Socket - 7 mm
HW-9408M-2	3/8" Drive Hex Bit Socket - 8 mm
HW-9410M-2	3/8" Drive Hex Bit Socket - 10 mm
HW-9442-2	3/8" Drive Hex Bit Socket - 1/8"
HW-9443-2	3/8" Drive Hex Bit Socket - 9/64"
HW-9444-2	3/8" Drive Hex Bit Socket - 5/32"
HW-9445-2	3/8" Drive Hex Bit Socket - 3/8"
HW-9446-2	3/8" Drive Hex Bit Socket - 5/16"
HW-9447-2	3/8" Drive Hex Bit Socket - 1/4"
HW-9448-2	3/8" Drive Hex Bit Socket - 7/32"
HW-9449-2	3/8" Drive Hex Bit Socket - 3/16"
HW-9450-2	3/8" Drive Phillips® Bit Socket - #1
HW-9451-2	3/8" Drive Phillips® Bit Socket - #2
HW-9452-2	3/8" Drive Phillips® Bit Socket - #3
HW-9505-2	3/8" Drive Slotted Bit Socket - 1/4"
HW-9506-2	3/8" Drive Slotted Bit Socket - 5/16"
HW-9606-2	1/2" Drive Hex Bit Socket - 5/16"
HW-9607-2	1/2" Drive Hex Bit Socket - 3/8"
HW-9608-2	1/2" Drive Hex Bit Socket - 7/16"
HW-9609-2	1/2" Drive Hex Bit Socket - 1/2"
HW-9610-2	1/2" Drive Hex Bit Socket - 9/16"
HW-9611-2	1/2" Drive Hex Bit Socket - 5/8"
HW-9612-2	1/2" Drive Hex Bit Socket - 3/4"
J380	Retaining Ring Pliers Set with Replacement Tips
MT-1049	25 Blade All-Purpose Feeler Gauge
PT-1003-2	8" Slip Joint Pliers
PT-1050-2	Wire Stripper
PT-1052-2	6" Diagonal Cutting Pliers
PT-1105-2	5" Curved Jaw Locking Pliers
PT-1107S	7" Flat Jaw Locking Pliers
PT-1108-2	9" Linemans Pliers
PT-1110-2	10" Curved Jaw Locking Pliers
PT-1128-2	6" Needle Nose Cutting Pliers - Heavy Duty
PT-1130-2	6" End Nipper Pliers
PT-1149-2	6" Curved Needle Nose Pliers
PT-1154-2	5" Precision Needle Nose Pliers
PT-1206L	6" Long Nose Locking Pliers - Quick Release



687 PIECE MASTER TOOL SET, *continued*

Item #: 970687

Contents	Description
PT-1207	7" Curved Jaw Locking Pliers - Quick Release
PT-1210	10" Curved Jaw Locking Pliers - Quick Release
PT-1250-2	10" Rib Lock Pliers
PT-1257-2	Long Reach 45 Degree Bent Nose Pliers
PT-1258-2	Long Reach Needle Nose Pliers
ST-1048S	Electrician's Slotted Tip Screwdriver 8" Blade, 3/16" Tip
ST-252C	3/32" Cabinet Screwdriver - 2" Blade
ST-303S	1/8" Slotted Screwdriver - 3" Blade
ST-353C	9/64" Cabinet Screwdriver - 3" Blade
ST-404S	5/32" Slotted Screwdriver - 4" Blade
ST-555C	3/16" Cabinet Screwdriver - 5" Blade
ST-555S	7/32" Slotted Screwdriver - 5" Blade
ST-655S	1/4" Slotted Screwdriver - 5" Blade
ST-656C	1/4" Cabinet Screwdriver - 6" Blade
ST-65SH	1/4" Slotted Stubby Screwdriver - 1-1/4" Blade
ST-803	Nut Driver Inch 1/4"
ST-806	Nut Driver Inch 5/16"
ST-807S	5/16" Slotted Screwdriver - 7" Blade
ST-809	Nut Driver Inch 11/32"
ST-812	Nut Driver Inch 3/8"
ST-815	Nut Driver Inch 7/16"
ST-818	Nut Driver Inch 1/2"
ST-905M	Nut Driver Metric 5 mm
ST-907M	Nut Driver Metric 7 mm
ST-908M	Nut Driver Metric 8 mm
ST-909M	Nut Driver Metric 9 mm
ST-910M	Nut Driver Metric 10 mm
ST-955M	Nut Driver Metric 5.5 mm
ST-PH1-4	#1 Phillips® Screwdriver - 4" Blade
ST-PH2-5	#2 Phillips® Screwdriver - 5" Blade
ST-PH2-SH	#2 Phillips® Stubby Screwdriver - 1-1/4" Blade
ST-PH3-6B	#3 Phillips® Screwdriver - 6" Blade
ST-PH4-8B	#4 Phillips® Screwdriver - 8" Blade
ST-SS1	1/4" Drive Socket Spinner
ST-T10-3	T10 Torx® Screwdriver - 3" Blade
ST-T15-3	T15 Torx® Screwdriver - 3" Blade
ST-T20-4	T20 Torx® Screwdriver - 4" Blade
ST-T25-4	T25 Torx® Screwdriver - 4" Blade
ST-T27-4	T27 Torx® Screwdriver - 4" Blade
ST-T30-5	T30 Torx® Screwdriver - 5" Blade
U-1508-2	3/8" Drive 1/4" Impact Socket - 6 Point

Contents	Description
U-1510-2	3/8" Drive 5/16" Impact Socket - 6 Point
U-1510M-2	3/8" Drive 10mm Impact Socket - 6 Point
U-1512-2	3/8" Drive 3/8" Impact Socket - 6 Point
U-1512M-2	3/8" Drive 12mm Impact Socket - 6 Point
U-1513M-2	3/8" Drive 13mm Impact Socket - 6 Point
U-1514-2	3/8" Drive 7/16" Impact Socket - 6 Point
U-1514M-2	3/8" Drive 14mm Impact Socket - 6 Point
U-1515M-2	3/8" Drive 15mm Impact Socket - 6 Point
U-1516-2	3/8" Drive 1/2" Impact Socket - 6 Point
U-1517M-2	3/8" Drive 17mm Impact Socket - 6 Point
U-1518-2	3/8" Drive 9/16" Impact Socket - 6 Point
U-1518M-2	3/8" Drive 18mm Impact Socket - 6 Point
U-1519M-2	3/8" Drive 19mm Impact Socket - 6 Point
U-1520-2	3/8" Drive 5/8" Impact Socket - 6 Point
U-1522-2	3/8" Drive 11/16" Impact Socket - 6 Point
UW-1614-2	1/2" Drive 7/16" Impact Socket - 6 Point
UW-1616-2	1/2" Drive 1/2" Impact Socket - 6 Point
UW-1618-2	1/2" Drive 9/16" Impact Socket - 6 Point
UW-1620-2	1/2" Drive 5/8" Impact Socket - 6 Point
UW-1622-2	1/2" Drive 11/16" Impact Socket - 6 Point
UW-1624-2	1/2" Drive 3/4" Impact Socket - 6 Point
UW-1626-2	1/2" Drive 13/16" Impact Socket - 6 Point
UW-1628-2	1/2" Drive 7/8" Impact Socket - 6 Point
UW-1630-2	1/2" Drive 15/16" Impact Socket - 6 Point
UW-1632-2	1/2" Drive 1" Impact Socket - 6 Point
UW-1634-2	1/2" Drive 1-1/16" Impact Socket - 6 Point
UW-614M-2	1/2" Drive 14mm Impact Socket - 6 Point
UW-615M-2	1/2" Drive 15mm Impact Socket - 6 Point
UW-616M-2	1/2" Drive 16mm Impact Socket - 6 Point
UW-617M-2	1/2" Drive 17mm Impact Socket - 6 Point
UW-618M-2	1/2" Drive 18mm Impact Socket - 6 Point
UW-619M-2	1/2" Drive 19mm Impact Socket - 6 Point
UW-620M-2	1/2" Drive 20mm Impact Socket - 6 Point
UW-621M-2	1/2" Drive 21mm Impact Socket - 6 Point
UW-622M-2	1/2" Drive 22mm Impact Socket - 6 Point
UW-624M-2	1/2" Drive 24mm Impact Socket - 6 Point
UW-627M-2	1/2" Drive 27mm Impact Socket - 6 Point
ZW-53	13 Piece Standard Hex Wrench Set
ZW-59	13 Piece Standard Long Hex Key Wrench Set
ZW-69	9 Piece Metric Hex Key Wrench Set





660 PIECE MASTER TOOL SET

Item #: 970660

362 - Sockets & Accessories

98 - Miscellaneous Tools

10 - Pliers

34 - Screwdrivers

23 - Striking & Struck

133 - Wrenches

- 1/4", 3/8", & 1/2" Drives with Ratchets
- Chrome and Impact Sockets
- Standard and Metric Sizing
- Wrenches: Ignition; Open-Ended; Flare Nut; Combination – Fixed, XL Combination Ratcheting, Locking Flex Ratcheting, Stubby Reversible Ratcheting; Double Box-End – Fixed, Torx® Reversible Ratcheting; Adjustable
- Weight (lbs): 156.74



Contents	Description
30010A	12 Point Standard Inch Socket 3/8" Drive 5/16"
30012	12 Point Standard Inch Socket 3/8" Drive 3/8"
30014	12 Point Standard Inch Socket 3/8" Drive 7/16"
30016	12 Point Standard Inch Socket 3/8" Drive 1/2"
30018	12 Point Standard Inch Socket 3/8" Drive 9/16"
30020	12 Point Standard Inch Socket 3/8" Drive 5/8"
30022	12 Point Standard Inch Socket 3/8" Drive 11/16"
30024	12 Point Standard Inch Socket 3/8" Drive 3/4"
30026	12 Point Standard Inch Socket 3/8" Drive 13/16"
30028	12 Point Standard Inch Socket 3/8" Drive 7/8"
30320SA	3/8" Drive Flex Spark Plug Socket

Contents	Description
30412	12 Point Deep Inch Socket 3/8" Drive 3/8"
30414	12 Point Deep Inch Socket 3/8" Drive 7/16"
30416	12 Point Deep Inch Socket 3/8" Drive 1/2"
30418	12 Point Deep Inch Socket 3/8" Drive 9/16"
30420	12 Point Deep Inch Socket 3/8" Drive 5/8"
30422	12 Point Deep Inch Socket 3/8" Drive 11/16"
30424	12 Point Deep Inch Socket 3/8" Drive 3/4"
30426	12 Point Deep Inch Socket 3/8" Drive 13/16"
30428	12 Point Deep Inch Socket 3/8" Drive 7/8"
30430	12 Point Deep Inch Socket 3/8" Drive 15/16"
30432	12 Point Deep Inch Socket 3/8" Drive 1"



660 PIECE MASTER TOOL SET, *continued***Item #: 970660**

Contents	Description
30612	6 Point Standard Inch Socket 3/8" Drive 3/8"
30614	6 Point Standard Inch Socket 3/8" Drive 7/16"
30616	6 Point Standard Inch Socket 3/8" Drive 1/2"
30618	6 Point Standard Inch Socket 3/8" Drive 9/16"
30620	6 Point Standard Inch Socket 3/8" Drive 5/8"
30622	6 Point Standard Inch Socket 3/8" Drive 11/16"
30624	6 Point Standard Inch Socket 3/8" Drive 3/4"
30626	6 Point Standard Inch Socket 3/8" Drive 13/16"
30628	6 Point Standard Inch Socket 3/8" Drive 7/8"
30630	6 Point Standard Inch Socket 3/8" Drive 15/16"
30632	6 Point Standard Inch Socket 3/8" Drive 1"
31108	8 Point Standard Inch Socket 3/8" Drive 1/4"
31110	8 Point Standard Inch Socket 3/8" Drive 5/16"
31112	8 Point Standard Inch Socket 3/8" Drive 3/8"
31114	8 Point Standard Inch Socket 3/8" Drive 7/16"
31116	8 Point Standard Inch Socket 3/8" Drive 1/2"
3114	Ignition Open-End Wrench 13/64"
3116	Ignition Open-End Wrench 7/32"
3118	Ignition Open-End Wrench 15/64"
3120	Ignition Open-End Wrench 1/4"
3122	Ignition Open-End Wrench 17/64"
3124	Ignition Open-End Wrench 9/32"
3128	Ignition Open-End Wrench 5/16"
32007M	6 Point Standard Metric Socket 3/8" Drive 7 mm
32008M	6 Point Standard Metric Socket 3/8" Drive 8 mm
32009M	6 Point Standard Metric Socket 3/8" Drive 9 mm
32010M	6 Point Standard Metric Socket 3/8" Drive 10 mm
32011M	6 Point Standard Metric Socket 3/8" Drive 11 mm
32012M	6 Point Standard Metric Socket 3/8" Drive 12 mm
32013M	6 Point Standard Metric Socket 3/8" Drive 13 mm
32014M	6 Point Standard Metric Socket 3/8" Drive 14 mm
32015M	6 Point Standard Metric Socket 3/8" Drive 15 mm
32016M	6 Point Standard Metric Socket 3/8" Drive 16 mm
32017M	6 Point Standard Metric Socket 3/8" Drive 17 mm
32018M	6 Point Standard Metric Socket 3/8" Drive 18 mm
32019M	6 Point Standard Metric Socket 3/8" Drive 19 mm
32020M	6 Point Standard Metric Socket 3/8" Drive 20 mm
32021M	6 Point Standard Metric Socket 3/8" Drive 21 mm
34008M	12 Point Standard Metric Socket 3/8" Drive 8 mm
34009M	12 Point Standard Metric Socket 3/8" Drive 9 mm
34010M	12 Point Standard Metric Socket 3/8" Drive 10 mm
34011M	12 Point Standard Metric Socket 3/8" Drive 11 mm
34012M	12 Point Standard Metric Socket 3/8" Drive 12 mm
34013M	12 Point Standard Metric Socket 3/8" Drive 13 mm
34014M	12 Point Standard Metric Socket 3/8" Drive 14 mm
34015M	12 Point Standard Metric Socket 3/8" Drive 15 mm
34016M	12 Point Standard Metric Socket 3/8" Drive 16 mm
34017M	12 Point Standard Metric Socket 3/8" Drive 17 mm
34018M	12 Point Standard Metric Socket 3/8" Drive 18 mm
34019M	12 Point Standard Metric Socket 3/8" Drive 19 mm
34020M	12 Point Standard Metric Socket 3/8" Drive 20 mm
34021M	12 Point Standard Inch Socket 3/8" Drive 21 mm

Contents	Description
34022M	12 Point Standard Inch Socket 3/8" Drive 22 mm
34960	1/4" Drive 1/4" x 3/8" Adapter
34963	3/8" Drive 3/8" x 1/4" Adapter
34965	1/2" Drive 1/2" x 3/8" Adapter
34982	3/8" Drive Speeder Handle
34983	3/8" Drive Extension 19"
34986B	3/8" Drive Flex Handle
34987L	3/8" Drive Locking Extension 6"
34988L	3/8" Drive Locking Extension 3"
34989	3/8" Drive Extension 1-3/4"
40112	12 Point Standard Inch Socket 1/2" Drive 3/8"
40114	12 Point Standard Inch Socket 1/2" Drive 7/16"
40116	12 Point Standard Inch Socket 1/2" Drive 1/2"
40118	12 Point Standard Inch Socket 1/2" Drive 9/16"
40120	12 Point Standard Inch Socket 1/2" Drive 5/8"
40122	12 Point Standard Inch Socket 1/2" Drive 11/16"
40124	12 Point Standard Inch Socket 1/2" Drive 3/4"
40126	12 Point Standard Inch Socket 1/2" Drive 13/16"
40128	12 Point Standard Inch Socket 1/2" Drive 7/8"
40130	12 Point Standard Inch Socket 1/2" Drive 15/16"
40132	12 Point Standard Inch Socket 1/2" Drive 1"
40134	12 Point Standard Inch Socket 1/2" Drive 1-1/16"
40136	12 Point Standard Inch Socket 1/2" Drive 1-1/8"
40138	12 Point Standard Inch Socket 1/2" Drive 1-3/16"
40140	12 Point Standard Inch Socket 1/2" Drive 1-1/4"
4020P	Full Polish - Open-End Wrench Inch 1/4" x 5/16"
40316	12 Point Deep Inch Socket 1/2" Drive 1/2"
40318	12 Point Deep Inch Socket 1/2" Drive 9/16"
40320	12 Point Deep Inch Socket 1/2" Drive 5/8"
40320S	6 Point 1/2" Drive Spark Plug Socket 5/8"
40322	12 Point Deep Inch Socket 1/2" Drive 11/16"
40324	12 Point Deep Inch Socket 1/2" Drive 3/4"
40326	12 Point Deep Inch Socket 1/2" Drive 13/16"
40326S	6 Point 1/2" Drive Spark Plug Socket 13/16"
40328	12 Point Deep Inch Socket 1/2" Drive 7/8"
40330	12 Point Deep Inch Socket 1/2" Drive 15/16"
40332	12 Point Deep Inch Socket 1/2" Drive 1"
40334	12 Point Deep Inch Socket 1/2" Drive 1-1/16"
40336	12 Point Deep Inch Socket 1/2" Drive 1-1/8"
40416	6 Point Deep Inch Socket 1/2" Drive 1/2"
40418	6 Point Deep Inch Socket 1/2" Drive 9/16"
40420	6 Point Deep Inch Socket 1/2" Drive 5/8"
40422	6 Point Deep Inch Socket 1/2" Drive 11/16"
40424	6 Point Deep Inch Socket 1/2" Drive 3/4"
40426	6 Point Deep Inch Socket 1/2" Drive 13/16"
40428	6 Point Deep Inch Socket 1/2" Drive 7/8"
40430	6 Point Deep Inch Socket 1/2" Drive 15/16"
40432	6 Point Deep Inch Socket 1/2" Drive 1"
40434	6 Point Deep Inch Socket 1/2" Drive 1-1/16"
40436	6 Point Deep Inch Socket 1/2" Drive 1-1/8"
40612	6 Point Standard Inch Socket 1/2" Drive 3/8"
40614	6 Point Standard Inch Socket 1/2" Drive 7/16"





660 PIECE MASTER TOOL SET, *continued*

Item #: 970660

Contents	Description
40616	6 Point Standard Inch Socket 1/2" Drive 1/2"
40618	6 Point Standard Inch Socket 1/2" Drive 9/16"
40620	6 Point Standard Inch Socket 1/2" Drive 5/8"
40622	6 Point Standard Inch Socket 1/2" Drive 11/16"
40624	6 Point Standard Inch Socket 1/2" Drive 3/4"
40626	6 Point Standard Inch Socket 1/2" Drive 13/16"
40628	6 Point Standard Inch Socket 1/2" Drive 7/8"
40630	6 Point Standard Inch Socket 1/2" Drive 15/16"
40632	6 Point Standard Inch Socket 1/2" Drive 1"
40634	6 Point Standard Inch Socket 1/2" Drive 1-1/16"
40636	6 Point Standard Inch Socket 1/2" Drive 1-1/8"
42010M	6 Point Standard Metric Socket 1/2" Drive 10 mm
42011M	6 Point Standard Metric Socket 1/2" Drive 11 mm
42012M	6 Point Standard Metric Socket 1/2" Drive 12 mm
42013M	6 Point Standard Metric Socket 1/2" Drive 13 mm
42014M	6 Point Standard Metric Socket 1/2" Drive 14 mm
42015M	12 Point Standard Metric Socket 1/2" Drive 15 mm
42017M	12 Point Standard Metric Socket 1/2" Drive 17 mm
42019M	12 Point Standard Metric Socket 1/2" Drive 19 mm
42021M	12 Point Standard Metric Socket 1/2" Drive 21 mm
42022M	12 Point Standard Metric Socket 1/2" Drive 22 mm
42023M	12 Point Standard Metric Socket 1/2" Drive 23 mm
42024M	12 Point Standard Metric Socket 1/2" Drive 24 mm
42027M	12 Point Standard Metric Socket 1/2" Drive 27 mm
43010M	12 Point Standard Metric Socket 1/2" Drive 10 mm
43011M	12 Point Standard Metric Socket 1/2" Drive 11 mm
43012M	12 Point Standard Metric Socket 1/2" Drive 12 mm
43013M	12 Point Standard Metric Socket 1/2" Drive 13 mm
43014M	12 Point Standard Metric Socket 1/2" Drive 14 mm
43015M	12 Point Standard Metric Socket 1/2" Drive 15 mm
43017M	6 Point Standard Metric Socket 1/2" Drive 17 mm
43019M	6 Point Standard Metric Socket 1/2" Drive 19 mm
43021M	6 Point Standard Metric Socket 1/2" Drive 21 mm
43022M	6 Point Standard Metric Socket 1/2" Drive 22 mm
43023M	6 Point Standard Metric Socket 1/2" Drive 23 mm
43024M	6 Point Standard Metric Socket 1/2" Drive 24 mm
43027M	6 Point Standard Metric Socket 1/2" Drive 27 mm
44010M	12 Point Deep Metric Socket 1/2" Drive 10 mm
44011M	12 Point Deep Metric Socket 1/2" Drive 11 mm
44012M	12 Point Deep Metric Socket 1/2" Drive 12 mm
44013M	12 Point Deep Metric Socket 1/2" Drive 13 mm
44014M	12 Point Deep Metric Socket 1/2" Drive 14 mm
44015M	12 Point Deep Metric Socket 1/2" Drive 15 mm
44016M	12 Point Deep Metric Socket 1/2" Drive 16 mm
44017M	12 Point Deep Metric Socket 1/2" Drive 17 mm
44018M	12 Point Deep Metric Socket 1/2" Drive 18 mm
44019M	12 Point Deep Metric Socket 1/2" Drive 19 mm
44020M	12 Point Deep Metric Socket 1/2" Drive 20 mm
44021M	12 Point Deep Metric Socket 1/2" Drive 21 mm
44022M	12 Point Deep Metric Socket 1/2" Drive 22 mm
44023M	12 Point Deep Metric Socket 1/2" Drive 23 mm
44024M	12 Point Deep Metric Socket 1/2" Drive 24 mm

Contents	Description
44025M	12 Point Deep Metric Socket 1/2" Drive 25 mm
44026M	12 Point Deep Metric Socket 1/2" Drive 26 mm
44027M	12 Point Deep Metric Socket 1/2" Drive 27 mm
4723P	Full Polish - Open-End Wrench Inch 3/8" x 7/16"
4724P	Full Polish - Open-End Wrench Inch 7/16" x 1/2"
4725P	Full Polish - Open-End Wrench Inch 1/2" x 9/16"
4727P	Full Polish - Open-End Wrench Inch 5/8" x 11/16"
4728P	Full Polish - Open-End Wrench Inch 11/16" x 3/4"
4732P	Full Polish - Open-End Wrench Inch 13/16" x 7/8"
49964	1/2" Drive Extension 2"
49966L	1/2" Drive Locking Extension 6"
49988B	1/2" Drive Flex Handle
49990L	1/2" Drive Locking Extension 10"
49992	1/2" Drive Speeder Handle
9000-A	Insert Bit Adapter Socket
9000-T10	Insert Bit Torx® Bit T10
9000-T15	Insert Bit Torx® Bit T15
9000-T20	Insert Bit Torx® Bit T20
9000-T25	Insert Bit Torx® Bit T25
9000-T27	Insert Bit Torx® T27
9000-T30	Insert Bit Torx® Bit T30
9000-T7	Torx® Bit T7
9000-T8	Torx® Bit T8
900-1	Insert Bit Slotted 1/8"
900-2	Insert Bit Slotted 9/64"
900-20	Insert Bit # 0 Point Phillips®
900-21	Insert Bit # 1 Point Phillips®
900-22	Insert Bit # 2 Point Phillips®
900-23	Insert Bit # 3 Point Phillips®
900-3	Insert Bit Slotted 5/32"
900-4	Insert Bit Slotted 3/16"
900-5	Insert Bit Slotted 7/32"
900-6	Insert Bit Slotted 1/4"
900-60	Hex Bit, 5/64"
900-61	Hex Bit, 1/8"
900-62	Hex Bit, 5/32"
900-63	Hex Bit, 3/16"
900-64	Hex Bit, 1/4"
900-8	Insert Bit Slotted 5/16"
AW-1004-2	Adjustable Wrench - 4"
AW-1006-2	Adjustable Wrench - 6"
AW-1008-2	Adjustable Wrench - 8"
AW-1010-2	Adjustable Wrench - 10"
AW-1012-2	Adjustable Wrench - 12"
BI-31S	31 Piece Insert Bit Set
BP-1214QR	1/4" Drive Quick-Release Ratchet
BP-1338QR	3/8" Drive Quick-Release Ratchet
BP-1412QR	1/2" Drive Quick-Release Ratchet
BW-0608T	External Torx® Double Box Ratcheting Wrench E6 x E8
BW-1012T	External Torx® Double Box Ratcheting Wrench E10 x E12
BW-1110M	Satin Finish Combination Wrench 10mm - 12 Point
BW-1111M	Satin Finish Combination Wrench 11mm - 12 Point



660 PIECE MASTER TOOL SET, *continued*

Item #: 970660

Contents	Description
BW-1112M	Satin Finish Combination Wrench 12mm - 12 Point
BW-1113M	Satin Finish Combination Wrench 13mm - 12 Point
BW-1114M	Satin Finish Combination Wrench 14mm - 12 Point
BW-1115M	Satin Finish Combination Wrench 15mm - 12 Point
BW-1116M	Satin Finish Combination Wrench 16mm - 12 Point
BW-1117M	Satin Finish Combination Wrench 17mm - 12 Point
BW-1118M	Satin Finish Combination Wrench 18mm - 12 Point
BW-1119M	Satin Finish Combination Wrench 19mm - 12 Point
BW-1120M	Satin Finish Combination Wrench 20mm - 12 Point
BW-1121M	Satin Finish Combination Wrench 21mm - 12 Point
BW-1122M	Satin Finish Combination Wrench 22mm - 12 Point
BW-1124M	Satin Finish Combination Wrench 24mm - 12 Point
BW-1125M	Satin Finish Combination Wrench 25mm - 12 Point
BW-1127M	Satin Finish Combination Wrench 27mm - 12 Point
BW-1128M	Satin Finish Combination Wrench 28mm - 12 Point
BW-1132M	Satin Finish Combination Wrench 32mm - 12 Point
BW-1160	Satin Finish Combination Wrench 3/8" - 12 Point
BW-1161	Satin Finish Combination Wrench 7/16" - 12 Point
BW-1162	Satin Finish Combination Wrench 1/2" - 12 Point
BW-1163	Satin Finish Combination Wrench 9/16" - 12 Point
BW-1164	Satin Finish Combination Wrench 5/8" - 12 Point
BW-1165	Satin Finish Combination Wrench 11/16" - 12 Point
BW-1166	Satin Finish Combination Wrench 3/4" - 12 Point
BW-1167	Satin Finish Combination Wrench 7/8" - 12 Point
BW-1167A	Satin Finish Combination Wrench 13/16" - 12 Point
BW-1168	Satin Finish Combination Wrench 15/16" - 12 Point
BW-1170	Satin Finish Combination Wrench 1" - 12 Point
BW-1171	Satin Finish Combination Wrench 1-1/16" - 12 Point
BW-1172	Satin Finish Combination Wrench 1-1/8" - 12 Point
BW-1173	Satin Finish Combination Wrench 1-1/4" - 12 Point
BW-1306	XL Combination Ratcheting Wrench - 5/16"
BW-1308	XL Combination Ratcheting Wrench - 11/32"
BW-1308M	XL Combination Ratcheting Wrench - 8mm
BW-1309M	XL Combination Ratcheting Wrench - 9mm
BW-1310	XL Combination Ratcheting Wrench - 3/8"
BW-1310M	XL Combination Ratcheting Wrench - 10mm
BW-1311M	XL Combination Ratcheting Wrench - 11mm
BW-1312	XL Combination Ratcheting Wrench - 7/16"
BW-1312M	XL Combination Ratcheting Wrench - 12mm
BW-1313M	XL Combination Ratcheting Wrench - 13mm
BW-1314	XL Combination Ratcheting Wrench - 1/2"
BW-1314M	XL Combination Ratcheting Wrench - 14mm
BW-1315M	XL Combination Ratcheting Wrench - 15mm
BW-1316	XL Combination Ratcheting Wrench - 9/16"
BW-1316M	XL Combination Ratcheting Wrench - 16mm
BW-1317M	XL Combination Ratcheting Wrench - 17mm
BW-1318	XL Combination Ratcheting Wrench - 5/8"
BW-1318M	XL Combination Ratcheting Wrench - 18mm
BW-1320	XL Combination Ratcheting Wrench - 11/16"
BW-1322	XL Combination Ratcheting Wrench - 3/4"
BW-1324	XL Combination Ratcheting Wrench - 13/16"
BW-1418T	External Torx® Double Box Ratcheting Wrench E14 x E18

Contents	Description
BW-2024T	External Torx® Double Box Ratcheting Wrench E20 x E24
BW-2206R	Stubby Reverse Ratcheting Wrench 1/4"
BW-2208R	Stubby Reverse Ratcheting Wrench 5/16"
BW-2210R	Stubby Reverse Ratcheting Wrench 3/8"
BW-2212R	Stubby Reverse Ratcheting Wrench 7/16"
BW-2214R	Stubby Reverse Ratcheting Wrench 1/2"
BW-2216R	Stubby Reverse Ratcheting Wrench 9/16"
BW-2218R	Stubby Reverse Ratcheting Wrench 5/8"
BW-2220R	Stubby Reverse Ratcheting Wrench 11/16"
BW-2222R	Stubby Reverse Ratcheting Wrench 3/4"
BW-2260R	Stubby Reverse Ratcheting Wrench 10mm
BW-2261R	Stubby Reverse Ratcheting Wrench 11mm
BW-2262R	Stubby Reverse Ratcheting Wrench 12mm
BW-2263R	Stubby Reverse Ratcheting Wrench 13mm
BW-2264R	Stubby Reverse Ratcheting Wrench 14mm
BW-2265R	Stubby Reverse Ratcheting Wrench 15mm
BW-2266R	Stubby Reverse Ratcheting Wrench 16mm
BW-2267R	Stubby Reverse Ratcheting Wrench 17mm
BW-2268R	Stubby Reverse Ratcheting Wrench 19mm
BW-2269R	Stubby Reverse Ratcheting Wrench 19mm
BW-2276R	Stubby Reverse Ratcheting Wrench 6mm
BW-2278R	Stubby Reverse Ratcheting Wrench 8mm
BW-2279R	Stubby Reverse Ratcheting Wrench 9mm
BW-3209L	Locking Flex-Head Ratcheting Wrench 5/16"
BW-3210L	Locking Flex-Head Ratcheting Wrench 3/8"
BW-3212L	Locking Flex-Head Ratcheting Wrench 7/16"
BW-3214L	Locking Flex-Head Ratcheting Wrench 1/2"
BW-3216L	Locking Flex-Head Ratcheting Wrench 9/16"
BW-3218L	Locking Flex-Head Ratcheting Wrench 5/8"
BW-3220L	Locking Flex-Head Ratcheting Wrench 11/16"
BW-3222L	Locking Flex-Head Ratcheting Wrench 3/4"
BW-3258L	Locking Flex-Head Ratcheting Wrench 8mm
BW-3259L	Locking Flex-Head Ratcheting Wrench 9mm
BW-3260AL	Locking Flex-Head Ratcheting Wrench 11mm
BW-3260L	Locking Flex-Head Ratcheting Wrench 10mm
BW-3261L	Locking Flex-Head Ratcheting Wrench 12mm
BW-3262L	Locking Flex-Head Ratcheting Wrench 13mm
BW-3263L	Locking Flex-Head Ratcheting Wrench 14mm
BW-3264L	Locking Flex-Head Ratcheting Wrench 15mm
BW-3265L	Locking Flex-Head Ratcheting Wrench 16mm
BW-3266L	Locking Flex-Head Ratcheting Wrench 17mm
BW-3267L	Locking Flex-Head Ratcheting Wrench 18mm
BW-3268L	Locking Flex-Head Ratcheting Wrench 19mm
BWS-1202P	Box-End Wrench Long - Inch 5/16" x 3/8"
BWS-1206P	Box-End Wrench Long - Inch 7/16" x 1/2"
BWS-1211P	Box-End Wrench Long - Inch 9/16" x 5/8"
BWS-1214P	Box-End Wrench Long - Inch 11/16" x 3/4"
BWS-1216P	Box-End Wrench Long - Inch 13/16" x 7/8"
BWS-1218P	Box-End Wrench Long - Inch 15/16" x 1"
CT-1003	Cold Chisel 5 1/4" Length, 3/8" Edge
CT-1004	Cold Chisel 5 1/2" Length, 7/16" Edge
CT-1006	Cold Chisel 6-1/2" Length, 5/8" Edge

Blackhawk
BY PROTO

Torx® is a trademark of Acument Intellectual Properties, LLC.

Blackhawk™ by Proto® not available in all countries.



660 PIECE MASTER TOOL SET, *continued*

Item #: 970660

Contents	Description
CT-1008	Cold Chisel 7" Length, 3/4" Edge
CT-1010	Cold Chisel 7-1/2" Length, 7/8" Edge
CT-1108	Long Cold Chisel 3/4" Length 12"
CT-1110	Long Cold Chisel 7/8" Length 12"
CT-1156	Flat Cape Chisel
CT-1254	Diamond Point Chisel 5" Length, 3/16" Edge
CT-1304	Center Punch 5-1/2" Length, 3/16" Point
CT-1306	Center Punch 6" Length, 1/4" Point
CT-1314	Scribing Punch 5" Length, 5/32"
CT-1404	Hand Punch 3/8" Length 5"
CT-1453	Pin Punch 5" Length, 1/8" Point
CT-1454	Pin Punch 5 1/4" Length, 5/32" Point
CT-1456	Pin Punch 5 1/2" Length, 3/16" Point
CT-1464	Pin Punch 7" Length, 1/4" Point
CT-1466	Pin Punch 7" Length, 5/16" Point
CT-1509	Aligning Punch 11" Length, 1/4" Point
CT-1554	Long Taper Punch 1/2" Length 8-1/2"
CT-1556	Long Taper Punch 1/2" Length 9"
CT-1558	Long Taper Punch 5/8" Length 11"
CT-1606	Pinch Bar 1/2" Length 14"
CT-1617	Pry Bars 15"
DT-55	Screw Extractor Set
FN-1012MP	Flare Nut Wrench - Metric 10 mm x 12 mm
FN-1314MP	Flare Nut Wrench - Metric 13 mm x 14 mm
FN-1402P	Flare Nut Wrench - Inch 3/8" x 7/16"
FN-1404P	Flare Nut Wrench - Inch 1/2" x 9/16"
FN-1406P	Flare Nut Wrench - Inch 5/8" x 11/16"
FN-1410P	Flare Nut Wrench - Inch 3/4" x 1"
FN-1517MP	Flare Nut Wrench - Metric 15 mm x 17 mm
FN-1921MP	Flare Nut Wrench - Metric 19 mm x 21 mm
FN-911MP	Flare Nut Wrench - Metric 9 mm x 11 mm
GW-1208	8 Point Deep Inch Socket 1/4" Drive 1/4"
GW-1210	8 Point Deep Inch Socket 1/4" Drive 5/16"
GW-1212	8 Point Deep Inch Socket 1/4" Drive 3/8"
GW-1406	12 Point Deep Inch Socket 1/4" Drive 3/16"
GW-1407	12 Point Deep Inch Socket 1/4" Drive 7/32"
GW-1408	12 Point Deep Inch Socket 1/4" Drive 1/4"
GW-1409	12 Point Deep Inch Socket 1/4" Drive 9/32"
GW-1410	12 Point Deep Inch Socket 1/4" Drive 5/16"
GW-1411	12 Point Deep Inch Socket 1/4" Drive 11/32"
GW-1412	12 Point Deep Inch Socket 1/4" Drive 3/8"
GW-1414	12 Point Deep Inch Socket 1/4" Drive 7/16"
GW-1416	12 Point Deep Inch Socket 1/4" Drive 1/2"
GW-1506	6 Point Deep Inch Socket 1/4" Drive 3/16"
GW-1507	6 Point Deep Inch Socket 1/4" Drive 7/32"
GW-1508	6 Point Deep Inch Socket 1/4" Drive 1/4"
GW-1509	6 Point Deep Inch Socket 1/4" Drive 9/32"
GW-1510	6 Point Deep Inch Socket 1/4" Drive 5/16"
GW-1511	6 Point Deep Inch Socket 1/4" Drive 11/32"
GW-1512	6 Point Deep Inch Socket 1/4" Drive 3/8"
GW-1514	6 Point Deep Inch Socket 1/4" Drive 7/16"
GW-1516	6 Point Deep Inch Socket 1/4" Drive 1/2"

Contents	Description
GW-1605	6 Point Standard Inch Socket 1/4" Drive 5/32"
GW-1605M	12 Point Deep Metric Socket 1/4" Drive 5 mm
GW-1606	6 Point Standard Inch Socket 1/4" Drive 3/16"
GW-1606M	12 Point Deep Metric Socket 1/4" Drive 6 mm
GW-1607	6 Point Standard Inch Socket 1/4" Drive 7/32"
GW-1607M	12 Point Deep Metric Socket 1/4" Drive 7 mm
GW-1608	6 Point Standard Inch Socket 1/4" Drive 1/4"
GW-1608M	12 Point Deep Metric Socket 1/4" Drive 8 mm
GW-1609	6 Point Standard Inch Socket 1/4" Drive 9/32"
GW-1609M	12 Point Deep Metric Socket 1/4" Drive 9 mm
GW-1610	6 Point Standard Inch Socket 1/4" Drive 5/16"
GW-1610M	12 Point Deep Metric Socket 1/4" Drive 10 mm
GW-1611	6 Point Standard Inch Socket 1/4" Drive 11/32"
GW-1611M	12 Point Deep Metric Socket 1/4" Drive 11 mm
GW-1612	6 Point Standard Inch Socket 1/4" Drive 3/8"
GW-1612M	12 Point Deep Metric Socket 1/4" Drive 12 mm
GW-1613M	12 Point Deep Metric Socket 1/4" Drive 13 mm
GW-1614	6 Point Standard Inch Socket 1/4" Drive 7/16"
GW-1616	6 Point Standard Inch Socket 1/4" Drive 1/2"
GW-504M	6 Point Deep Metric Socket 1/4" Drive 4 mm
GW-505M	6 Point Deep Metric Socket 1/4" Drive 5 mm
GW-506M	6 Point Deep Metric Socket 1/4" Drive 6 mm
GW-507M	6 Point Deep Metric Socket 1/4" Drive 7 mm
GW-508M	6 Point Deep Metric Socket 1/4" Drive 8 mm
GW-509M	6 Point Deep Metric Socket 1/4" Drive 9 mm
GW-510M	6 Point Deep Metric Socket 1/4" Drive 10 mm
GW-511M	6 Point Deep Metric Socket 1/4" Drive 11 mm
GW-512M	6 Point Deep Metric Socket 1/4" Drive 12 mm
GW-513M	6 Point Deep Metric Socket 1/4" Drive 13 mm
GW-604M	6 Point Standard Metric Socket 1/4" Drive 4 mm
GW-605M	6 Point Standard Metric Socket 1/4" Drive 5 mm
GW-606M	6 Point Standard Metric Socket 1/4" Drive 6 mm
GW-607M	6 Point Standard Metric Socket 1/4" Drive 7 mm
GW-608M	6 Point Standard Metric Socket 1/4" Drive 8 mm
GW-609M	6 Point Standard Metric Socket 1/4" Drive 9 mm
GW-610M	6 Point Standard Metric Socket 1/4" Drive 10 mm
GW-611M	6 Point Standard Metric Socket 1/4" Drive 11 mm
GW-612M	6 Point Standard Metric Socket 1/4" Drive 12 mm
GW-613M	6 Point Standard Metric Socket 1/4" Drive 13 mm
GW-645M	6 Point Standard Metric Socket 1/4" Drive 4.5 mm
GW-655M	6 Point Standard Metric Socket 1/4" Drive 5.5 mm
GW-705M	12 Point Standard Metric Socket 1/4" Drive 5 mm
GW-706M	12 Point Standard Metric Socket 1/4" Drive 6 mm
GW-707M	12 Point Standard Metric Socket 1/4" Drive 7 mm
GW-708M	12 Point Standard Metric Socket 1/4" Drive 8 mm
GW-709M	12 Point Standard Metric Socket 1/4" Drive 9 mm
GW-710M	12 Point Standard Metric Socket 1/4" Drive 10 mm
GW-711M	12 Point Standard Metric Socket 1/4" Drive 11 mm
GW-712M	12 Point Standard Metric Socket 1/4" Drive 12 mm
GW-713M	12 Point Standard Metric Socket 1/4" Drive 13 mm
GW-9749B	1/4" Drive Flex Handle
GW-9898L	1/4" Drive Locking Extension 4"



660 PIECE MASTER TOOL SET, *continued*

Item #: 970660

Contents	Description
GW-9899L	1/4" Drive Locking Extension 6"
HW-1512	6 Point Deep Inch Socket 3/8" Drive 3/8"
HW-1514	6 Point Deep Inch Socket 3/8" Drive 7/16"
HW-1516	6 Point Deep Inch Socket 3/8" Drive 1/2"
HW-1518	6 Point Deep Inch Socket 3/8" Drive 9/16"
HW-1520	6 Point Deep Inch Socket 3/8" Drive 5/8"
HW-1522	6 Point Deep Inch Socket 3/8" Drive 11/16"
HW-1524	6 Point Deep Inch Socket 3/8" Drive 3/4"
HW-1526	6 Point Deep Inch Socket 3/8" Drive 13/16"
HW-1528	6 Point Deep Inch Socket 3/8" Drive 7/8"
HW-9404M-2	3/8" Drive Hex Bit Socket - 4 mm
HW-9405M-2	3/8" Drive Hex Bit Socket - 5 mm
HW-9406M-2	3/8" Drive Hex Bit Socket - 6 mm
HW-9407M-2	3/8" Drive Hex Bit Socket - 7 mm
HW-9408M-2	3/8" Drive Hex Bit Socket - 8 mm
HW-9442-2	3/8" Drive Hex Bit Socket - 1/8"
HW-9443-2	3/8" Drive Hex Bit Socket - 9/64"
HW-9444-2	3/8" Drive Hex Bit Socket - 5/32"
HW-9445-2	3/8" Drive Hex Bit Socket - 3/8"
HW-9446-2	3/8" Drive Hex Bit Socket - 5/16"
HW-9447-2	3/8" Drive Hex Bit Socket - 1/4"
HW-9448-2	3/8" Drive Hex Bit Socket - 7/32"
HW-9449-2	3/8" Drive Hex Bit Socket - 3/16"
HW-9450-2	3/8" Drive Phillips® Bit Socket - #1
HW-9451-2	3/8" Drive Phillips® Bit Socket - #2
HW-9452-2	3/8" Drive Phillips® Bit Socket - #3
HW-9504-2	3/8" Drive Slotted Bit Socket - 3/16"
HW-9505-2	3/8" Drive Slotted Bit Socket - 1/4"
HW-9506-2	3/8" Drive Slotted Bit Socket - 5/16"
HW-9606-2	1/2" Drive Hex Bit Socket - 5/16"
HW-9607-2	1/2" Drive Hex Bit Socket - 3/8"
HW-9608-2	1/2" Drive Hex Bit Socket - 7/16"
HW-9609-2	1/2" Drive Hex Bit Socket - 1/2"
HW-9610-2	1/2" Drive Hex Bit Socket - 9/16"
HW-9611-2	1/2" Drive Hex Bit Socket - 5/8"
HW-9612-2	1/2" Drive Hex Bit Socket - 3/4"
PT-1003-1	8" Heavy-Duty Slip Joint
PT-1003-2	8" Slip Joint Pliers
PT-1050-2	Wire Stripper
PT-1052-2	6" Diagonal Cutting Pliers
PT-1057-2	7" Diagonal Cutting Pliers - Heavy Duty
PT-1108-2	9" Linemans Pliers
PT-1128-2	6" Needle Nose Cutting Pliers - Heavy Duty
PT-1149-2	6" Curved Needle Nose Pliers
PT-1250-2	10" Rib Lock Pliers
PT-1263-2	8" Rib Lock Pliers
ST-1048S	Electrician's Slotted Tip Screwdriver 8" Blade, 3/16" Tip
ST-252C	3/32" Cabinet Screwdriver - 2" Blade
ST-303S	1/8" Slotted Screwdriver - 3" Blade
ST-353C	9/64" Cabinet Screwdriver - 3" Blade
ST-404S	5/32" Slotted Screwdriver - 4" Blade
ST-555C	3/16" Cabinet Screwdriver - 5" Blade

Contents	Description
ST-555S	7/32" Slotted Screwdriver - 5" Blade
ST-655S	1/4" Slotted Screwdriver - 5" Blade
ST-656C	1/4" Cabinet Screwdriver - 6" Blade
ST-65SH	1/4" Slotted Stubby Screwdriver - 1-1/4" Blade
ST-803	Nut Driver Inch 1/4"
ST-806	Nut Driver Inch 5/16"
ST-807S	5/16" Slotted Screwdriver - 7" Blade
ST-809	Nut Driver Inch 11/32"
ST-812	Nut Driver Inch 3/8"
ST-815	Nut Driver Inch 7/16"
ST-818	Nut Driver Inch 1/2"
ST-905M	Nut Driver Metric 5 mm
ST-907M	Nut Driver Metric 7 mm
ST-908M	Nut Driver Metric 8 mm
ST-909M	Nut Driver Metric 9 mm
ST-910M	Nut Driver Metric 10 mm
ST-955M	Nut Driver Metric 5.5 mm
ST-PH1-4	#1 Phillips® Screwdriver - 4" Blade
ST-PH2-5	#2 Phillips® Screwdriver - 5" Blade
ST-PH2-SH	#2 Phillips® Stubby Screwdriver - 1-1/4" Blade
ST-PH3-6B	#3 Phillips® Screwdriver - 6" Blade
ST-PH4-8B	#4 Phillips® Screwdriver - 8" Blade
ST-SS1	1/4" Drive Socket Spinner
ST-T10-3	T10 Torx® Screwdriver - 3" Blade
ST-T15-3	T15 Torx® Screwdriver - 3" Blade
ST-T20-4	T20 Torx® Screwdriver - 4" Blade
ST-T25-4	T25 Torx® Screwdriver - 4" Blade
ST-T27-4	T27 Torx® Screwdriver - 4" Blade
ST-T30-5	T30 Torx® Screwdriver - 5" Blade
TS-1210	Internal Socket 1/4" Drive T10
TS-1215	Internal Socket 1/4" Drive T15
TS-1220	Internal Socket 1/4" Drive T20
TS-1225	Internal Socket 1/4" Drive T25
TS-1227	Internal Socket 1/4" Drive T27
TS-1230	Internal Socket 1/4" Drive T30
U-1508-2	3/8" Drive 1/4" Impact Socket - 6 Point
U-1508M-2	3/8" Drive 8mm Impact Socket - 6 Point
U-1509M-2	3/8" Drive 9mm Impact Socket - 6 Point
U-1510-2	3/8" Drive 5/16" Impact Socket - 6 Point
U-1510M-2	3/8" Drive 10mm Impact Socket - 6 Point
U-1512-2	3/8" Drive 3/8" Impact Socket - 6 Point
U-1512M-2	3/8" Drive 12mm Impact Socket - 6 Point
U-1513M-2	3/8" Drive 13mm Impact Socket - 6 Point
U-1514-2	3/8" Drive 7/16" Impact Socket - 6 Point
U-1514M-2	3/8" Drive 14mm Impact Socket - 6 Point
U-1515M-2	3/8" Drive 15mm Impact Socket - 6 Point
U-1516-2	3/8" Drive 1/2" Impact Socket - 6 Point
U-1517M-2	3/8" Drive 17mm Impact Socket - 6 Point
U-1518-2	3/8" Drive 9/16" Impact Socket - 6 Point
U-1518M-2	3/8" Drive 18mm Impact Socket - 6 Point
U-1519M-2	3/8" Drive 19mm Impact Socket - 6 Point
U-1520-2	3/8" Drive 5/8" Impact Socket - 6 Point

Blackhawk
BY PROTO

Phillips® is trademark of Phillips Screw Company

Blackhawk™ by Proto® not available in all countries.



660 PIECE MASTER TOOL SET, *continued*

Item #: 970660

Contents	Description
U-1522-2	3/8" Drive 11/16" Impact Socket - 6 Point
U-1524-2	3/8" Drive 3/4" Impact Socket - 6 Point
U-1608M-2	3/8" Drive 8mm Deep Impact Socket - 6 Point
U-1609M-2	3/8" Drive 9mm Deep Impact Socket - 6 Point
U-1610M-2	3/8" Drive 10mm Deep Impact Socket - 6 Point
U-1611M-2	3/8" Drive 11mm Deep Impact Socket - 6 Point
U-1612M-2	3/8" Drive 12mm Deep Impact Socket - 6 Point
U-1613M-2	3/8" Drive 13mm Deep Impact Socket - 6 Point
U-1614M-2	3/8" Drive 14mm Deep Impact Socket - 6 Point
U-1615M-2	3/8" Drive 15mm Deep Impact Socket - 6 Point
U-1616M-2	3/8" Drive 16mm Deep Impact Socket - 6 Point
U-1617M-2	3/8" Drive 17mm Deep Impact Socket - 6 Point
U-1618M-2	3/8" Drive 18mm Deep Impact Socket - 6 Point
U-1619M-2	3/8" Drive 19mm Deep Impact Socket - 6 Point
UW-1614-2	1/2" Drive 7/16" Impact Socket - 6 Point
UW-1616-2	1/2" Drive 1/2" Impact Socket - 6 Point
UW-1618-2	1/2" Drive 9/16" Impact Socket - 6 Point
UW-1620-2	1/2" Drive 5/8" Impact Socket - 6 Point
UW-1622-2	1/2" Drive 11/16" Impact Socket - 6 Point
UW-1624-2	1/2" Drive 3/4" Impact Socket - 6 Point
UW-1626-2	1/2" Drive 13/16" Impact Socket - 6 Point
UW-1628-2	1/2" Drive 7/8" Impact Socket - 6 Point
UW-1630-2	1/2" Drive 15/16" Impact Socket - 6 Point
UW-1632-2	1/2" Drive 1" Impact Socket - 6 Point
UW-1634-2	1/2" Drive 1-1/16" Impact Socket - 6 Point
UW-30-2	1/2" Drive Impact Extension - 3"

Contents	Description
UW-514M-2	1/2" Drive 14mm Deep Impact Socket - 6 Point
UW-515M-2	1/2" Drive 15mm Deep Impact Socket - 6 Point
UW-516M-2	1/2" Drive 16mm Deep Impact Socket - 6 Point
UW-517M-2	1/2" Drive 17mm Deep Impact Socket - 6 Point
UW-518M-2	1/2" Drive 18mm Deep Impact Socket - 6 Point
UW-519M-2	1/2" Drive 19mm Deep Impact Socket - 6 Point
UW-520M-2	1/2" Drive 20mm Deep Impact Socket - 6 Point
UW-521M-2	1/2" Drive 21mm Deep Impact Socket - 6 Point
UW-522M-2	1/2" Drive 22mm Deep Impact Socket - 6 Point
UW-524M-2	1/2" Drive 24mm Deep Impact Socket - 6 Point
UW-527M-2	1/2" Drive 27mm Deep Impact Socket - 6 Point
UW-614M-2	1/2" Drive 14mm Impact Socket - 6 Point
UW-615M-2	1/2" Drive 15mm Impact Socket - 6 Point
UW-616M-2	1/2" Drive 16mm Impact Socket - 6 Point
UW-617M-2	1/2" Drive 17mm Impact Socket - 6 Point
UW-618M-2	1/2" Drive 18mm Impact Socket - 6 Point
UW-619M-2	1/2" Drive 19mm Impact Socket - 6 Point
UW-620M-2	1/2" Drive 20mm Impact Socket - 6 Point
UW-621M-2	1/2" Drive 21mm Impact Socket - 6 Point
UW-622M-2	1/2" Drive 22mm Impact Socket - 6 Point
UW-624M-2	1/2" Drive 24mm Impact Socket - 6 Point
UW-627M-2	1/2" Drive 27mm Impact Socket - 6 Point
ZW-53	13 Piece Standard Hex Wrench Set
ZW-59	13 Piece Standard Long Hex Key Wrench Set
ZW-69	9 Piece Metric Hex Key Wrench Set

MASTER SETS



560 PIECE MASTER TOOL SET

Item #: 970560

330 - Sockets & Accessories

61 - Miscellaneous Tools

4 - Pliers

24 - Screwdrivers

50 - Striking & Struck

91 - Wrenches

• 1/4", 3/8", 1/2", & 3/4" Drives with Ratchets

• Chrome Hand Sockets, Impact Sockets in 3/8" Only

• Standard and Metric Sizing

• Wrenches: Ignition; Open-Ended; Flare Nut; Combination – Fixed, XL Combination Ratcheting, Reversible Ratcheting; Adjustable

• Weight (lbs): 119.09



560 PIECE MASTER TOOL SET, *continued*

Item #: 970560

Contents	Description
30010A	12 Point Standard Inch Socket 3/8" Drive 5/16"
30012	12 Point Standard Inch Socket 3/8" Drive 3/8"
30014	12 Point Standard Inch Socket 3/8" Drive 7/16"
30016	12 Point Standard Inch Socket 3/8" Drive 1/2"
30018	12 Point Standard Inch Socket 3/8" Drive 9/16"
30020	12 Point Standard Inch Socket 3/8" Drive 5/8"
30022	12 Point Standard Inch Socket 3/8" Drive 11/16"
30024	12 Point Standard Inch Socket 3/8" Drive 3/4"
30026	12 Point Standard Inch Socket 3/8" Drive 13/16"
30028	12 Point Standard Inch Socket 3/8" Drive 7/8"
30320SA	3/8" Drive Flex Spark Plug Socket
30412	12 Point Deep Inch Socket 3/8" Drive 3/8"
30414	12 Point Deep Inch Socket 3/8" Drive 7/16"
30416	12 Point Deep Inch Socket 3/8" Drive 1/2"
30418	12 Point Deep Inch Socket 3/8" Drive 9/16"
30420	12 Point Deep Inch Socket 3/8" Drive 5/8"
30422	12 Point Deep Inch Socket 3/8" Drive 11/16"
30424	12 Point Deep Inch Socket 3/8" Drive 3/4"
30426	12 Point Deep Inch Socket 3/8" Drive 13/16"
30428	12 Point Deep Inch Socket 3/8" Drive 7/8"
30430	12 Point Deep Inch Socket 3/8" Drive 15/16"
30432	12 Point Deep Inch Socket 3/8" Drive 1"
30612	6 Point Standard Inch Socket 3/8" Drive 3/8"
30614	6 Point Standard Inch Socket 3/8" Drive 7/16"
30616	6 Point Standard Inch Socket 3/8" Drive 1/2"
30618	6 Point Standard Inch Socket 3/8" Drive 9/16"
30620	6 Point Standard Inch Socket 3/8" Drive 5/8"
30622	6 Point Standard Inch Socket 3/8" Drive 11/16"
30624	6 Point Standard Inch Socket 3/8" Drive 3/4"
30626	6 Point Standard Inch Socket 3/8" Drive 13/16"
30628	6 Point Standard Inch Socket 3/8" Drive 7/8"
30630	6 Point Standard Inch Socket 3/8" Drive 15/16"
30632	6 Point Standard Inch Socket 3/8" Drive 1"
31108	8 Point Standard Inch Socket 3/8" Drive 1/4"
31110	8 Point Standard Inch Socket 3/8" Drive 5/16"
31112	8 Point Standard Inch Socket 3/8" Drive 3/8"
31114	8 Point Standard Inch Socket 3/8" Drive 7/16"
31116	8 Point Standard Inch Socket 3/8" Drive 1/2"
3114	Ignition Open-End Wrench 13/64"
3116	Ignition Open-End Wrench 7/32"
3118	Ignition Open-End Wrench 15/64"
3120	Ignition Open-End Wrench 1/4"
3122	Ignition Open-End Wrench 17/64"
3124	Ignition Open-End Wrench 9/32"
3128	Ignition Open-End Wrench 5/16"
3130	Ignition Open-End Wrench 11/32"
3132	Ignition Open-End Wrench 3/8"
3134	Ignition Open-End Wrench 7/16"
32008M	6 Point Standard Metric Socket 3/8" Drive 8 mm
32009M	6 Point Standard Metric Socket 3/8" Drive 9 mm
32010M	6 Point Standard Metric Socket 3/8" Drive 10 mm
32011M	6 Point Standard Metric Socket 3/8" Drive 11 mm

Contents	Description
32012M	6 Point Standard Metric Socket 3/8" Drive 12 mm
32013M	6 Point Standard Metric Socket 3/8" Drive 13 mm
32014M	6 Point Standard Metric Socket 3/8" Drive 14 mm
32015M	6 Point Standard Metric Socket 3/8" Drive 15 mm
32016M	6 Point Standard Metric Socket 3/8" Drive 16 mm
32017M	6 Point Standard Metric Socket 3/8" Drive 17 mm
32018M	6 Point Standard Metric Socket 3/8" Drive 18 mm
34007M	12 Point Standard Metric Socket 3/8" Drive 7 mm
34008M	12 Point Standard Metric Socket 3/8" Drive 8 mm
34009M	12 Point Standard Metric Socket 3/8" Drive 9 mm
34010M	12 Point Standard Metric Socket 3/8" Drive 10 mm
34011M	12 Point Standard Metric Socket 3/8" Drive 11 mm
34012M	12 Point Standard Metric Socket 3/8" Drive 12 mm
34013M	12 Point Standard Metric Socket 3/8" Drive 13 mm
34014M	12 Point Standard Metric Socket 3/8" Drive 14 mm
34015M	12 Point Standard Metric Socket 3/8" Drive 15 mm
34016M	12 Point Standard Metric Socket 3/8" Drive 16 mm
34017M	12 Point Standard Metric Socket 3/8" Drive 17 mm
34018M	12 Point Standard Metric Socket 3/8" Drive 18 mm
34945B	3/8" Drive Round Head Knurled Reversible Ratchet
34960	1/4" Drive 1/4" x 3/8" Adapter
34963	3/8" Drive 3/8" x 1/4" Adapter
34965	1/2" Drive 1/2" x 3/8" Adapter
34983	3/8" Drive Extension 19"
34987L	3/8" Drive Locking Extension 6"
34988L	3/8" Drive Locking Extension 3"
34989	3/8" Drive Extension 1-3/4"
40112	12 Point Standard Inch Socket 1/2" Drive 3/8"
40114	12 Point Standard Inch Socket 1/2" Drive 7/16"
40116	12 Point Standard Inch Socket 1/2" Drive 1/2"
40118	12 Point Standard Inch Socket 1/2" Drive 9/16"
40120	12 Point Standard Inch Socket 1/2" Drive 5/8"
40122	12 Point Standard Inch Socket 1/2" Drive 11/16"
40124	12 Point Standard Inch Socket 1/2" Drive 3/4"
40126	12 Point Standard Inch Socket 1/2" Drive 13/16"
40128	12 Point Standard Inch Socket 1/2" Drive 7/8"
40130	12 Point Standard Inch Socket 1/2" Drive 15/16"
40132	12 Point Standard Inch Socket 1/2" Drive 1"
40134	12 Point Standard Inch Socket 1/2" Drive 1-1/16"
40136	12 Point Standard Inch Socket 1/2" Drive 1-1/8"
40138	12 Point Standard Inch Socket 1/2" Drive 1-3/16"
40140	12 Point Standard Inch Socket 1/2" Drive 1-1/4"
4020P	Full Polish - Open-End Wrench Inch 1/4" x 5/16"
40316	12 Point Deep Inch Socket 1/2" Drive 1/2"
40318	12 Point Deep Inch Socket 1/2" Drive 9/16"
40320	12 Point Deep Inch Socket 1/2" Drive 5/8"
40320S	6 Point 1/2" Drive Spark Plug Socket 5/8"
40322	12 Point Deep Inch Socket 1/2" Drive 11/16"
40324	12 Point Deep Inch Socket 1/2" Drive 3/4"
40326	12 Point Deep Inch Socket 1/2" Drive 13/16"
40326S	6 Point 1/2" Drive Spark Plug Socket 13/16"
40328	12 Point Deep Inch Socket 1/2" Drive 7/8"

MASTER SETS



560 PIECE MASTER TOOL SET, *continued*

Item #: 970560

Contents	Description	Contents	Description
40330	12 Point Deep Inch Socket 1/2" Drive 15/16"	44012M	12 Point Deep Metric Socket 1/2" Drive 12 mm
40332	12 Point Deep Inch Socket 1/2" Drive 1"	44013M	12 Point Deep Metric Socket 1/2" Drive 13 mm
40416	6 Point Deep Inch Socket 1/2" Drive 1/2"	44014M	12 Point Deep Metric Socket 1/2" Drive 14 mm
40418	6 Point Deep Inch Socket 1/2" Drive 9/16"	44015M	12 Point Deep Metric Socket 1/2" Drive 15 mm
40420	6 Point Deep Inch Socket 1/2" Drive 5/8"	44016M	12 Point Deep Metric Socket 1/2" Drive 16 mm
40422	6 Point Deep Inch Socket 1/2" Drive 11/16"	44017M	12 Point Deep Metric Socket 1/2" Drive 17 mm
40424	6 Point Deep Inch Socket 1/2" Drive 3/4"	44018M	12 Point Deep Metric Socket 1/2" Drive 18 mm
40426	6 Point Deep Inch Socket 1/2" Drive 13/16"	44019M	12 Point Deep Metric Socket 1/2" Drive 19 mm
40428	6 Point Deep Inch Socket 1/2" Drive 7/8"	44020M	12 Point Deep Metric Socket 1/2" Drive 20 mm
40430	6 Point Deep Inch Socket 1/2" Drive 15/16"	44021M	12 Point Deep Metric Socket 1/2" Drive 21 mm
40432	6 Point Deep Inch Socket 1/2" Drive 1"	44022M	12 Point Deep Metric Socket 1/2" Drive 22 mm
40612	6 Point Standard Inch Socket 1/2" Drive 3/8"	44023M	12 Point Deep Metric Socket 1/2" Drive 23 mm
40614	6 Point Standard Inch Socket 1/2" Drive 7/16"	44024M	12 Point Deep Metric Socket 1/2" Drive 24 mm
40616	6 Point Standard Inch Socket 1/2" Drive 1/2"	44025M	12 Point Deep Metric Socket 1/2" Drive 25 mm
40618	6 Point Standard Inch Socket 1/2" Drive 9/16"	44026M	12 Point Deep Metric Socket 1/2" Drive 26 mm
40620	6 Point Standard Inch Socket 1/2" Drive 5/8"	44027M	12 Point Deep Metric Socket 1/2" Drive 27 mm
40622	6 Point Standard Inch Socket 1/2" Drive 11/16"	4723P	Full Polish - Open-End Wrench Inch 3/8" x 7/16"
40624	6 Point Standard Inch Socket 1/2" Drive 3/4"	4724P	Full Polish - Open-End Wrench Inch 7/16" x 1/2"
40626	6 Point Standard Inch Socket 1/2" Drive 13/16"	4725P	Full Polish - Open-End Wrench Inch 1/2" x 9/16"
40628	6 Point Standard Inch Socket 1/2" Drive 7/8"	4727P	Full Polish - Open-End Wrench Inch 5/8" x 11/16"
40630	6 Point Standard Inch Socket 1/2" Drive 15/16"	4728P	Full Polish - Open-End Wrench Inch 11/16" x 3/4"
40632	6 Point Standard Inch Socket 1/2" Drive 1"	4732P	Full Polish - Open-End Wrench Inch 13/16" x 7/8"
40634	6 Point Standard Inch Socket 1/2" Drive 1-1/16"	49945B	1/2" Drive Round Head Knurled Reversible Ratchet
40636	6 Point Standard Inch Socket 1/2" Drive 1-1/8"	49964L	1/2" Drive Locking Extension 3"
42010M	6 Point Standard Metric Socket 1/2" Drive 10 mm	49966L	1/2" Drive Locking Extension 6"
42011M	6 Point Standard Metric Socket 1/2" Drive 11 mm	49990L	1/2" Drive Locking Extension 10"
42012M	6 Point Standard Metric Socket 1/2" Drive 12 mm	49991	3/4" Drive 3/4" x 1/2" Adapter
42013M	6 Point Standard Metric Socket 1/2" Drive 13 mm	60026A	12 Point Standard Inch Socket 3/4" Drive 3/4"
42014M	6 Point Standard Metric Socket 1/2" Drive 14 mm	60027A	12 Point Standard Inch Socket 3/4" Drive 13/16"
42015M	12 Point Standard Metric Socket 1/2" Drive 15 mm	60028	12 Point Standard Inch Socket 3/4" Drive 7/8"
42017M	12 Point Standard Metric Socket 1/2" Drive 17 mm	60030	12 Point Socket 3/4" Drive 15/16"
42019M	12 Point Standard Metric Socket 1/2" Drive 19 mm	60032	12 Point Socket 3/4" Drive 1"
42021M	12 Point Standard Metric Socket 1/2" Drive 21 mm	60034	12 Point Socket 3/4" Drive 1-1/16"
42022M	12 Point Standard Metric Socket 1/2" Drive 22 mm	60036	12 Point Socket 3/4" Drive 1-1/8"
42023M	12 Point Standard Metric Socket 1/2" Drive 23 mm	60038	12 Point Standard Inch Socket 3/4" Drive 1-3/16"
42024M	12 Point Standard Metric Socket 1/2" Drive 24 mm	60040	12 Point Socket 3/4" Drive 1-1/4"
42027M	12 Point Standard Metric Socket 1/2" Drive 27 mm	60042	12 Point Standard Inch Socket 3/4" Drive 1-5/6"
43010M	12 Point Standard Metric Socket 1/2" Drive 10 mm	60044	12 Point Socket 3/4" Drive 1-3/8"
43011M	12 Point Standard Metric Socket 1/2" Drive 11 mm	61019M	12 Point Standard Metric Socket 3/4" Drive 19 mm
43012M	12 Point Standard Metric Socket 1/2" Drive 12 mm	61021M	12 Point Standard Metric Socket 3/4" Drive 21 mm
43013M	12 Point Standard Metric Socket 1/2" Drive 13 mm	61022M	12 Point Standard Metric Socket 3/4" Drive 22 mm
43014M	12 Point Standard Metric Socket 1/2" Drive 14 mm	61023M	12 Point Standard Metric Socket 3/4" Drive 23 mm
43015M	12 Point Standard Metric Socket 1/2" Drive 15 mm	61024M	12 Point Standard Metric Socket 3/4" Drive 24 mm
43017M	6 Point Standard Metric Socket 1/2" Drive 17 mm	61025M	12 Point Standard Metric Socket 3/4" Drive 25 mm
43019M	6 Point Standard Metric Socket 1/2" Drive 19 mm	61026M	12 Point Standard Metric Socket 3/4" Drive 26 mm
43021M	6 Point Standard Metric Socket 1/2" Drive 21 mm	61027M	12 Point Standard Metric Socket 3/4" Drive 27 mm
43022M	6 Point Standard Metric Socket 1/2" Drive 22 mm	61028M	12 Point Standard Metric Socket 3/4" Drive 28 mm
43023M	6 Point Standard Metric Socket 1/2" Drive 23 mm	61029M	12 Point Standard Metric Socket 3/4" Drive 29 mm
43024M	6 Point Standard Metric Socket 1/2" Drive 24 mm	61030M	12 Point Standard Metric Socket 3/4" Drive 30 mm
43027M	6 Point Standard Metric Socket 1/2" Drive 27 mm	69945P	3/4" Drive Pear Head Reversible Ratchet
44010M	12 Point Deep Metric Socket 1/2" Drive 10 mm	69992	1/2" Drive 1/2" x 3/4" Adapter
44011M	12 Point Deep Metric Socket 1/2" Drive 11 mm	69993	3/4" Drive 4" Extension

Blackhawk
BY PROTO

Blackhawk™ by Proto® not available in all countries.



560 PIECE MASTER TOOL SET, *continued*

Item #: 970560

Contents	Description
9000-A	Insert Bit Adapter Socket
9000-T10	Insert Bit Torx® Bit T10
9000-T15	Insert Bit Torx® Bit T15
9000-T20	Insert Bit Torx® Bit T20
9000-T25	Insert Bit Torx® Bit T25
9000-T27	Insert Bit Torx® T27
9000-T30	Insert Bit Torx® Bit T30
9000-T40	Torx® Bit T40
9000-T6	Torx® Bit T6
9000-T7	Torx® Bit T7
9000-T8	Torx® Bit T8
9000-TP10	Insert Bit Tamper-Resistant T10
9000-TP15	Insert Bit Tamper-Resistant T15
9000-TP20	Insert Bit Tamper-Resistant T20
9000-TP25	Insert Bit Tamper-Resistant T25
9000-TP27	Insert Bit Tamper-Resistant T27
900-1	Insert Bit Slotted 1/8"
900-2	Insert Bit Slotted 9/64"
900-20	Insert Bit # 0 Point Phillips®
900-21	Insert Bit # 1 Point Phillips®
900-22	Insert Bit # 2 Point Phillips®
900-23	Insert Bit # 3 Point Phillips®
900-3	Insert Bit Slotted 5/32"
900-30	Insert Bit Square Head, #0
900-31	Insert Bit Square Head, #1
900-32	Insert Bit Square Head, #2
900-33	Insert Bit Square Head, #3
900-4	Insert Bit Slotted 3/16"
900-40	Insert Bit Reed Prince #0 (Pozi)
900-41	Insert Bit Reed Prince #1 (Pozi)
900-42	Insert Bit Reed Prince #2 (Pozi)
900-43	Insert Bit Reed Prince #3 (Pozi)
900-5	Insert Bit Slotted 7/32"
900-51	Insert Bit Phillips® ARC, #1
900-52	Insert Bit Phillips® ARC, #2
900-53	Insert Bit Phillips® ARC, #3
900-6	Insert Bit Slotted 1/4"
900-60	Hex Bit, 5/64"
900-61	Hex Bit, 1/8"
900-62	Hex Bit, 5/32"
900-63	Hex Bit, 3/16"
900-64	Hex Bit, 1/4"
900-7	Insert Bit Slotted Bit, 9/32"
900-8	Insert Bit Slotted 5/16"
AW-1004-2	Adjustable Wrench - 4"
AW-1006-2	Adjustable Wrench - 6"
AW-1008-2	Adjustable Wrench - 8"
BCF-10M	3/8" Drive Crowfoot Wrench - Metric 10 mm
BCF-11M	3/8" Drive Crowfoot Wrench - Metric 11 mm
BCF-12	3/8" Drive Crowfoot Wrench - Inch 3/8"
BCF-12M	3/8" Drive Crowfoot Wrench - Metric 12 mm
BCF-13M	3/8" Drive Crowfoot Wrench - Metric 13 mm

Contents	Description
BCF-14	3/8" Drive Crowfoot Wrench - Inch 7/16"
BCF-14M	3/8" Drive Crowfoot Wrench - Metric 14 mm
BCF-15M	3/8" Drive Crowfoot Wrench - Metric 15 mm
BCF-16	3/8" Drive Crowfoot Wrench - Inch 1/2"
BCF-17M	3/8" Drive Crowfoot Wrench - Metric 17 mm
BCF-18	3/8" Drive Crowfoot Wrench - Inch 9/16"
BCF-19M	3/8" Drive Crowfoot Wrench - Metric 19 mm
BCF-20	3/8" Drive Crowfoot Wrench - Inch 5/8"
BCF-20M	3/8" Drive Crowfoot Wrench - Metric 20 mm
BCF-21M	3/8" Drive Crowfoot Wrench - Metric 21 mm
BCF-22	3/8" Drive Crowfoot Wrench - Inch 11/16"
BCF-22M	3/8" Drive Crowfoot Wrench - Metric 22 mm
BCF-24	3/8" Drive Crowfoot Wrench - Inch 3/4"
BCF-26	3/8" Drive Crowfoot Wrench - Inch 13/16"
BCF-28	3/8" Drive Crowfoot Wrench - Inch 7/8"
BCF-32	3/8" Drive Crowfoot Wrench - Inch 1"
BW-1106M	Satin Finish Combination Wrench 6mm - 12 Point
BW-1107M	Satin Finish Combination Wrench 7mm - 12 Point
BW-1108M	Satin Finish Combination Wrench 8mm - 12 Point
BW-1109M	Satin Finish Combination Wrench 9mm - 12 Point
BW-1110M	Satin Finish Combination Wrench 10mm - 12 Point
BW-1111M	Satin Finish Combination Wrench 11mm - 12 Point
BW-1112M	Satin Finish Combination Wrench 12mm - 12 Point
BW-1113M	Satin Finish Combination Wrench 13mm - 12 Point
BW-1114M	Satin Finish Combination Wrench 14mm - 12 Point
BW-1115M	Satin Finish Combination Wrench 15mm - 12 Point
BW-1116M	Satin Finish Combination Wrench 16mm - 12 Point
BW-1160	Satin Finish Combination Wrench 3/8" - 12 Point
BW-1161	Satin Finish Combination Wrench 7/16" - 12 Point
BW-1162	Satin Finish Combination Wrench 1/2" - 12 Point
BW-1163	Satin Finish Combination Wrench 9/16" - 12 Point
BW-1164	Satin Finish Combination Wrench 5/8" - 12 Point
BW-1165	Satin Finish Combination Wrench 11/16" - 12 Point
BW-1166	Satin Finish Combination Wrench 3/4" - 12 Point
BW-1167	Satin Finish Combination Wrench 7/8" - 12 Point
BW-1167A	Satin Finish Combination Wrench 13/16" - 12 Point
BW-1168	Satin Finish Combination Wrench 15/16" - 12 Point
BW-1170	Satin Finish Combination Wrench 1" - 12 Point
BW-1306	XL Combination Ratcheting Wrench - 5/16"
BW-1308	XL Combination Ratcheting Wrench - 11/32"
BW-1308M	XL Combination Ratcheting Wrench - 8mm
BW-1309M	XL Combination Ratcheting Wrench - 9mm
BW-1310	XL Combination Ratcheting Wrench - 3/8"
BW-1310M	XL Combination Ratcheting Wrench - 10mm
BW-1311M	XL Combination Ratcheting Wrench - 11mm
BW-1312	XL Combination Ratcheting Wrench - 7/16"
BW-1312M	XL Combination Ratcheting Wrench - 12mm
BW-1313M	XL Combination Ratcheting Wrench - 13mm
BW-1314	XL Combination Ratcheting Wrench - 1/2"
BW-1314M	XL Combination Ratcheting Wrench - 14mm
BW-1315M	XL Combination Ratcheting Wrench - 15mm
BW-1316	XL Combination Ratcheting Wrench - 9/16"

Phillips® is trademark of Phillips Screw Company
Torx® is a trademark of Acument Intellectual Properties, LLC.



560 PIECE MASTER TOOL SET, *continued*

Item #: 970560

Contents	Description
BW-1316M	XL Combination Ratcheting Wrench - 16mm
BW-1317M	XL Combination Ratcheting Wrench - 17mm
BW-1318	XL Combination Ratcheting Wrench - 5/8"
BW-1318M	XL Combination Ratcheting Wrench - 18mm
BW-1320	XL Combination Ratcheting Wrench - 11/16"
BW-1322	XL Combination Ratcheting Wrench - 3/4"
BW-1324	XL Combination Ratcheting Wrench - 13/16"
BW-1410	Reverse Ratcheting Combination Wrench 5/16"
BW-1412	Reverse Ratcheting Combination Wrench 3/8"
BW-1414	Reverse Ratcheting Combination Wrench 7/16"
BW-1416	Reverse Ratcheting Combination Wrench 1/2"
BW-1418	Reverse Ratcheting Combination Wrench 9/16"
BW-1420	Reverse Ratcheting Combination Wrench 5/8"
BW-1422	Reverse Ratcheting Combination Wrench 11/16"
BW-1424	Reverse Ratcheting Combination Wrench 3/4"
BW-1458	Reverse Ratcheting Combination Wrench 8mm
BW-1459	Reverse Ratcheting Combination Wrench 9mm
BW-1460	Reverse Ratcheting Combination Wrench 10mm
BW-1461	Reverse Ratcheting Combination Wrench 11mm
BW-1462	Reverse Ratcheting Combination Wrench 12mm
BW-1463	Reverse Ratcheting Combination Wrench 13mm
BW-1464	Reverse Ratcheting Combination Wrench 14mm
BW-1465	Reverse Ratcheting Combination Wrench 15mm
BW-1466	Reverse Ratcheting Combination Wrench 16mm
BW-1467	Reverse Ratcheting Combination Wrench 17mm
BW-1468	Reverse Ratcheting Combination Wrench 18mm
BW-1469	Reverse Ratcheting Combination Wrench 19mm
CT-1003	Cold Chisel 5 1/4" Length, 3/8" Edge
CT-1004	Cold Chisel 5 1/2" Length, 7/16" Edge
CT-1006	Cold Chisel 6-1/2" Length, 5/8" Edge
CT-1008	Cold Chisel 7" Length, 3/4" Edge
CT-1010	Cold Chisel 7-1/2" Length, 7/8" Edge
CT-1156	Flat Cape Chisel
CT-1254	Diamond Point Chisel 5" Length, 3/16" Edge
CT-1304	Center Punch 5-1/2" Length, 3/16" Point
CT-1314	Scribing Punch 5" Length, 5/32"
CT-1453	Pin Punch 5" Length, 1/8" Point
CT-1454	Pin Punch 5 1/4" Length, 5/32" Point
CT-1456	Pin Punch 5 1/2" Length, 3/16" Point
CT-1464	Pin Punch 7" Length, 1/4" Point
CT-1466	Pin Punch 7" Length, 5/16" Point
DT-55	Screw Extractor Set
FN-1012MP	Flare Nut Wrench - Metric 10 mm x 12 mm
FN-1314MP	Flare Nut Wrench - Metric 13 mm x 14 mm
FN-1402P	Flare Nut Wrench - Inch 3/8" x 7/16"
FN-1404P	Flare Nut Wrench - Inch 1/2" x 9/16"
FN-1406P	Flare Nut Wrench - Inch 5/8" x 11/16"
FN-1410P	Flare Nut Wrench - Inch 3/4" x 1"
FN-1517MP	Flare Nut Wrench - Metric 15 mm x 17 mm
FN-1921MP	Flare Nut Wrench - Metric 19 mm x 21 mm
FT-1124	10 Piece Hacksaw Blades
FT-1202	Adjustable Hacksaw Frame

Contents	Description
GW-1506	6 Point Deep Inch Socket 1/4" Drive 3/16"
GW-1507	6 Point Deep Inch Socket 1/4" Drive 7/32"
GW-1508	6 Point Deep Inch Socket 1/4" Drive 1/4"
GW-1509	6 Point Deep Inch Socket 1/4" Drive 9/32"
GW-1510	6 Point Deep Inch Socket 1/4" Drive 5/16"
GW-1511	6 Point Deep Inch Socket 1/4" Drive 11/32"
GW-1512	6 Point Deep Inch Socket 1/4" Drive 3/8"
GW-1514	6 Point Deep Inch Socket 1/4" Drive 7/16"
GW-1516	6 Point Deep Inch Socket 1/4" Drive 1/2"
GW-1605	6 Point Standard Inch Socket 1/4" Drive 5/32"
GW-1606	6 Point Standard Inch Socket 1/4" Drive 3/16"
GW-1607	6 Point Standard Inch Socket 1/4" Drive 7/32"
GW-1608	6 Point Standard Inch Socket 1/4" Drive 1/4"
GW-1609	6 Point Standard Inch Socket 1/4" Drive 9/32"
GW-1610	6 Point Standard Inch Socket 1/4" Drive 5/16"
GW-1611	6 Point Standard Inch Socket 1/4" Drive 11/32"
GW-1612	6 Point Standard Inch Socket 1/4" Drive 3/8"
GW-1614	6 Point Standard Inch Socket 1/4" Drive 7/16"
GW-1616	6 Point Standard Inch Socket 1/4" Drive 1/2"
GW-1705	12 Point Standard Inch Socket 1/4" Drive 5/32"
GW-1706	12 Point Standard Inch Socket 1/4" Drive 3/16"
GW-1707	12 Point Standard Inch Socket 1/4" Drive 7/32"
GW-1708	12 Point Standard Inch Socket 1/4" Drive 1/4"
GW-1709	12 Point Standard Inch Socket 1/4" Drive 9/32"
GW-1710	12 Point Standard Inch Socket 1/4" Drive 5/16"
GW-1711	12 Point Standard Inch Socket 1/4" Drive 11/32"
GW-1712	12 Point Standard Inch Socket 1/4" Drive 3/8"
GW-1714	12 Point Standard Inch Socket 1/4" Drive 7/16"
GW-1716	12 Point Standard Inch Socket 1/4" Drive 1/2"
GW-604M	6 Point Standard Metric Socket 1/4" Drive 4 mm
GW-605M	6 Point Standard Metric Socket 1/4" Drive 5 mm
GW-606M	6 Point Standard Metric Socket 1/4" Drive 6 mm
GW-607M	6 Point Standard Metric Socket 1/4" Drive 7 mm
GW-608M	6 Point Standard Metric Socket 1/4" Drive 8 mm
GW-609M	6 Point Standard Metric Socket 1/4" Drive 9 mm
GW-610M	6 Point Standard Metric Socket 1/4" Drive 10 mm
GW-611M	6 Point Standard Metric Socket 1/4" Drive 11 mm
GW-612M	6 Point Standard Metric Socket 1/4" Drive 12 mm
GW-655M	6 Point Standard Metric Socket 1/4" Drive 5.5 mm
GW-705M	12 Point Standard Metric Socket 1/4" Drive 5 mm
GW-706M	12 Point Standard Metric Socket 1/4" Drive 6 mm
GW-707M	12 Point Standard Metric Socket 1/4" Drive 7 mm
GW-708M	12 Point Standard Metric Socket 1/4" Drive 8 mm
GW-709M	12 Point Standard Metric Socket 1/4" Drive 9 mm
GW-710M	12 Point Standard Metric Socket 1/4" Drive 10 mm
GW-711M	12 Point Standard Metric Socket 1/4" Drive 11 mm
GW-712M	12 Point Standard Metric Socket 1/4" Drive 12 mm
GW-9898L	1/4" Drive Locking Extension 4"
GW-9899L	1/4" Drive Locking Extension 6"
GW-9945B	1/4" Drive Round Head Knurled Reversible Ratchet
HT-1005-1	Ball Pein Hammer 16 oz
HW-1512	6 Point Deep Inch Socket 3/8" Drive 3/8"





560 PIECE MASTER TOOL SET, *continued*

Item #: 970560

Contents	Description
HW-1514	6 Point Deep Inch Socket 3/8" Drive 7/16"
HW-1516	6 Point Deep Inch Socket 3/8" Drive 1/2"
HW-1518	6 Point Deep Inch Socket 3/8" Drive 9/16"
HW-1520	6 Point Deep Inch Socket 3/8" Drive 5/8"
HW-1520S	3/8" Drive Spark Plug Socket 5/8"
HW-1522	6 Point Deep Inch Socket 3/8" Drive 11/16"
HW-1524	6 Point Deep Inch Socket 3/8" Drive 3/4"
HW-1526	6 Point Deep Inch Socket 3/8" Drive 13/16"
HW-1528	6 Point Deep Inch Socket 3/8" Drive 7/8"
HW-9404M-2	3/8" Drive Hex Bit Socket - 4 mm
HW-9405M-2	3/8" Drive Hex Bit Socket - 5 mm
HW-9406M-2	3/8" Drive Hex Bit Socket - 6 mm
HW-9407M-2	3/8" Drive Hex Bit Socket - 7 mm
HW-9408M-2	3/8" Drive Hex Bit Socket - 8 mm
HW-9410M-2	3/8" Drive Hex Bit Socket - 10 mm
HW-9442-2	3/8" Drive Hex Bit Socket - 1/8"
HW-9443-2	3/8" Drive Hex Bit Socket - 9/64"
HW-9444-2	3/8" Drive Hex Bit Socket - 5/32"
HW-9445-2	3/8" Drive Hex Bit Socket - 3/8"
HW-9446-2	3/8" Drive Hex Bit Socket - 5/16"
HW-9447-2	3/8" Drive Hex Bit Socket - 1/4"
HW-9448-2	3/8" Drive Hex Bit Socket - 7/32"
HW-9449-2	3/8" Drive Hex Bit Socket - 3/16"
HW-9450-2	3/8" Drive Phillips® Bit Socket - #1
HW-9451-2	3/8" Drive Phillips® Bit Socket - #2
HW-9452-2	3/8" Drive Phillips® Bit Socket - #3
HW-9505-2	3/8" Drive Slotted Bit Socket - 1/4"
HW-9506-2	3/8" Drive Slotted Bit Socket - 5/16"
MT-1049	25 Blade All-Purpose Feeler Gauge
PT-1003-2	8" Slip Joint Pliers
PT-1052-2	6" Diagonal Cutting Pliers
PT-1108-2	9" Linemans Pliers
PT-1250-2	10" Rib Lock Pliers
ST-303S	1/8" Slotted Screwdriver - 3" Blade
ST-353C	9/64" Cabinet Screwdriver - 3" Blade
ST-404S	5/32" Slotted Screwdriver - 4" Blade
ST-555C	3/16" Cabinet Screwdriver - 5" Blade
ST-655S	1/4" Slotted Screwdriver - 5" Blade
ST-65SH	1/4" Slotted Stubby Screwdriver - 1-1/4" Blade
ST-803	Nut Driver Inch 1/4"
ST-806	Nut Driver Inch 5/16"
ST-807S	5/16" Slotted Screwdriver - 7" Blade
ST-809	Nut Driver Inch 11/32"
ST-812	Nut Driver Inch 3/8"
ST-815	Nut Driver Inch 7/16"
ST-818	Nut Driver Inch 1/2"
ST-905M	Nut Driver Metric 5 mm
ST-907M	Nut Driver Metric 7 mm
ST-908M	Nut Driver Metric 8 mm
ST-909M	Nut Driver Metric 9 mm

Contents	Description
ST-910M	Nut Driver Metric 10 mm
ST-955M	Nut Driver Metric 5.5 mm
ST-PH00-2	#00 Phillips® Screwdriver - 2" Blade
ST-PH0-3	#0 Phillips® Screwdriver - 3" Blade
ST-PH1-4	#1 Phillips® Screwdriver - 4" Blade
ST-PH1-SH	#1 Phillips® Stubby Screwdriver - 1-1/4" Blade
ST-PH2-5	#2 Phillips® Screwdriver - 5" Blade
ST-SS1	1/4" Drive Socket Spinner
U-1508-2	3/8" Drive 1/4" Impact Socket - 6 Point
U-1510-2	3/8" Drive 5/16" Impact Socket - 6 Point
U-1512-2	3/8" Drive 3/8" Impact Socket - 6 Point
U-1514-2	3/8" Drive 7/16" Impact Socket - 6 Point
U-1516-2	3/8" Drive 1/2" Impact Socket - 6 Point
U-1518-2	3/8" Drive 9/16" Impact Socket - 6 Point
U-1520-2	3/8" Drive 5/8" Impact Socket - 6 Point
U-1522-2	3/8" Drive 11/16" Impact Socket - 6 Point
U-1524-2	3/8" Drive 3/4" Impact Socket - 6 Point
U-1526-2	3/8" Drive 13/16" Impact Socket - 6 Point
U-1528-2	3/8" Drive 7/8" Impact Socket - 6 Point
U-1530-2	3/8" Drive 15/16" Impact Socket - 6 Point
U-1532-2	3/8" Drive 1" Impact Socket - 6 Point
U-1610-2	3/8" Drive 5/16" Deep Impact Socket - 6 Point
U-1612-2	3/8" Drive 3/8" Deep Impact Socket - 6 Point
U-1614-2	3/8" Drive 7/16" Deep Impact Socket - 6 Point
U-1616-2	3/8" Drive 1/2" Deep Impact Socket - 6 Point
U-1618-2	3/8" Drive 9/16" Deep Impact Socket - 6 Point
U-1620-2	3/8" Drive 5/8" Deep Impact Socket - 6 Point
U-1622-2	3/8" Drive 11/16" Deep Impact Socket - 6 Point
U-1624-2	3/8" Drive 3/4" Deep Impact Socket - 6 Point
U-1626-2	3/8" Drive 13/16" Deep Impact Socket - 6 Point
U-1628-2	3/8" Drive 7/8" Deep Impact Socket - 6 Point
U-1630-2	3/8" Drive 15/16" Deep Impact Socket - 6 Point
U-1632-2	3/8" Drive 1" Deep Impact Socket - 6 Point
UW-612M-2	1/2" Drive 12mm Impact Socket - 6 Point
UW-613M-2	1/2" Drive 13mm Impact Socket - 6 Point
UW-614M-2	1/2" Drive 14mm Impact Socket - 6 Point
UW-615M-2	1/2" Drive 15mm Impact Socket - 6 Point
UW-616M-2	1/2" Drive 16mm Impact Socket - 6 Point
UW-617M-2	1/2" Drive 17mm Impact Socket - 6 Point
UW-618M-2	1/2" Drive 18mm Impact Socket - 6 Point
UW-619M-2	1/2" Drive 19mm Impact Socket - 6 Point
UW-620M-2	1/2" Drive 20mm Impact Socket - 6 Point
UW-621M-2	1/2" Drive 21mm Impact Socket - 6 Point
UW-622M-2	1/2" Drive 22mm Impact Socket - 6 Point
UW-624M-2	1/2" Drive 24mm Impact Socket - 6 Point
UW-627M-2	1/2" Drive 27mm Impact Socket - 6 Point
ZW-53	13 Piece Standard Hex Wrench Set
ZW-59	13 Piece Standard Long Hex Key Wrench Set
ZW-69	9 Piece Metric Hex Key Wrench Set

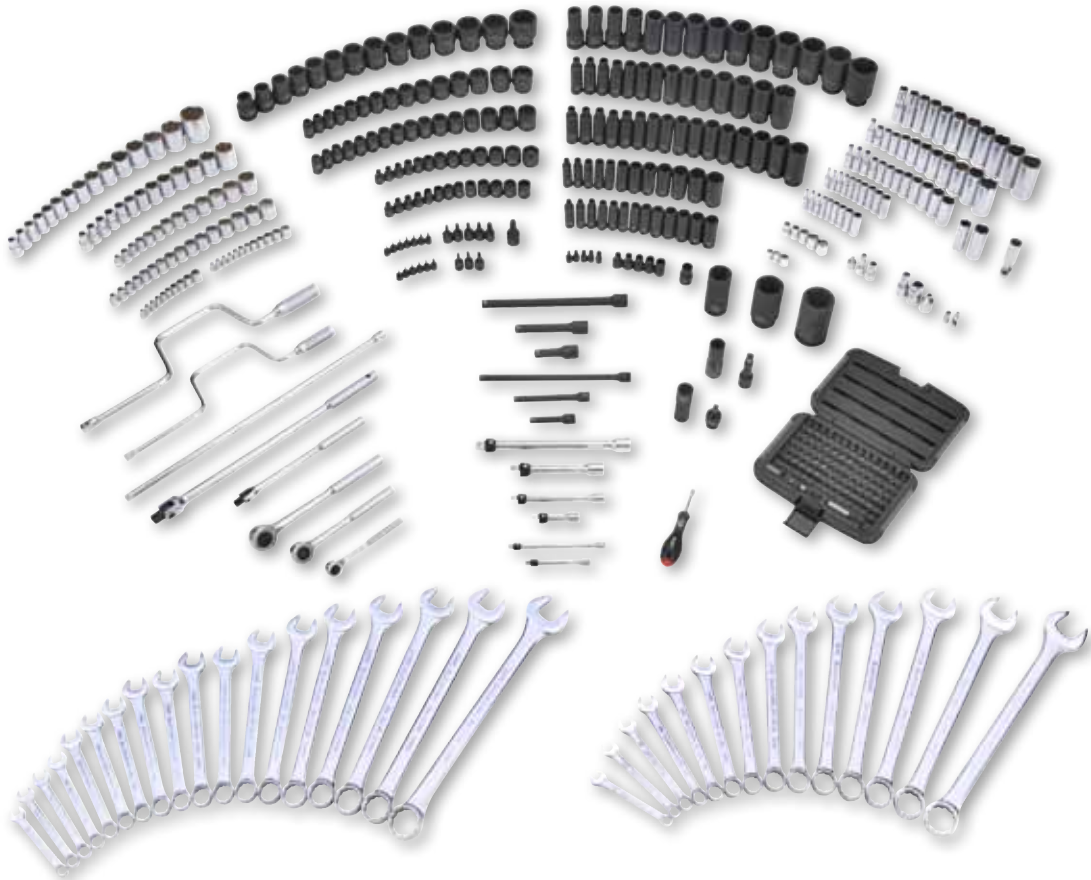


485 PIECE MASTER TOOL SET

Item #: 970485

352 - Sockets & Accessories
 101 - Miscellaneous Tools
 32 - Wrenches

- 1/4", 3/8", 1/2", & 3/4" Drives with Ratchets
- Chrome and Impact Sockets
- Standard and Metric Sizing
- Wrenches: Combination – Fixed
- Weight (lbs): 141.58



Contents	Description
30010	6 Point Standard Inch Socket 3/8" Drive 5/16"
30320SA	3/8" Drive Flex Spark Plug Socket
30608	6 Point Standard Inch Socket 3/8" Drive 1/4"
30612	6 Point Standard Inch Socket 3/8" Drive 3/8"
30614	6 Point Standard Inch Socket 3/8" Drive 7/16"
30616	6 Point Standard Inch Socket 3/8" Drive 1/2"
30618	6 Point Standard Inch Socket 3/8" Drive 9/16"
30620	6 Point Standard Inch Socket 3/8" Drive 5/8"
30622	6 Point Standard Inch Socket 3/8" Drive 11/16"
30624	6 Point Standard Inch Socket 3/8" Drive 3/4"
30626	6 Point Standard Inch Socket 3/8" Drive 13/16"
30628	6 Point Standard Inch Socket 3/8" Drive 7/8"
30630	6 Point Standard Inch Socket 3/8" Drive 15/16"
30632	6 Point Standard Inch Socket 3/8" Drive 1"
31108	8 Point Standard Inch Socket 3/8" Drive 1/4"
31110	8 Point Standard Inch Socket 3/8" Drive 5/16"

Contents	Description
31112	8 Point Standard Inch Socket 3/8" Drive 3/8"
31114	8 Point Standard Inch Socket 3/8" Drive 7/16"
31116	8 Point Standard Inch Socket 3/8" Drive 1/2"
32007M	6 Point Standard Metric Socket 3/8" Drive 7 mm
32008M	6 Point Standard Metric Socket 3/8" Drive 8 mm
32009M	6 Point Standard Metric Socket 3/8" Drive 9 mm
32010M	6 Point Standard Metric Socket 3/8" Drive 10 mm
32011M	6 Point Standard Metric Socket 3/8" Drive 11 mm
32012M	6 Point Standard Metric Socket 3/8" Drive 12 mm
32013M	6 Point Standard Metric Socket 3/8" Drive 13 mm
32014M	6 Point Standard Metric Socket 3/8" Drive 14 mm
32015M	6 Point Standard Metric Socket 3/8" Drive 15 mm
32016M	6 Point Standard Metric Socket 3/8" Drive 16 mm
32017M	6 Point Standard Metric Socket 3/8" Drive 17 mm
32018M	6 Point Standard Metric Socket 3/8" Drive 18 mm
32019M	6 Point Standard Metric Socket 3/8" Drive 19 mm

Blackhawk
 BY PROTO

Blackhawk™ by Proto® not available in all countries.

MASTER SETS



485 PIECE MASTER TOOL SET, *continued*

Item #: 970485

Contents	Description
32020M	6 Point Standard Metric Socket 3/8" Drive 20 mm
32021M	6 Point Standard Metric Socket 3/8" Drive 21 mm
32022M	6 Point Standard Metric Socket 3/8" Drive 22 mm
34945B	3/8" Drive Round Head Knurled Reversible Ratchet
34960	1/4" Drive 1/4" x 3/8" Adapter
34963	3/8" Drive 3/8" x 1/4" Adapter
34965	1/2" Drive 1/2" x 3/8" Adapter
34966	3/8" Drive 3/8" x 1/2" Adapter
34982	3/8" Drive Speeder Handle
34983	3/8" Drive Extension 19"
34986B	3/8" Drive Flex Handle
34987L	3/8" Drive Locking Extension 6"
34988L	3/8" Drive Locking Extension 3"
34989	3/8" Drive Extension 1-3/4"
40320S	6 Point 1/2" Drive Spark Plug Socket 5/8"
40326S	6 Point 1/2" Drive Spark Plug Socket 13/16"
40416	6 Point Deep Inch Socket 1/2" Drive 1/2"
40418	6 Point Deep Inch Socket 1/2" Drive 9/16"
40420	6 Point Deep Inch Socket 1/2" Drive 5/8"
40422	6 Point Deep Inch Socket 1/2" Drive 11/16"
40424	6 Point Deep Inch Socket 1/2" Drive 3/4"
40426	6 Point Deep Inch Socket 1/2" Drive 13/16"
40428	6 Point Deep Inch Socket 1/2" Drive 7/8"
40430	6 Point Deep Inch Socket 1/2" Drive 15/16"
40432	6 Point Deep Inch Socket 1/2" Drive 1"
40434	6 Point Deep Inch Socket 1/2" Drive 1-1/16"
40436	6 Point Deep Inch Socket 1/2" Drive 1-1/8"
40612	6 Point Standard Inch Socket 1/2" Drive 3/8"
40614	6 Point Standard Inch Socket 1/2" Drive 7/16"
40616	6 Point Standard Inch Socket 1/2" Drive 1/2"
40618	6 Point Standard Inch Socket 1/2" Drive 9/16"
40620	6 Point Standard Inch Socket 1/2" Drive 5/8"
40622	6 Point Standard Inch Socket 1/2" Drive 11/16"
40624	6 Point Standard Inch Socket 1/2" Drive 3/4"
40626	6 Point Standard Inch Socket 1/2" Drive 13/16"
40628	6 Point Standard Inch Socket 1/2" Drive 7/8"
40630	6 Point Standard Inch Socket 1/2" Drive 15/16"
40632	6 Point Standard Inch Socket 1/2" Drive 1"
40634	6 Point Standard Inch Socket 1/2" Drive 1-1/16"
40636	6 Point Standard Inch Socket 1/2" Drive 1-1/8"
40640	6 Point Standard Inch Socket 1/2" Drive 1-1/4"
40642A	6 Point Standard Inch Socket 1/2" Drive 1-1/2"
42010M	6 Point Standard Metric Socket 1/2" Drive 10 mm
42011M	6 Point Standard Metric Socket 1/2" Drive 11 mm
42012M	6 Point Standard Metric Socket 1/2" Drive 12 mm
42013M	6 Point Standard Metric Socket 1/2" Drive 13 mm
42014M	6 Point Standard Metric Socket 1/2" Drive 14 mm
43015M	12 Point Standard Metric Socket 1/2" Drive 15 mm
43017M	6 Point Standard Metric Socket 1/2" Drive 17 mm
43019M	6 Point Standard Metric Socket 1/2" Drive 19 mm
43021M	6 Point Standard Metric Socket 1/2" Drive 21 mm
43022M	6 Point Standard Metric Socket 1/2" Drive 22 mm

Contents	Description
43023M	6 Point Standard Metric Socket 1/2" Drive 23 mm
43024M	6 Point Standard Metric Socket 1/2" Drive 24 mm
43027M	6 Point Standard Metric Socket 1/2" Drive 27 mm
49945B	1/2" Drive Round Head Knurled Reversible Ratchet
49964	1/2" Drive Extension 2"
49966L	1/2" Drive Locking Extension 6"
49988B	1/2" Drive Flex Handle
49990L	1/2" Drive Locking Extension 10"
49992	1/2" Drive Speeder Handle
69992	1/2" Drive 1/2" x 3/4" Adapter
BI-101S	101 Piece Insert Bit Set
BW-1110M	Satin Finish Combination Wrench 10mm - 12 Point
BW-1111M	Satin Finish Combination Wrench 11mm - 12 Point
BW-1112M	Satin Finish Combination Wrench 12mm - 12 Point
BW-1113M	Satin Finish Combination Wrench 13mm - 12 Point
BW-1114M	Satin Finish Combination Wrench 14mm - 12 Point
BW-1115M	Satin Finish Combination Wrench 15mm - 12 Point
BW-1116M	Satin Finish Combination Wrench 16mm - 12 Point
BW-1117M	Satin Finish Combination Wrench 17mm - 12 Point
BW-1118M	Satin Finish Combination Wrench 18mm - 12 Point
BW-1119M	Satin Finish Combination Wrench 19mm - 12 Point
BW-1120M	Satin Finish Combination Wrench 20mm - 12 Point
BW-1121M	Satin Finish Combination Wrench 21mm - 12 Point
BW-1122M	Satin Finish Combination Wrench 22mm - 12 Point
BW-1124M	Satin Finish Combination Wrench 24mm - 12 Point
BW-1125M	Satin Finish Combination Wrench 25mm - 12 Point
BW-1127M	Satin Finish Combination Wrench 27mm - 12 Point
BW-1128M	Satin Finish Combination Wrench 28mm - 12 Point
BW-1132M	Satin Finish Combination Wrench 32mm - 12 Point
BW-1160	Satin Finish Combination Wrench 3/8" - 12 Point
BW-1161	Satin Finish Combination Wrench 7/16" - 12 Point
BW-1162	Satin Finish Combination Wrench 1/2" - 12 Point
BW-1163	Satin Finish Combination Wrench 9/16" - 12 Point
BW-1164	Satin Finish Combination Wrench 5/8" - 12 Point
BW-1165	Satin Finish Combination Wrench 11/16" - 12 Point
BW-1166	Satin Finish Combination Wrench 3/4" - 12 Point
BW-1167	Satin Finish Combination Wrench 7/8" - 12 Point
BW-1167A	Satin Finish Combination Wrench 13/16" - 12 Point
BW-1168	Satin Finish Combination Wrench 15/16" - 12 Point
BW-1170	Satin Finish Combination Wrench 1" - 12 Point
BW-1171	Satin Finish Combination Wrench 1-1/16" - 12 Point
BW-1172	Satin Finish Combination Wrench 1-1/8" - 12 Point
BW-1173	Satin Finish Combination Wrench 1-1/4" - 12 Point
GW-1208	8 Point Deep Inch Socket 1/4" Drive 1/4"
GW-1210	8 Point Deep Inch Socket 1/4" Drive 5/16"
GW-1212	8 Point Deep Inch Socket 1/4" Drive 3/8"
GW-1506	6 Point Deep Inch Socket 1/4" Drive 3/16"
GW-1507	6 Point Deep Inch Socket 1/4" Drive 7/32"
GW-1508	6 Point Deep Inch Socket 1/4" Drive 1/4"
GW-1509	6 Point Deep Inch Socket 1/4" Drive 9/32"
GW-1510	6 Point Deep Inch Socket 1/4" Drive 5/16"
GW-1511	6 Point Deep Inch Socket 1/4" Drive 11/32"



485 PIECE MASTER TOOL SET, *continued*

Item #: 970485

Contents	Description
GW-1512	6 Point Deep Inch Socket 1/4" Drive 3/8"
GW-1514	6 Point Deep Inch Socket 1/4" Drive 7/16"
GW-1516	6 Point Deep Inch Socket 1/4" Drive 1/2"
GW-1605	6 Point Standard Inch Socket 1/4" Drive 5/32"
GW-1606	6 Point Standard Inch Socket 1/4" Drive 3/16"
GW-1607	6 Point Standard Inch Socket 1/4" Drive 7/32"
GW-1608	6 Point Standard Inch Socket 1/4" Drive 1/4"
GW-1609	6 Point Standard Inch Socket 1/4" Drive 9/32"
GW-1610	6 Point Standard Inch Socket 1/4" Drive 5/16"
GW-1611	6 Point Standard Inch Socket 1/4" Drive 11/32"
GW-1612	6 Point Standard Inch Socket 1/4" Drive 3/8"
GW-1614	6 Point Standard Inch Socket 1/4" Drive 7/16"
GW-1616	6 Point Standard Inch Socket 1/4" Drive 1/2"
GW-504M	6 Point Deep Metric Socket 1/4" Drive 4 mm
GW-505M	6 Point Deep Metric Socket 1/4" Drive 5 mm
GW-506M	6 Point Deep Metric Socket 1/4" Drive 6 mm
GW-507M	6 Point Deep Metric Socket 1/4" Drive 7 mm
GW-508M	6 Point Deep Metric Socket 1/4" Drive 8 mm
GW-509M	6 Point Deep Metric Socket 1/4" Drive 9 mm
GW-510M	6 Point Deep Metric Socket 1/4" Drive 10 mm
GW-511M	6 Point Deep Metric Socket 1/4" Drive 11 mm
GW-512M	6 Point Deep Metric Socket 1/4" Drive 12 mm
GW-513M	6 Point Deep Metric Socket 1/4" Drive 13 mm
GW-604M	6 Point Standard Metric Socket 1/4" Drive 4 mm
GW-605M	6 Point Standard Metric Socket 1/4" Drive 5 mm
GW-606M	6 Point Standard Metric Socket 1/4" Drive 6 mm
GW-607M	6 Point Standard Metric Socket 1/4" Drive 7 mm
GW-608M	6 Point Standard Metric Socket 1/4" Drive 8 mm
GW-609M	6 Point Standard Metric Socket 1/4" Drive 9 mm
GW-610M	6 Point Standard Metric Socket 1/4" Drive 10 mm
GW-611M	6 Point Standard Metric Socket 1/4" Drive 11 mm
GW-612M	6 Point Standard Metric Socket 1/4" Drive 12 mm
GW-613M	6 Point Standard Metric Socket 1/4" Drive 13 mm
GW-645M	6 Point Standard Metric Socket 1/4" Drive 4.5 mm
GW-655M	6 Point Standard Metric Socket 1/4" Drive 5.5 mm
GW-9578A	1/4" Drive Universal Joint
GW-9898L	1/4" Drive Locking Extension 4"
GW-9899L	1/4" Drive Locking Extension 6"
GW-9945B	1/4" Drive Round Head Knurled Reversible Ratchet
HW-1507M	6 Point Deep Metric Socket 3/8" Drive 7 mm
HW-1508M	6 Point Deep Metric Socket 3/8" Drive 8 mm
HW-1509M	6 Point Deep Metric Socket 3/8" Drive 9 mm
HW-1510	6 Point Deep Inch Socket 3/8" Drive 5/16"
HW-1510M	6 Point Deep Metric Socket 3/8" Drive 10 mm
HW-1511M	6 Point Deep Metric Socket 3/8" Drive 11 mm
HW-1512	6 Point Deep Inch Socket 3/8" Drive 3/8"
HW-1512M	6 Point Deep Metric Socket 3/8" Drive 12 mm
HW-1513M	6 Point Deep Metric Socket 3/8" Drive 13 mm
HW-1514	6 Point Deep Inch Socket 3/8" Drive 7/16"
HW-1514M	6 Point Deep Metric Socket 3/8" Drive 14 mm
HW-1515M	6 Point Deep Metric Socket 3/8" Drive 15 mm
HW-1516	6 Point Deep Inch Socket 3/8" Drive 1/2"

Contents	Description
HW-1517M	6 Point Deep Metric Socket 3/8" Drive 17 mm
HW-1518	6 Point Deep Inch Socket 3/8" Drive 9/16"
HW-1518M	6 Point Deep Metric Socket 3/8" Drive 18 mm
HW-1519M	6 Point Deep Metric Socket 3/8" Drive 19 mm
HW-1520	6 Point Deep Inch Socket 3/8" Drive 5/8"
HW-1522	6 Point Deep Inch Socket 3/8" Drive 11/16"
HW-1524	6 Point Deep Inch Socket 3/8" Drive 3/4"
HW-1526	6 Point Deep Inch Socket 3/8" Drive 13/16"
HW-1528	6 Point Deep Inch Socket 3/8" Drive 7/8"
HW-1530	6 Point Deep Inch Socket 3/8" Drive 15/16"
HW-1532	6 Point Deep Inch Socket 3/8" Drive 1"
ST-SS1	1/4" Drive Socket Spinner
TR-3210-2	1/4" Drive T10 Tamper Torx® Impact Socket
TR-3215-2	1/4" Drive T15 Tamper Torx® Impact Socket
TR-3220-2	1/4" Drive T20 Tamper Torx® Impact Socket
TR-3225-2	1/4" Drive T25 Tamper Torx® Impact Socket
TR-3227-2	1/4" Drive T27 Tamper Torx® Impact Socket
TR-3230-2	1/4" Drive T30 Tamper Torx® Impact Socket
TR-3340-2	3/8" Drive T10 Tamper Torx® Impact Socket
TR-3345-2	3/8" Drive T15 Tamper Torx® Impact Socket
TR-3350-2	3/8" Drive T20 Tamper Torx® Impact Socket
TS-1209-2	1/4" Drive T9 Torx® Impact Socket
TS-1210-2	1/4" Drive T10 Torx® Impact Socket
TS-1215-2	1/4" Drive T15 Torx® Impact Socket
TS-1220-2	1/4" Drive T20 Torx® Impact Socket
TS-1225-2	1/4" Drive T25 Torx® Impact Socket
TS-1227-2	1/4" Drive T27 Torx® Impact Socket
TS-1230-2	1/4" Drive T30 Torx® Impact Socket
TS-1340-2	3/8" Drive T40 Torx® Impact Socket
TS-1345-2	3/8" Drive T45 Torx® Impact Socket
TS-1347-2	3/8" Drive T47 Torx® Impact Socket
TS-1350-2	3/8" Drive T50 Torx® Impact Socket
TS-1355-2	3/8" Drive T55 Torx® Impact Socket
TS-1460-2	1/2" Drive T60 Torx® Impact Socket
TS-2204-2	1/4" Drive E4 External Torx® Socket
TS-2205-2	1/4" Drive E5 External Torx® Socket
TS-2206-2	1/4" Drive E6 External Torx® Socket
TS-2207-2	1/4" Drive E7 External Torx® Socket
TS-2208-2	1/4" Drive E8 External Torx® Socket
TS-2308-2	3/8" Drive E8 External Torx® Socket
TS-2310-2	3/8" Drive E10 External Torx® Socket
TS-2312-2	3/8" Drive E12 External Torx® Socket
TS-2314-2	3/8" Drive E14 External Torx® Socket
TS-2316-2	3/8" Drive E16 External Torx® Socket
TS-2418-2	3/8" Drive E18 External Torx® Socket
U-1507M-2	3/8" Drive 7mm Impact Socket - 6 Point
U-1508-2	3/8" Drive 1/4" Impact Socket - 6 Point
U-1508M-2	3/8" Drive 8mm Impact Socket - 6 Point
U-1509M-2	3/8" Drive 9mm Impact Socket - 6 Point
U-1510-2	3/8" Drive 5/16" Impact Socket - 6 Point
U-1510M-2	3/8" Drive 10mm Impact Socket - 6 Point
U-1511M-2	3/8" Drive 11mm Impact Socket - 6 Point

Blackhawk
BY PROTO

Torx® is a trademark of Acument Intellectual Properties, LLC.

Blackhawk™ by Proto® not available in all countries.





485 PIECE MASTER TOOL SET, *continued*

Item #: 970485

Contents	Description
U-1512-2	3/8" Drive 3/8" Impact Socket - 6 Point
U-1512M-2	3/8" Drive 12mm Impact Socket - 6 Point
U-1513M-2	3/8" Drive 13mm Impact Socket - 6 Point
U-1514-2	3/8" Drive 7/16" Impact Socket - 6 Point
U-1514M-2	3/8" Drive 14mm Impact Socket - 6 Point
U-1515M-2	3/8" Drive 15mm Impact Socket - 6 Point
U-1516-2	3/8" Drive 1/2" Impact Socket - 6 Point
U-1516M-2	3/8" Drive 16mm Impact Socket - 6 Point
U-1517M-2	3/8" Drive 17mm Impact Socket - 6 Point
U-1518-2	3/8" Drive 9/16" Impact Socket - 6 Point
U-1518M-2	3/8" Drive 18mm Impact Socket - 6 Point
U-1519M-2	3/8" Drive 19mm Impact Socket - 6 Point
U-1520-2	3/8" Drive 5/8" Impact Socket - 6 Point
U-1522-2	3/8" Drive 11/16" Impact Socket - 6 Point
U-1524-2	3/8" Drive 3/4" Impact Socket - 6 Point
U-1526-2	3/8" Drive 13/16" Impact Socket - 6 Point
U-1528-2	3/8" Drive 7/8" Impact Socket - 6 Point
U-1530-2	3/8" Drive 15/16" Impact Socket - 6 Point
U-1532-2	3/8" Drive 1" Impact Socket - 6 Point
U-1607M-2	3/8" Drive 7mm Deep Impact Socket - 6 Point
U-1608M-2	3/8" Drive 8mm Deep Impact Socket - 6 Point
U-1609M-2	3/8" Drive 9mm Deep Impact Socket - 6 Point
U-1610-2	3/8" Drive 5/16" Deep Impact Socket - 6 Point
U-1610M-2	3/8" Drive 10mm Deep Impact Socket - 6 Point
U-1611M-2	3/8" Drive 11mm Deep Impact Socket - 6 Point
U-1612-2	3/8" Drive 3/8" Deep Impact Socket - 6 Point
U-1612M-2	3/8" Drive 12mm Deep Impact Socket - 6 Point
U-1613M-2	3/8" Drive 13mm Deep Impact Socket - 6 Point
U-1614-2	3/8" Drive 7/16" Deep Impact Socket - 6 Point
U-1614M-2	3/8" Drive 14mm Deep Impact Socket - 6 Point
U-1615M-2	3/8" Drive 15mm Deep Impact Socket - 6 Point
U-1616-2	3/8" Drive 1/2" Deep Impact Socket - 6 Point
U-1616M-2	3/8" Drive 16mm Deep Impact Socket - 6 Point
U-1617M-2	3/8" Drive 17mm Deep Impact Socket - 6 Point
U-1618-2	3/8" Drive 9/16" Deep Impact Socket - 6 Point
U-1618M-2	3/8" Drive 18mm Deep Impact Socket - 6 Point
U-1619M-2	3/8" Drive 19mm Deep Impact Socket - 6 Point
U-1620-2	3/8" Drive 5/8" Deep Impact Socket - 6 Point
U-1622-2	3/8" Drive 11/16" Deep Impact Socket - 6 Point
U-1624-2	3/8" Drive 3/4" Deep Impact Socket - 6 Point
U-1626-2	3/8" Drive 13/16" Deep Impact Socket - 6 Point
U-1628-2	3/8" Drive 7/8" Deep Impact Socket - 6 Point
U-1630-2	3/8" Drive 15/16" Deep Impact Socket - 6 Point
U-1632-2	3/8" Drive 1" Deep Impact Socket - 6 Point
UW-1500-2	1/2" Drive Double End Impact Socket
UW-1505-2	1/2" Drive Wheel Lug Impact Kit
UW-1512-2	1/2" Drive 3/8" Deep Impact Socket - 6 Point
UW-1514-2	1/2" Drive 7/16" Deep Impact Socket - 6 Point
UW-1516-2	1/2" Drive 1/2" Deep Impact Socket - 6 Point
UW-1518-2	1/2" Drive 9/16" Deep Impact Socket - 6 Point
UW-1520-2	1/2" Drive 5/8" Deep Impact Socket - 6 Point
UW-1522-2	1/2" Drive 11/16" Deep Impact Socket - 6 Point

Contents	Description
UW-1524-2	1/2" Drive 3/4" Deep Impact Socket - 6 Point
UW-1526-2	1/2" Drive 13/16" Deep Impact Socket - 6 Point
UW-1528-2	1/2" Drive 7/8" Deep Impact Socket - 6 Point
UW-1530-2	1/2" Drive 15/16" Deep Impact Socket - 6 Point
UW-1532-2	1/2" Drive 1" Deep Impact Socket - 6 Point
UW-1534-2	1/2" Drive 1-1/16" Deep Impact Socket - 6 Point
UW-1536-2	1/2" Drive 1-1/8" Deep Impact Socket - 6 Point
UW-1538-2	1/2" Drive 1-1/4" Deep Impact Socket - 6 Point
UW-1612-2	1/2" Drive 3/8" Impact Socket - 6 Point
UW-1614-2	1/2" Drive 7/16" Impact Socket - 6 Point
UW-1616-2	1/2" Drive 1/2" Impact Socket - 6 Point
UW-1618-2	1/2" Drive 9/16" Impact Socket - 6 Point
UW-1620-2	1/2" Drive 5/8" Impact Socket - 6 Point
UW-1622-2	1/2" Drive 11/16" Impact Socket - 6 Point
UW-1624-2	1/2" Drive 3/4" Impact Socket - 6 Point
UW-1626-2	1/2" Drive 13/16" Impact Socket - 6 Point
UW-1628-2	1/2" Drive 7/8" Impact Socket - 6 Point
UW-1630-2	1/2" Drive 15/16" Impact Socket - 6 Point
UW-1632-2	1/2" Drive 1" Impact Socket - 6 Point
UW-1634-2	1/2" Drive 1-1/16" Impact Socket - 6 Point
UW-1636-2	1/2" Drive 1-1/8" Impact Socket - 6 Point
UW-1638-2	1/2" Drive 1-3/16" Impact Socket - 6 Point
UW-1640-2	1/2" Drive 1-1/4" Impact Socket - 6 Point
UW-20-2	3/8" Drive Impact Extension - 3"
UW-21-2	3/8" Drive Impact Extension - 5"
UW-22-2	3/8" Drive Impact Extension - 10"
UW-23-2	3/8" Drive Impact Universal Joint - 3"
UW-24-2	1/2" Drive Impact Extension - 5"
UW-2424-2	3/4" Drive 3/4" Impact Socket - 6 Point
UW-2426-2	3/4" Drive 13/16" Impact Socket - 6 Point
UW-2428-2	3/4" Drive 7/8" Impact Socket - 6 Point
UW-2430-2	3/4" Drive 15/16" Impact Socket - 6 Point
UW-2432-2	3/4" Drive 1" Impact Socket - 6 Point
UW-2434-2	3/4" Drive 1-1/16" Impact Socket - 6 Point
UW-2436-2	3/4" Drive 1-1/8" Impact Socket - 6 Point
UW-2438-2	3/4" Drive 1-3/16" Impact Socket - 6 Point
UW-2440-2	3/4" Drive 1-1/4" Impact Socket - 6 Point
UW-2442-2	3/4" Drive 1-5/16" Impact Socket - 6 Point
UW-2444-2	3/4" Drive 1-3/8" Impact Socket - 6 Point
UW-2446-2	3/4" Drive 1-7/16" Impact Socket - 6 Point
UW-2448-2	3/4" Drive 1-1/2" Impact Socket - 6 Point
UW-2452-2	3/4" Drive 1-5/8" Impact Socket - 6 Point
UW-25-2	1/2" Drive Impact Extension - 10"
UW-2624-2	3/4" Drive 3/4" Deep Impact Socket - 6 Point
UW-2626-2	3/4" Drive 13/16" Deep Impact Socket - 6 Point
UW-2628-2	3/4" Drive 7/8" Deep Impact Socket - 6 Point
UW-2630-2	3/4" Drive 15/16" Deep Impact Socket - 6 Point
UW-2632-2	3/4" Drive 1" Deep Impact Socket - 6 Point
UW-2634-2	3/4" Drive 1-1/16" Deep Impact Socket - 6 Point
UW-2636-2	3/4" Drive 1-1/8" Deep Impact Socket - 6 Point
UW-2638-2	3/4" Drive 1-3/16" Deep Impact Socket - 6 Point
UW-2640-2	3/4" Drive 1-1/4" Deep Impact Socket - 6 Point



485 PIECE MASTER TOOL SET, *continued***Item #: 970485**

Contents	Description
UW-2642-2	3/4" Drive 1-5/16" Deep Impact Socket - 6 Point
UW-2644-2	3/4" Drive 1-3/8" Deep Impact Socket - 6 Point
UW-2646-2	3/4" Drive 1-7/16" Deep Impact Socket - 6 Point
UW-2648-2	3/4" Drive 1-1/2" Deep Impact Socket - 6 Point
UW-2652-2	3/4" Drive 1-5/8" Deep Impact Socket - 6 Point
UW-30-2	1/2" Drive Impact Extension - 3"
UW-510M-2	1/2" Drive 10mm Deep Impact Socket - 6 Point
UW-511M-2	1/2" Drive 11mm Deep Impact Socket - 6 Point
UW-512M-2	1/2" Drive 12mm Deep Impact Socket - 6 Point
UW-513M-2	1/2" Drive 13mm Deep Impact Socket - 6 Point
UW-514M-2	1/2" Drive 14mm Deep Impact Socket - 6 Point
UW-515M-2	1/2" Drive 15mm Deep Impact Socket - 6 Point
UW-516M-2	1/2" Drive 16mm Deep Impact Socket - 6 Point
UW-517M-2	1/2" Drive 17mm Deep Impact Socket - 6 Point
UW-518M-2	1/2" Drive 18mm Deep Impact Socket - 6 Point
UW-519M-2	1/2" Drive 19mm Deep Impact Socket - 6 Point
UW-520M-2	1/2" Drive 20mm Deep Impact Socket - 6 Point
UW-521M-2	1/2" Drive 21mm Deep Impact Socket - 6 Point
UW-522M-2	1/2" Drive 22mm Deep Impact Socket - 6 Point
UW-524M-2	1/2" Drive 24mm Deep Impact Socket - 6 Point
UW-526M-2	1/2" Drive 26mm Deep Impact Socket - 6 Point

Contents	Description
UW-527M-2	1/2" Drive 27mm Deep Impact Socket - 6 Point
UW-610M-2	1/2" Drive 10mm Impact Socket - 6 Point
UW-611M-2	1/2" Drive 11mm Impact Socket - 6 Point
UW-612M-2	1/2" Drive 12mm Impact Socket - 6 Point
UW-613M-2	1/2" Drive 13mm Impact Socket - 6 Point
UW-614M-2	1/2" Drive 14mm Impact Socket - 6 Point
UW-615M-2	1/2" Drive 15mm Impact Socket - 6 Point
UW-616M-2	1/2" Drive 16mm Impact Socket - 6 Point
UW-617M-2	1/2" Drive 17mm Impact Socket - 6 Point
UW-618M-2	1/2" Drive 18mm Impact Socket - 6 Point
UW-619M-2	1/2" Drive 19mm Impact Socket - 6 Point
UW-620M-2	1/2" Drive 20mm Impact Socket - 6 Point
UW-621M-2	1/2" Drive 21mm Impact Socket - 6 Point
UW-622M-2	1/2" Drive 22mm Impact Socket - 6 Point
UW-624M-2	1/2" Drive 24mm Impact Socket - 6 Point
UW-626M-2	1/2" Drive 26mm Impact Socket - 6 Point
UW-627M-2	1/2" Drive 27mm Impact Socket - 6 Point
UWP-430M-2	1/2" Drive 30mm Axle Nut Socket - 6 Point
UWP-436M-2	1/2" Drive 36mm Axle Nut Socket - 6 Point
UWP-660-2	3/4" Drive 13/16" Buddwheel Socket

MASTER SETS



427 PIECE MASTER TOOL SET

Item #: 970427

- 276 - Sockets & Accessories
- 75 - Miscellaneous Tools
- 12 - Pliers
- 5 - Screwdrivers
- 59 - Wrenches

- 1/4", 3/8", & 1/2" Drives with Ratchets
- Chrome and Impact Sockets
- Standard and Metric Sizing
- Wrenches: Combination – Fixed, XL Combination Ratcheting, Locking Flex Ratcheting; Adjustable
- Weight (lbs): 72.95



Contents	Description
30012	12 Point Standard Inch Socket 3/8" Drive 3/8"
30014	12 Point Standard Inch Socket 3/8" Drive 7/16"
30016	12 Point Standard Inch Socket 3/8" Drive 1/2"
30018	12 Point Standard Inch Socket 3/8" Drive 9/16"
30020	12 Point Standard Inch Socket 3/8" Drive 5/8"
30022	12 Point Standard Inch Socket 3/8" Drive 11/16"
30024	12 Point Standard Inch Socket 3/8" Drive 3/4"
30026	12 Point Standard Inch Socket 3/8" Drive 13/16"
30028	12 Point Standard Inch Socket 3/8" Drive 7/8"
300301	12 Point Standard Inch Socket 3/8" Drive 15/16"
300321	12 Point Standard Inch Socket 3/8" Drive 1"
30412	12 Point Deep Inch Socket 3/8" Drive 3/8"
30414	12 Point Deep Inch Socket 3/8" Drive 7/16"
30416	12 Point Deep Inch Socket 3/8" Drive 1/2"
30418	12 Point Deep Inch Socket 3/8" Drive 9/16"
30420	12 Point Deep Inch Socket 3/8" Drive 5/8"
30422	12 Point Deep Inch Socket 3/8" Drive 11/16"
30424	12 Point Deep Inch Socket 3/8" Drive 3/4"
30426	12 Point Deep Inch Socket 3/8" Drive 13/16"
30428	12 Point Deep Inch Socket 3/8" Drive 7/8"
30430	12 Point Deep Inch Socket 3/8" Drive 15/16"
30432	12 Point Deep Inch Socket 3/8" Drive 1"

Contents	Description
30612	6 Point Standard Inch Socket 3/8" Drive 3/8"
30614	6 Point Standard Inch Socket 3/8" Drive 7/16"
30616	6 Point Standard Inch Socket 3/8" Drive 1/2"
30618	6 Point Standard Inch Socket 3/8" Drive 9/16"
30620	6 Point Standard Inch Socket 3/8" Drive 5/8"
30622	6 Point Standard Inch Socket 3/8" Drive 11/16"
30624	6 Point Standard Inch Socket 3/8" Drive 3/4"
30626	6 Point Standard Inch Socket 3/8" Drive 13/16"
30628	6 Point Standard Inch Socket 3/8" Drive 7/8"
30630	6 Point Standard Inch Socket 3/8" Drive 15/16"
30632	6 Point Standard Inch Socket 3/8" Drive 1"
31108	8 Point Standard Inch Socket 3/8" Drive 1/4"
31110	8 Point Standard Inch Socket 3/8" Drive 5/16"
31112	8 Point Standard Inch Socket 3/8" Drive 3/8"
31114	8 Point Standard Inch Socket 3/8" Drive 7/16"
31116	8 Point Standard Inch Socket 3/8" Drive 1/2"
32008M	6 Point Standard Metric Socket 3/8" Drive 8 mm
32009M	6 Point Standard Metric Socket 3/8" Drive 9 mm
32010M	6 Point Standard Metric Socket 3/8" Drive 10 mm
32011M	6 Point Standard Metric Socket 3/8" Drive 11 mm
32012M	6 Point Standard Metric Socket 3/8" Drive 12 mm
32013M	6 Point Standard Metric Socket 3/8" Drive 13 mm



427 PIECE MASTER TOOL SET, *continued*

Item #: 970427

Contents	Description
32014M	6 Point Standard Metric Socket 3/8" Drive 14 mm
32015M	6 Point Standard Metric Socket 3/8" Drive 15 mm
32016M	6 Point Standard Metric Socket 3/8" Drive 16 mm
32017M	6 Point Standard Metric Socket 3/8" Drive 17 mm
32018M	6 Point Standard Metric Socket 3/8" Drive 18 mm
32019M	6 Point Standard Metric Socket 3/8" Drive 19 mm
32020M	6 Point Standard Metric Socket 3/8" Drive 20 mm
34007M	12 Point Standard Metric Socket 3/8" Drive 7 mm
34008M	12 Point Standard Metric Socket 3/8" Drive 8 mm
34009M	12 Point Standard Metric Socket 3/8" Drive 9 mm
34010M	12 Point Standard Metric Socket 3/8" Drive 10 mm
34011M	12 Point Standard Metric Socket 3/8" Drive 11 mm
34012M	12 Point Standard Metric Socket 3/8" Drive 12 mm
34013M	12 Point Standard Metric Socket 3/8" Drive 13 mm
34014M	12 Point Standard Metric Socket 3/8" Drive 14 mm
34015M	12 Point Standard Metric Socket 3/8" Drive 15 mm
34016M	12 Point Standard Metric Socket 3/8" Drive 16 mm
34017M	12 Point Standard Metric Socket 3/8" Drive 17 mm
34018M	12 Point Standard Metric Socket 3/8" Drive 18 mm
34019M	12 Point Standard Metric Socket 3/8" Drive 19 mm
34020M	12 Point Standard Metric Socket 3/8" Drive 20 mm
34960	1/4" Drive 1/4" x 3/8" Adapter
34963	3/8" Drive 3/8" x 1/4" Adapter
34965	1/2" Drive 1/2" x 3/8" Adapter
34966	3/8" Drive 3/8" x 1/2" Adapter
34984L	3/8" Drive Locking Extension 10"
34987L	3/8" Drive Locking Extension 6"
34988L	3/8" Drive Locking Extension 3"
40112	12 Point Standard Inch Socket 1/2" Drive 3/8"
40114	12 Point Standard Inch Socket 1/2" Drive 7/16"
40116	12 Point Standard Inch Socket 1/2" Drive 1/2"
40118	12 Point Standard Inch Socket 1/2" Drive 9/16"
40120	12 Point Standard Inch Socket 1/2" Drive 5/8"
40122	12 Point Standard Inch Socket 1/2" Drive 11/16"
40124	12 Point Standard Inch Socket 1/2" Drive 3/4"
40128	12 Point Standard Inch Socket 1/2" Drive 7/8"
40130	12 Point Standard Inch Socket 1/2" Drive 15/16"
40132	12 Point Standard Inch Socket 1/2" Drive 1"
40316	12 Point Deep Inch Socket 1/2" Drive 1/2"
40318	12 Point Deep Inch Socket 1/2" Drive 9/16"
40320	12 Point Deep Inch Socket 1/2" Drive 5/8"
40322	12 Point Deep Inch Socket 1/2" Drive 11/16"
40324	12 Point Deep Inch Socket 1/2" Drive 3/4"
40326	12 Point Deep Inch Socket 1/2" Drive 13/16"
40326S	6 Point 1/2" Drive Spark Plug Socket 13/16"
40328	12 Point Deep Inch Socket 1/2" Drive 7/8"
40330	12 Point Deep Inch Socket 1/2" Drive 15/16"
40332	12 Point Deep Inch Socket 1/2" Drive 1"
40334	12 Point Deep Inch Socket 1/2" Drive 1-1/16"
40336	12 Point Deep Inch Socket 1/2" Drive 1-1/8"
40612	6 Point Standard Inch Socket 1/2" Drive 3/8"
40614	6 Point Standard Inch Socket 1/2" Drive 7/16"

Contents	Description
40616	6 Point Standard Inch Socket 1/2" Drive 1/2"
40618	6 Point Standard Inch Socket 1/2" Drive 9/16"
40620	6 Point Standard Inch Socket 1/2" Drive 5/8"
40622	6 Point Standard Inch Socket 1/2" Drive 11/16"
40624	6 Point Standard Inch Socket 1/2" Drive 3/4"
40628	6 Point Standard Inch Socket 1/2" Drive 7/8"
40630	6 Point Standard Inch Socket 1/2" Drive 15/16"
40632	6 Point Standard Inch Socket 1/2" Drive 1"
42010M	6 Point Standard Metric Socket 1/2" Drive 10 mm
42011M	6 Point Standard Metric Socket 1/2" Drive 11 mm
42012M	6 Point Standard Metric Socket 1/2" Drive 12 mm
42013M	6 Point Standard Metric Socket 1/2" Drive 13 mm
42014M	6 Point Standard Metric Socket 1/2" Drive 14 mm
42015M	12 Point Standard Metric Socket 1/2" Drive 15 mm
42016M	12 Point Standard Metric Socket 1/2" Drive 16 mm
42017M	12 Point Standard Metric Socket 1/2" Drive 17 mm
42019M	12 Point Standard Metric Socket 1/2" Drive 19 mm
42021M	12 Point Standard Metric Socket 1/2" Drive 21 mm
42022M	12 Point Standard Metric Socket 1/2" Drive 22 mm
42023M	12 Point Standard Metric Socket 1/2" Drive 23 mm
42024M	12 Point Standard Metric Socket 1/2" Drive 24 mm
43010M	12 Point Standard Metric Socket 1/2" Drive 10 mm
43011M	12 Point Standard Metric Socket 1/2" Drive 11 mm
43012M	12 Point Standard Metric Socket 1/2" Drive 12 mm
43013M	12 Point Standard Metric Socket 1/2" Drive 13 mm
43014M	12 Point Standard Metric Socket 1/2" Drive 14 mm
43015M	12 Point Standard Metric Socket 1/2" Drive 15 mm
43017M	6 Point Standard Metric Socket 1/2" Drive 17 mm
43019M	6 Point Standard Metric Socket 1/2" Drive 19 mm
43021M	6 Point Standard Metric Socket 1/2" Drive 21 mm
43022M	6 Point Standard Metric Socket 1/2" Drive 22 mm
43023M	6 Point Standard Metric Socket 1/2" Drive 23 mm
43024M	6 Point Standard Metric Socket 1/2" Drive 24 mm
43027M	6 Point Standard Metric Socket 1/2" Drive 27 mm
44012M	12 Point Deep Metric Socket 1/2" Drive 12 mm
44013M	12 Point Deep Metric Socket 1/2" Drive 13 mm
44014M	12 Point Deep Metric Socket 1/2" Drive 14 mm
44015M	12 Point Deep Metric Socket 1/2" Drive 15 mm
44016M	12 Point Deep Metric Socket 1/2" Drive 16 mm
44017M	12 Point Deep Metric Socket 1/2" Drive 17 mm
44018M	12 Point Deep Metric Socket 1/2" Drive 18 mm
44019M	12 Point Deep Metric Socket 1/2" Drive 19 mm
44020M	12 Point Deep Metric Socket 1/2" Drive 20 mm
44021M	12 Point Deep Metric Socket 1/2" Drive 21 mm
44022M	12 Point Deep Metric Socket 1/2" Drive 22 mm
49964L	1/2" Drive Locking Extension 3"
49966L	1/2" Drive Locking Extension 6"
49990L	1/2" Drive Locking Extension 10"
940-JS	40 Piece Insert Bit Set
AW-1004-2	Adjustable Wrench - 4"
AW-1008-2	Adjustable Wrench - 8"
AW-1012-2	Adjustable Wrench - 12"



427 PIECE MASTER TOOL SET, *continued*

Item #: 970427

Contents	Description
BP-1214QR	1/4" Drive Quick-Release Ratchet
BP-1338QR	3/8" Drive Quick-Release Ratchet
BP-1412QR	1/2" Drive Quick-Release Ratchet
BW-1110M	Satin Finish Combination Wrench 10mm - 12 Point
BW-1111M	Satin Finish Combination Wrench 11mm - 12 Point
BW-1112M	Satin Finish Combination Wrench 12mm - 12 Point
BW-1113M	Satin Finish Combination Wrench 13mm - 12 Point
BW-1114M	Satin Finish Combination Wrench 14mm - 12 Point
BW-1115M	Satin Finish Combination Wrench 15mm - 12 Point
BW-1160	Satin Finish Combination Wrench 3/8" - 12 Point
BW-1161	Satin Finish Combination Wrench 7/16" - 12 Point
BW-1162	Satin Finish Combination Wrench 1/2" - 12 Point
BW-1163	Satin Finish Combination Wrench 9/16" - 12 Point
BW-1164	Satin Finish Combination Wrench 5/8" - 12 Point
BW-1166	Satin Finish Combination Wrench 3/4" - 12 Point
BW-1306	XL Combination Ratcheting Wrench - 5/16"
BW-1308	XL Combination Ratcheting Wrench - 11/32"
BW-1308M	XL Combination Ratcheting Wrench - 8mm
BW-1309M	XL Combination Ratcheting Wrench - 9mm
BW-1310	XL Combination Ratcheting Wrench - 3/8"
BW-1310M	XL Combination Ratcheting Wrench - 10mm
BW-1311M	XL Combination Ratcheting Wrench - 11mm
BW-1312	XL Combination Ratcheting Wrench - 7/16"
BW-1312M	XL Combination Ratcheting Wrench - 12mm
BW-1313M	XL Combination Ratcheting Wrench - 13mm
BW-1314	XL Combination Ratcheting Wrench - 1/2"
BW-1314M	XL Combination Ratcheting Wrench - 14mm
BW-1315M	XL Combination Ratcheting Wrench - 15mm
BW-1316	XL Combination Ratcheting Wrench - 9/16"
BW-1316M	XL Combination Ratcheting Wrench - 16mm
BW-1317M	XL Combination Ratcheting Wrench - 17mm
BW-1318	XL Combination Ratcheting Wrench - 5/8"
BW-1318M	XL Combination Ratcheting Wrench - 18mm
BW-1319M	XL Combination Ratcheting Wrench - 19mm
BW-1320	XL Combination Ratcheting Wrench - 11/16"
BW-1322	XL Combination Ratcheting Wrench - 3/4"
BW-1324	XL Combination Ratcheting Wrench - 13/16"
BW-1326	XL Combination Ratcheting Wrench - 7/8"
BW-1328	XL Combination Ratcheting Wrench - 15/16"
BW-3209L	Locking Flex-Head Ratcheting Wrench 5/16"
BW-3210L	Locking Flex-Head Ratcheting Wrench 3/8"
BW-3212L	Locking Flex-Head Ratcheting Wrench 7/16"
BW-3214L	Locking Flex-Head Ratcheting Wrench 1/2"
BW-3216L	Locking Flex-Head Ratcheting Wrench 9/16"
BW-3218L	Locking Flex-Head Ratcheting Wrench 5/8"
BW-3220L	Locking Flex-Head Ratcheting Wrench 11/16"
BW-3222L	Locking Flex-Head Ratcheting Wrench 3/4"
BW-3258L	Locking Flex-Head Ratcheting Wrench 8mm
BW-3259L	Locking Flex-Head Ratcheting Wrench 9mm
BW-3260AL	Locking Flex-Head Ratcheting Wrench 11mm
BW-3260L	Locking Flex-Head Ratcheting Wrench 10mm
BW-3261L	Locking Flex-Head Ratcheting Wrench 12mm

Contents	Description
BW-3262L	Locking Flex-Head Ratcheting Wrench 13mm
BW-3263L	Locking Flex-Head Ratcheting Wrench 14mm
BW-3264L	Locking Flex-Head Ratcheting Wrench 15mm
BW-3265L	Locking Flex-Head Ratcheting Wrench 16mm
BW-3266L	Locking Flex-Head Ratcheting Wrench 17mm
BW-3267L	Locking Flex-Head Ratcheting Wrench 18mm
BW-3268L	Locking Flex-Head Ratcheting Wrench 19mm
GW-1506	6 Point Deep Inch Socket 1/4" Drive 3/16"
GW-1507	6 Point Deep Inch Socket 1/4" Drive 7/32"
GW-1508	6 Point Deep Inch Socket 1/4" Drive 1/4"
GW-1509	6 Point Deep Inch Socket 1/4" Drive 9/32"
GW-1510	6 Point Deep Inch Socket 1/4" Drive 5/16"
GW-1511	6 Point Deep Inch Socket 1/4" Drive 11/32"
GW-1512	6 Point Deep Inch Socket 1/4" Drive 3/8"
GW-1514	6 Point Deep Inch Socket 1/4" Drive 7/16"
GW-1516	6 Point Deep Inch Socket 1/4" Drive 1/2"
GW-1606	6 Point Standard Inch Socket 1/4" Drive 3/16"
GW-1607	6 Point Standard Inch Socket 1/4" Drive 7/32"
GW-1608	6 Point Standard Inch Socket 1/4" Drive 1/4"
GW-1609	6 Point Standard Inch Socket 1/4" Drive 9/32"
GW-1610	6 Point Standard Inch Socket 1/4" Drive 5/16"
GW-1611	6 Point Standard Inch Socket 1/4" Drive 11/32"
GW-1612	6 Point Standard Inch Socket 1/4" Drive 3/8"
GW-1614	6 Point Standard Inch Socket 1/4" Drive 7/16"
GW-1616	6 Point Standard Inch Socket 1/4" Drive 1/2"
GW-1705	12 Point Standard Inch Socket 1/4" Drive 5/32"
GW-1706	12 Point Standard Inch Socket 1/4" Drive 3/16"
GW-1707	12 Point Standard Inch Socket 1/4" Drive 7/32"
GW-1708	12 Point Standard Inch Socket 1/4" Drive 1/4"
GW-1709	12 Point Standard Inch Socket 1/4" Drive 9/32"
GW-1710	12 Point Standard Inch Socket 1/4" Drive 5/16"
GW-1711	12 Point Standard Inch Socket 1/4" Drive 11/32"
GW-1712	12 Point Standard Inch Socket 1/4" Drive 3/8"
GW-1714	12 Point Standard Inch Socket 1/4" Drive 7/16"
GW-1716	12 Point Standard Inch Socket 1/4" Drive 1/2"
GW-505M	6 Point Deep Metric Socket 1/4" Drive 5 mm
GW-506M	6 Point Deep Metric Socket 1/4" Drive 6 mm
GW-507M	6 Point Deep Metric Socket 1/4" Drive 7 mm
GW-508M	6 Point Deep Metric Socket 1/4" Drive 8 mm
GW-509M	6 Point Deep Metric Socket 1/4" Drive 9 mm
GW-510M	6 Point Deep Metric Socket 1/4" Drive 10 mm
GW-511M	6 Point Deep Metric Socket 1/4" Drive 11 mm
GW-512M	6 Point Deep Metric Socket 1/4" Drive 12 mm
GW-513M	6 Point Deep Metric Socket 1/4" Drive 13 mm
GW-604M	6 Point Standard Metric Socket 1/4" Drive 4 mm
GW-605M	6 Point Standard Metric Socket 1/4" Drive 5 mm
GW-606M	6 Point Standard Metric Socket 1/4" Drive 6 mm
GW-607M	6 Point Standard Metric Socket 1/4" Drive 7 mm
GW-608M	6 Point Standard Metric Socket 1/4" Drive 8 mm
GW-609M	6 Point Standard Metric Socket 1/4" Drive 9 mm
GW-610M	6 Point Standard Metric Socket 1/4" Drive 10 mm
GW-611M	6 Point Standard Metric Socket 1/4" Drive 11 mm



427 PIECE MASTER TOOL SET, *continued*

Item #: 970427

Contents	Description
GW-612M	6 Point Standard Metric Socket 1/4" Drive 12 mm
GW-613M	6 Point Standard Metric Socket 1/4" Drive 13 mm
GW-645M	6 Point Standard Metric Socket 1/4" Drive 4.5 mm
GW-655M	6 Point Standard Metric Socket 1/4" Drive 5.5 mm
GW-705M	12 Point Standard Metric Socket 1/4" Drive 5 mm
GW-706M	12 Point Standard Metric Socket 1/4" Drive 6 mm
GW-707M	12 Point Standard Metric Socket 1/4" Drive 7 mm
GW-708M	12 Point Standard Metric Socket 1/4" Drive 8 mm
GW-709M	12 Point Standard Metric Socket 1/4" Drive 9 mm
GW-710M	12 Point Standard Metric Socket 1/4" Drive 10 mm
GW-711M	12 Point Standard Metric Socket 1/4" Drive 11 mm
GW-712M	12 Point Standard Metric Socket 1/4" Drive 12 mm
GW-713M	12 Point Standard Metric Socket 1/4" Drive 13 mm
GW-9898L	1/4" Drive Locking Extension 4"
GW-9899L	1/4" Drive Locking Extension 6"
HW-1510M	6 Point Deep Metric Socket 3/8" Drive 10 mm
HW-1511M	6 Point Deep Metric Socket 3/8" Drive 11 mm
HW-1512	6 Point Deep Inch Socket 3/8" Drive 3/8"
HW-1512M	6 Point Deep Metric Socket 3/8" Drive 12 mm
HW-1513M	6 Point Deep Metric Socket 3/8" Drive 13 mm
HW-1514	6 Point Deep Inch Socket 3/8" Drive 7/16"
HW-1514M	6 Point Deep Metric Socket 3/8" Drive 14 mm
HW-1515M	6 Point Deep Metric Socket 3/8" Drive 15 mm
HW-1516	6 Point Deep Inch Socket 3/8" Drive 1/2"
HW-1517M	6 Point Deep Metric Socket 3/8" Drive 17 mm
HW-1518	6 Point Deep Inch Socket 3/8" Drive 9/16"
HW-1518M	6 Point Deep Metric Socket 3/8" Drive 18 mm
HW-1519M	6 Point Deep Metric Socket 3/8" Drive 19 mm
HW-1520	6 Point Deep Inch Socket 3/8" Drive 5/8"
HW-1520S	3/8" Drive Spark Plug Socket 5/8"
HW-1522	6 Point Deep Inch Socket 3/8" Drive 11/16"
HW-1524	6 Point Deep Inch Socket 3/8" Drive 3/4"
HW-1526	6 Point Deep Inch Socket 3/8" Drive 13/16"
HW-1526S	Spark Plug Socket 3/8" Drive 13/16"
HW-1528	6 Point Deep Inch Socket 3/8" Drive 7/8"
HW-1607M	12 Point Deep Metric Socket 3/8" Drive 7 mm
HW-1608M	12 Point Deep Metric Socket 3/8" Drive 8 mm
HW-1609M	12 Point Deep Metric Socket 3/8" Drive 9 mm
HW-1610M	12 Point Deep Metric Socket 3/8" Drive 10 mm
HW-1611M	12 Point Deep Metric Socket 3/8" Drive 11 mm
HW-1612M	12 Point Deep Metric Socket 3/8" Drive 12 mm
HW-1613M	12 Point Deep Metric Socket 3/8" Drive 13 mm
HW-1614M	12 Point Deep Metric Socket 3/8" Drive 14 mm
HW-1615M	12 Point Deep Metric Socket 3/8" Drive 15 mm
HW-1616M	12 Point Deep Metric Socket 3/8" Drive 16 mm
HW-1617M	12 Point Deep Metric Socket 3/8" Drive 17 mm
HW-1618M	12 Point Deep Metric Socket 3/8" Drive 18 mm
HW-1619M	12 Point Deep Metric Socket 3/8" Drive 19 mm
HW-9404M-2	3/8" Drive Hex Bit Socket - 4 mm
HW-9406M-2	3/8" Drive Hex Bit Socket - 6 mm
HW-9407M-2	3/8" Drive Hex Bit Socket - 7 mm
HW-9408M-2	3/8" Drive Hex Bit Socket - 8 mm

Contents	Description
HW-9410M-2	3/8" Drive Hex Bit Socket - 10 mm
HW-9442-2	3/8" Drive Hex Bit Socket - 1/8"
HW-9444-2	3/8" Drive Hex Bit Socket - 5/32"
HW-9445-2	3/8" Drive Hex Bit Socket - 3/8"
HW-9446-2	3/8" Drive Hex Bit Socket - 5/16"
HW-9447-2	3/8" Drive Hex Bit Socket - 1/4"
HW-9448-2	3/8" Drive Hex Bit Socket - 7/32"
PT-1003-2	8" Slip Joint Pliers
PT-1057-2	7" Diagonal Cutting Pliers - Heavy Duty
PT-1106L	6" Long Nose Locking Pliers
PT-1108-2	9" Linemans Pliers
PT-1110-2	10" Curved Jaw Locking Pliers
PT-1128-2	6" Needle Nose Cutting Pliers - Heavy Duty
PT-1130-2	6" End Nipper Pliers
PT-1149-2	6" Curved Needle Nose Pliers
PT-1153-2	4" Precision Diagonal Cutting Pliers
PT-1207	7" Curved Jaw Locking Pliers - Quick Release
PT-1248-2	12" Rib Lock Pliers
PT-1263-2	8" Rib Lock Pliers
ST-803	Nut Driver Inch 1/4"
ST-806	Nut Driver Inch 5/16"
ST-809	Nut Driver Inch 11/32"
ST-812	Nut Driver Inch 3/8"
ST-815	Nut Driver Inch 7/16"
ST-SS1	1/4" Drive Socket Spinner
U-1508-2	3/8" Drive 1/4" Impact Socket - 6 Point
U-1510-2	3/8" Drive 5/16" Impact Socket - 6 Point
U-1512-2	3/8" Drive 3/8" Impact Socket - 6 Point
U-1514-2	3/8" Drive 7/16" Impact Socket - 6 Point
U-1516-2	3/8" Drive 1/2" Impact Socket - 6 Point
U-1518-2	3/8" Drive 9/16" Impact Socket - 6 Point
U-1520-2	3/8" Drive 5/8" Impact Socket - 6 Point
U-1522-2	3/8" Drive 11/16" Impact Socket - 6 Point
U-1524-2	3/8" Drive 3/4" Impact Socket - 6 Point
U-1526-2	3/8" Drive 13/16" Impact Socket - 6 Point
U-1528-2	3/8" Drive 7/8" Impact Socket - 6 Point
U-1530-2	3/8" Drive 15/16" Impact Socket - 6 Point
U-1610-2	3/8" Drive 5/16" Deep Impact Socket - 6 Point
U-1612-2	3/8" Drive 3/8" Deep Impact Socket - 6 Point
U-1614-2	3/8" Drive 7/16" Deep Impact Socket - 6 Point
U-1616-2	3/8" Drive 1/2" Deep Impact Socket - 6 Point
U-1618-2	3/8" Drive 9/16" Deep Impact Socket - 6 Point
U-1620-2	3/8" Drive 5/8" Deep Impact Socket - 6 Point
U-1622-2	3/8" Drive 11/16" Deep Impact Socket - 6 Point
U-1624-2	3/8" Drive 3/4" Deep Impact Socket - 6 Point
U-1626-2	3/8" Drive 13/16" Deep Impact Socket - 6 Point
U-1628-2	3/8" Drive 7/8" Deep Impact Socket - 6 Point
U-1630-2	3/8" Drive 15/16" Deep Impact Socket - 6 Point
U-1632-2	3/8" Drive 1" Deep Impact Socket - 6 Point
ZW-53	13 Piece Standard Hex Wrench Set
ZW-59	13 Piece Standard Long Hex Key Wrench Set
ZW-69	9 Piece Metric Hex Key Wrench Set





375 PIECE MASTER TOOL SET

Item #: 970375

- 252 - Sockets & Accessories
- 75 - Miscellaneous Tools
- 12 - Screwdrivers
- 36 - Wrenches

- 1/4", 3/8", & 1/2" Drives with Ratchets
- Chrome Sockets Only
- Standard and Metric Sizing
- Wrenches: Combination – Fixed, XL Combination Ratcheting
- Weight (lbs): 59.63



Contents	Description
30012	12 Point Standard Inch Socket 3/8" Drive 3/8"
30014	12 Point Standard Inch Socket 3/8" Drive 7/16"
30016	12 Point Standard Inch Socket 3/8" Drive 1/2"
30018	12 Point Standard Inch Socket 3/8" Drive 9/16"
30020	12 Point Standard Inch Socket 3/8" Drive 5/8"
30022	12 Point Standard Inch Socket 3/8" Drive 11/16"
30024	12 Point Standard Inch Socket 3/8" Drive 3/4"
30026	12 Point Standard Inch Socket 3/8" Drive 13/16"
30028	12 Point Standard Inch Socket 3/8" Drive 7/8"
300301	12 Point Standard Inch Socket 3/8" Drive 15/16"
300321	12 Point Standard Inch Socket 3/8" Drive 1"
30412	12 Point Deep Inch Socket 3/8" Drive 3/8"
30414	12 Point Deep Inch Socket 3/8" Drive 7/16"
30416	12 Point Deep Inch Socket 3/8" Drive 1/2"
30418	12 Point Deep Inch Socket 3/8" Drive 9/16"
30420	12 Point Deep Inch Socket 3/8" Drive 5/8"
30422	12 Point Deep Inch Socket 3/8" Drive 11/16"
30424	12 Point Deep Inch Socket 3/8" Drive 3/4"

Contents	Description
30426	12 Point Deep Inch Socket 3/8" Drive 13/16"
30428	12 Point Deep Inch Socket 3/8" Drive 7/8"
30430	12 Point Deep Inch Socket 3/8" Drive 15/16"
30432	12 Point Deep Inch Socket 3/8" Drive 1"
30612	6 Point Standard Inch Socket 3/8" Drive 3/8"
30614	6 Point Standard Inch Socket 3/8" Drive 7/16"
30616	6 Point Standard Inch Socket 3/8" Drive 1/2"
30618	6 Point Standard Inch Socket 3/8" Drive 9/16"
30620	6 Point Standard Inch Socket 3/8" Drive 5/8"
30622	6 Point Standard Inch Socket 3/8" Drive 11/16"
30624	6 Point Standard Inch Socket 3/8" Drive 3/4"
30626	6 Point Standard Inch Socket 3/8" Drive 13/16"
30628	6 Point Standard Inch Socket 3/8" Drive 7/8"
30630	6 Point Standard Inch Socket 3/8" Drive 15/16"
30632	6 Point Standard Inch Socket 3/8" Drive 1"
31108	8 Point Standard Inch Socket 3/8" Drive 1/4"
31110	8 Point Standard Inch Socket 3/8" Drive 5/16"
31112	8 Point Standard Inch Socket 3/8" Drive 3/8"



375 PIECE MASTER TOOL SET, *continued*

Item #: 970375

Contents	Description
31114	8 Point Standard Inch Socket 3/8" Drive 7/16"
31116	8 Point Standard Inch Socket 3/8" Drive 1/2"
32007M	6 Point Standard Metric Socket 3/8" Drive 7 mm
32008M	6 Point Standard Metric Socket 3/8" Drive 8 mm
32009M	6 Point Standard Metric Socket 3/8" Drive 9 mm
32010M	6 Point Standard Metric Socket 3/8" Drive 10 mm
32011M	6 Point Standard Metric Socket 3/8" Drive 11 mm
32012M	6 Point Standard Metric Socket 3/8" Drive 12 mm
32013M	6 Point Standard Metric Socket 3/8" Drive 13 mm
32014M	6 Point Standard Metric Socket 3/8" Drive 14 mm
32015M	6 Point Standard Metric Socket 3/8" Drive 15 mm
32016M	6 Point Standard Metric Socket 3/8" Drive 16 mm
32017M	6 Point Standard Metric Socket 3/8" Drive 17 mm
32018M	6 Point Standard Metric Socket 3/8" Drive 18 mm
32019M	6 Point Standard Metric Socket 3/8" Drive 19 mm
32020M	6 Point Standard Metric Socket 3/8" Drive 20 mm
34007M	12 Point Standard Metric Socket 3/8" Drive 7 mm
34008M	12 Point Standard Metric Socket 3/8" Drive 8 mm
34009M	12 Point Standard Metric Socket 3/8" Drive 9 mm
34010M	12 Point Standard Metric Socket 3/8" Drive 10 mm
34011M	12 Point Standard Metric Socket 3/8" Drive 11 mm
34012M	12 Point Standard Metric Socket 3/8" Drive 12 mm
34013M	12 Point Standard Metric Socket 3/8" Drive 13 mm
34014M	12 Point Standard Metric Socket 3/8" Drive 14 mm
34015M	12 Point Standard Metric Socket 3/8" Drive 15 mm
34016M	12 Point Standard Metric Socket 3/8" Drive 16 mm
34017M	12 Point Standard Metric Socket 3/8" Drive 17 mm
34018M	12 Point Standard Metric Socket 3/8" Drive 18 mm
34019M	12 Point Standard Metric Socket 3/8" Drive 19 mm
34020M	12 Point Standard Metric Socket 3/8" Drive 20 mm
34960	1/4" Drive 1/4" x 3/8" Adapter
34963	3/8" Drive 3/8" x 1/4" Adapter
34965	1/2" Drive 1/2" x 3/8" Adapter
34982	3/8" Drive Speeder Handle
34984L	3/8" Drive Locking Extension 10"
34987L	3/8" Drive Locking Extension 6"
34988L	3/8" Drive Locking Extension 3"
34989	3/8" Drive Extension 1-3/4"
40112	12 Point Standard Inch Socket 1/2" Drive 3/8"
40114	12 Point Standard Inch Socket 1/2" Drive 7/16"
40116	12 Point Standard Inch Socket 1/2" Drive 1/2"
40118	12 Point Standard Inch Socket 1/2" Drive 9/16"
40120	12 Point Standard Inch Socket 1/2" Drive 5/8"
40122	12 Point Standard Inch Socket 1/2" Drive 11/16"
40124	12 Point Standard Inch Socket 1/2" Drive 3/4"
40128	12 Point Standard Inch Socket 1/2" Drive 7/8"
40130	12 Point Standard Inch Socket 1/2" Drive 15/16"
40132	12 Point Standard Inch Socket 1/2" Drive 1"
40316	12 Point Deep Inch Socket 1/2" Drive 1/2"
40318	12 Point Deep Inch Socket 1/2" Drive 9/16"
40320	12 Point Deep Inch Socket 1/2" Drive 5/8"
40322	12 Point Deep Inch Socket 1/2" Drive 11/16"

Contents	Description
40324	12 Point Deep Inch Socket 1/2" Drive 3/4"
40326	12 Point Deep Inch Socket 1/2" Drive 13/16"
40326S	6 Point 1/2" Drive Spark Plug Socket 13/16"
40328	12 Point Deep Inch Socket 1/2" Drive 7/8"
40330	12 Point Deep Inch Socket 1/2" Drive 15/16"
40332	12 Point Deep Inch Socket 1/2" Drive 1"
40334	12 Point Deep Inch Socket 1/2" Drive 1-1/16"
40336	12 Point Deep Inch Socket 1/2" Drive 1-1/8"
40612	6 Point Standard Inch Socket 1/2" Drive 3/8"
40614	6 Point Standard Inch Socket 1/2" Drive 7/16"
40616	6 Point Standard Inch Socket 1/2" Drive 1/2"
40618	6 Point Standard Inch Socket 1/2" Drive 9/16"
40620	6 Point Standard Inch Socket 1/2" Drive 5/8"
40622	6 Point Standard Inch Socket 1/2" Drive 11/16"
40624	6 Point Standard Inch Socket 1/2" Drive 3/4"
40628	6 Point Standard Inch Socket 1/2" Drive 7/8"
40630	6 Point Standard Inch Socket 1/2" Drive 15/16"
40632	6 Point Standard Inch Socket 1/2" Drive 1"
42010M	6 Point Standard Metric Socket 1/2" Drive 10 mm
42011M	6 Point Standard Metric Socket 1/2" Drive 11 mm
42012M	6 Point Standard Metric Socket 1/2" Drive 12 mm
42013M	6 Point Standard Metric Socket 1/2" Drive 13 mm
42014M	6 Point Standard Metric Socket 1/2" Drive 14 mm
42015M	12 Point Standard Metric Socket 1/2" Drive 15 mm
42017M	12 Point Standard Metric Socket 1/2" Drive 17 mm
42019M	12 Point Standard Metric Socket 1/2" Drive 19 mm
42021M	12 Point Standard Metric Socket 1/2" Drive 21 mm
42022M	12 Point Standard Metric Socket 1/2" Drive 22 mm
42023M	12 Point Standard Metric Socket 1/2" Drive 23 mm
42024M	12 Point Standard Metric Socket 1/2" Drive 24 mm
43010M	12 Point Standard Metric Socket 1/2" Drive 10 mm
43011M	12 Point Standard Metric Socket 1/2" Drive 11 mm
43012M	12 Point Standard Metric Socket 1/2" Drive 12 mm
43013M	12 Point Standard Metric Socket 1/2" Drive 13 mm
43014M	12 Point Standard Metric Socket 1/2" Drive 14 mm
43015M	12 Point Standard Metric Socket 1/2" Drive 15 mm
43017M	6 Point Standard Metric Socket 1/2" Drive 17 mm
43019M	6 Point Standard Metric Socket 1/2" Drive 19 mm
43021M	6 Point Standard Metric Socket 1/2" Drive 21 mm
43022M	6 Point Standard Metric Socket 1/2" Drive 22 mm
43023M	6 Point Standard Metric Socket 1/2" Drive 23 mm
43024M	6 Point Standard Metric Socket 1/2" Drive 24 mm
44012M	12 Point Deep Metric Socket 1/2" Drive 12 mm
44013M	12 Point Deep Metric Socket 1/2" Drive 13 mm
44014M	12 Point Deep Metric Socket 1/2" Drive 14 mm
44015M	12 Point Deep Metric Socket 1/2" Drive 15 mm
44016M	12 Point Deep Metric Socket 1/2" Drive 16 mm
44017M	12 Point Deep Metric Socket 1/2" Drive 17 mm
44018M	12 Point Deep Metric Socket 1/2" Drive 18 mm
44019M	12 Point Deep Metric Socket 1/2" Drive 19 mm
44020M	12 Point Deep Metric Socket 1/2" Drive 20 mm
44021M	12 Point Deep Metric Socket 1/2" Drive 21 mm





375 PIECE MASTER TOOL SET, *continued*

Item #: 970375

Contents	Description
44022M	12 Point Deep Metric Socket 1/2" Drive 22 mm
49964	1/2" Drive Extension 2"
49966L	1/2" Drive Locking Extension 6"
49990L	1/2" Drive Locking Extension 10"
940-JS	40 Piece Insert Bit Set
BP-1214QR	1/4" Drive Quick-Release Ratchet
BP-1338QR	3/8" Drive Quick-Release Ratchet
BP-1412QR	1/2" Drive Quick-Release Ratchet
BW-1110M	Satin Finish Combination Wrench 10mm - 12 Point
BW-1111M	Satin Finish Combination Wrench 11mm - 12 Point
BW-1112M	Satin Finish Combination Wrench 12mm - 12 Point
BW-1113M	Satin Finish Combination Wrench 13mm - 12 Point
BW-1114M	Satin Finish Combination Wrench 14mm - 12 Point
BW-1115M	Satin Finish Combination Wrench 15mm - 12 Point
BW-1160	Satin Finish Combination Wrench 3/8" - 12 Point
BW-1161	Satin Finish Combination Wrench 7/16" - 12 Point
BW-1162	Satin Finish Combination Wrench 1/2" - 12 Point
BW-1163	Satin Finish Combination Wrench 9/16" - 12 Point
BW-1164	Satin Finish Combination Wrench 5/8" - 12 Point
BW-1166	Satin Finish Combination Wrench 3/4" - 12 Point
BW-1306	XL Combination Ratcheting Wrench - 5/16"
BW-1308	XL Combination Ratcheting Wrench - 11/32"
BW-1308M	XL Combination Ratcheting Wrench - 8mm
BW-1309M	XL Combination Ratcheting Wrench - 9mm
BW-1310	XL Combination Ratcheting Wrench - 3/8"
BW-1310M	XL Combination Ratcheting Wrench - 10mm
BW-1311M	XL Combination Ratcheting Wrench - 11mm
BW-1312	XL Combination Ratcheting Wrench - 7/16"
BW-1312M	XL Combination Ratcheting Wrench - 12mm
BW-1313M	XL Combination Ratcheting Wrench - 13mm
BW-1314	XL Combination Ratcheting Wrench - 1/2"
BW-1314M	XL Combination Ratcheting Wrench - 14mm
BW-1315M	XL Combination Ratcheting Wrench - 15mm
BW-1316	XL Combination Ratcheting Wrench - 9/16"
BW-1316M	XL Combination Ratcheting Wrench - 16mm
BW-1317M	XL Combination Ratcheting Wrench - 17mm
BW-1318	XL Combination Ratcheting Wrench - 5/8"
BW-1318M	XL Combination Ratcheting Wrench - 18mm
BW-1319M	XL Combination Ratcheting Wrench - 19mm
BW-1320	XL Combination Ratcheting Wrench - 11/16"
BW-1322	XL Combination Ratcheting Wrench - 3/4"
BW-1324	XL Combination Ratcheting Wrench - 13/16"
BW-1326	XL Combination Ratcheting Wrench - 7/8"
BW-1328	XL Combination Ratcheting Wrench - 15/16"
GW-1506	6 Point Deep Inch Socket 1/4" Drive 3/16"
GW-1507	6 Point Deep Inch Socket 1/4" Drive 7/32"
GW-1508	6 Point Deep Inch Socket 1/4" Drive 1/4"
GW-1509	6 Point Deep Inch Socket 1/4" Drive 9/32"
GW-1510	6 Point Deep Inch Socket 1/4" Drive 5/16"
GW-1511	6 Point Deep Inch Socket 1/4" Drive 11/32"
GW-1512	6 Point Deep Inch Socket 1/4" Drive 3/8"
GW-1514	6 Point Deep Inch Socket 1/4" Drive 7/16"

Contents	Description
GW-1516	6 Point Deep Inch Socket 1/4" Drive 1/2"
GW-1606	6 Point Standard Inch Socket 1/4" Drive 3/16"
GW-1607	6 Point Standard Inch Socket 1/4" Drive 7/32"
GW-1608	6 Point Standard Inch Socket 1/4" Drive 1/4"
GW-1609	6 Point Standard Inch Socket 1/4" Drive 9/32"
GW-1610	6 Point Standard Inch Socket 1/4" Drive 5/16"
GW-1611	6 Point Standard Inch Socket 1/4" Drive 11/32"
GW-1612	6 Point Standard Inch Socket 1/4" Drive 3/8"
GW-1614	6 Point Standard Inch Socket 1/4" Drive 7/16"
GW-1616	6 Point Standard Inch Socket 1/4" Drive 1/2"
GW-1705	12 Point Standard Inch Socket 1/4" Drive 5/32"
GW-1706	12 Point Standard Inch Socket 1/4" Drive 3/16"
GW-1707	12 Point Standard Inch Socket 1/4" Drive 7/32"
GW-1708	12 Point Standard Inch Socket 1/4" Drive 1/4"
GW-1709	12 Point Standard Inch Socket 1/4" Drive 9/32"
GW-1710	12 Point Standard Inch Socket 1/4" Drive 5/16"
GW-1711	12 Point Standard Inch Socket 1/4" Drive 11/32"
GW-1712	12 Point Standard Inch Socket 1/4" Drive 3/8"
GW-1714	12 Point Standard Inch Socket 1/4" Drive 7/16"
GW-1716	12 Point Standard Inch Socket 1/4" Drive 1/2"
GW-505M	6 Point Deep Metric Socket 1/4" Drive 5 mm
GW-506M	6 Point Deep Metric Socket 1/4" Drive 6 mm
GW-507M	6 Point Deep Metric Socket 1/4" Drive 7 mm
GW-508M	6 Point Deep Metric Socket 1/4" Drive 8 mm
GW-509M	6 Point Deep Metric Socket 1/4" Drive 9 mm
GW-510M	6 Point Deep Metric Socket 1/4" Drive 10 mm
GW-511M	6 Point Deep Metric Socket 1/4" Drive 11 mm
GW-512M	6 Point Deep Metric Socket 1/4" Drive 12 mm
GW-513M	6 Point Deep Metric Socket 1/4" Drive 13 mm
GW-604M	6 Point Standard Metric Socket 1/4" Drive 4 mm
GW-605M	6 Point Standard Metric Socket 1/4" Drive 5 mm
GW-606M	6 Point Standard Metric Socket 1/4" Drive 6 mm
GW-607M	6 Point Standard Metric Socket 1/4" Drive 7 mm
GW-608M	6 Point Standard Metric Socket 1/4" Drive 8 mm
GW-609M	6 Point Standard Metric Socket 1/4" Drive 9 mm
GW-610M	6 Point Standard Metric Socket 1/4" Drive 10 mm
GW-611M	6 Point Standard Metric Socket 1/4" Drive 11 mm
GW-612M	6 Point Standard Metric Socket 1/4" Drive 12 mm
GW-613M	6 Point Standard Metric Socket 1/4" Drive 13 mm
GW-645M	6 Point Standard Metric Socket 1/4" Drive 4.5 mm
GW-655M	6 Point Standard Metric Socket 1/4" Drive 5.5 mm
GW-705M	12 Point Standard Metric Socket 1/4" Drive 5 mm
GW-706M	12 Point Standard Metric Socket 1/4" Drive 6 mm
GW-707M	12 Point Standard Metric Socket 1/4" Drive 7 mm
GW-708M	12 Point Standard Metric Socket 1/4" Drive 8 mm
GW-709M	12 Point Standard Metric Socket 1/4" Drive 9 mm
GW-710M	12 Point Standard Metric Socket 1/4" Drive 10 mm
GW-711M	12 Point Standard Metric Socket 1/4" Drive 11 mm
GW-712M	12 Point Standard Metric Socket 1/4" Drive 12 mm
GW-713M	12 Point Standard Metric Socket 1/4" Drive 13 mm
GW-9898L	1/4" Drive Locking Extension 4"
GW-9899L	1/4" Drive Locking Extension 6"



375 PIECE MASTER TOOL SET, *continued***Item #: 970375**

Contents	Description
HW-1510M	6 Point Deep Metric Socket 3/8" Drive 10 mm
HW-1511M	6 Point Deep Metric Socket 3/8" Drive 11 mm
HW-1512	6 Point Deep Inch Socket 3/8" Drive 3/8"
HW-1512M	6 Point Deep Metric Socket 3/8" Drive 12 mm
HW-1513M	6 Point Deep Metric Socket 3/8" Drive 13 mm
HW-1514	6 Point Deep Inch Socket 3/8" Drive 7/16"
HW-1514M	6 Point Deep Metric Socket 3/8" Drive 14 mm
HW-1515M	6 Point Deep Metric Socket 3/8" Drive 15 mm
HW-1516	6 Point Deep Inch Socket 3/8" Drive 1/2"
HW-1517M	6 Point Deep Metric Socket 3/8" Drive 17 mm
HW-1518	6 Point Deep Inch Socket 3/8" Drive 9/16"
HW-1518M	6 Point Deep Metric Socket 3/8" Drive 18 mm
HW-1519M	6 Point Deep Metric Socket 3/8" Drive 19 mm
HW-1520	6 Point Deep Inch Socket 3/8" Drive 5/8"
HW-1520S	3/8" Drive Spark Plug Socket 5/8"
HW-1522	6 Point Deep Inch Socket 3/8" Drive 11/16"
HW-1524	6 Point Deep Inch Socket 3/8" Drive 3/4"
HW-1526	6 Point Deep Inch Socket 3/8" Drive 13/16"
HW-1526S	Spark Plug Socket 3/8" Drive 13/16"
HW-1528	6 Point Deep Inch Socket 3/8" Drive 7/8"
HW-1607M	12 Point Deep Metric Socket 3/8" Drive 7 mm
HW-1608M	12 Point Deep Metric Socket 3/8" Drive 8 mm
HW-1609M	12 Point Deep Metric Socket 3/8" Drive 9 mm
HW-1610M	12 Point Deep Metric Socket 3/8" Drive 10 mm
HW-1611M	12 Point Deep Metric Socket 3/8" Drive 11 mm
HW-1612M	12 Point Deep Metric Socket 3/8" Drive 12 mm
HW-1613M	12 Point Deep Metric Socket 3/8" Drive 13 mm
HW-1614M	12 Point Deep Metric Socket 3/8" Drive 14 mm
HW-1615M	12 Point Deep Metric Socket 3/8" Drive 15 mm
HW-1616M	12 Point Deep Metric Socket 3/8" Drive 16 mm

Contents	Description
HW-1617M	12 Point Deep Metric Socket 3/8" Drive 17 mm
HW-1618M	12 Point Deep Metric Socket 3/8" Drive 18 mm
HW-1619M	12 Point Deep Metric Socket 3/8" Drive 19 mm
HW-9404M-2	3/8" Drive Hex Bit Socket - 4 mm
HW-9406M-2	3/8" Drive Hex Bit Socket - 6 mm
HW-9407M-2	3/8" Drive Hex Bit Socket - 7 mm
HW-9408M-2	3/8" Drive Hex Bit Socket - 8 mm
HW-9410M-2	3/8" Drive Hex Bit Socket - 10 mm
HW-9442-2	3/8" Drive Hex Bit Socket - 1/8"
HW-9444-2	3/8" Drive Hex Bit Socket - 5/32"
HW-9445-2	3/8" Drive Hex Bit Socket - 3/8"
HW-9446-2	3/8" Drive Hex Bit Socket - 5/16"
HW-9447-2	3/8" Drive Hex Bit Socket - 1/4"
HW-9448-2	3/8" Drive Hex Bit Socket - 7/32"
ST-252C	3/32" Cabinet Screwdriver - 2" Blade
ST-303S	1/8" Slotted Screwdriver - 3" Blade
ST-404S	5/32" Slotted Screwdriver - 4" Blade
ST-555C	3/16" Cabinet Screwdriver - 5" Blade
ST-555S	7/32" Slotted Screwdriver - 5" Blade
ST-656C	1/4" Cabinet Screwdriver - 6" Blade
ST-803	Nut Driver Inch 1/4"
ST-806	Nut Driver Inch 5/16"
ST-807S	5/16" Slotted Screwdriver - 7" Blade
ST-809	Nut Driver Inch 11/32"
ST-812	Nut Driver Inch 3/8"
ST-815	Nut Driver Inch 7/16"
ST-SS1	1/4" Drive Socket Spinner
ZW-53	13 Piece Standard Hex Wrench Set
ZW-59	13 Piece Standard Long Hex Key Wrench Set
ZW-69	9 Piece Metric Hex Key Wrench Set





306 PIECE MASTER TOOL SET

Item #: 970306

- 108 - Sockets & Accessories
- 75 - Miscellaneous Tools
- 7 - Pliers
- 44 - Screwdrivers
- 12 - Striking & Struck
- 60 - Wrenches

- 1/4", 3/8", & 1/2" Drives with Ratchets
- Chrome Sockets Only
- Standard Sizing in Sockets
- Standard & Metric Sizing in Wrenches
- Wrenches: Ignition; Open-Ended; Flare Nut; Combination – Fixed, Locking Flex Ratcheting, Reversible Ratcheting; Ratcheting 4Box™; Adjustable
- Weight (lbs): 62.71



Contents	Description
30012	12 Point Standard Inch Socket 3/8" Drive 3/8"
30014	12 Point Standard Inch Socket 3/8" Drive 7/16"
30016	12 Point Standard Inch Socket 3/8" Drive 1/2"
30018	12 Point Standard Inch Socket 3/8" Drive 9/16"
30020	12 Point Standard Inch Socket 3/8" Drive 5/8"
30022	12 Point Standard Inch Socket 3/8" Drive 11/16"
30024	12 Point Standard Inch Socket 3/8" Drive 3/4"
30026	12 Point Standard Inch Socket 3/8" Drive 13/16"
30028	12 Point Standard Inch Socket 3/8" Drive 7/8"
30412	12 Point Deep Inch Socket 3/8" Drive 3/8"
30414	12 Point Deep Inch Socket 3/8" Drive 7/16"
30416	12 Point Deep Inch Socket 3/8" Drive 1/2"
30418	12 Point Deep Inch Socket 3/8" Drive 9/16"
30420	12 Point Deep Inch Socket 3/8" Drive 5/8"
30422	12 Point Deep Inch Socket 3/8" Drive 11/16"
30424	12 Point Deep Inch Socket 3/8" Drive 3/4"
30426	12 Point Deep Inch Socket 3/8" Drive 13/16"
30612	6 Point Standard Inch Socket 3/8" Drive 3/8"
30614	6 Point Standard Inch Socket 3/8" Drive 7/16"
30616	6 Point Standard Inch Socket 3/8" Drive 1/2"

Contents	Description
30618	6 Point Standard Inch Socket 3/8" Drive 9/16"
30620	6 Point Standard Inch Socket 3/8" Drive 5/8"
30622	6 Point Standard Inch Socket 3/8" Drive 11/16"
30624	6 Point Standard Inch Socket 3/8" Drive 3/4"
30626	6 Point Standard Inch Socket 3/8" Drive 13/16"
30628	6 Point Standard Inch Socket 3/8" Drive 7/8"
30630	6 Point Standard Inch Socket 3/8" Drive 15/16"
30632	6 Point Standard Inch Socket 3/8" Drive 1"
3114	Ignition Open-End Wrench 13/64"
3116	Ignition Open-End Wrench 7/32"
3118	Ignition Open-End Wrench 15/64"
3120	Ignition Open-End Wrench 1/4"
3122	Ignition Open-End Wrench 17/64"
3124	Ignition Open-End Wrench 9/32"
3128	Ignition Open-End Wrench 5/16"
3130	Ignition Open-End Wrench 11/32"
3132	Ignition Open-End Wrench 3/8"
3134	Ignition Open-End Wrench 7/16"
34963	3/8" Drive 3/8" x 1/4" Adapter
34988L	3/8" Drive Locking Extension 3"



306 PIECE MASTER TOOL SET, *continued*

Item #: 970306

Contents	Description
40114	12 Point Standard Inch Socket 1/2" Drive 7/16"
40116	12 Point Standard Inch Socket 1/2" Drive 1/2"
40118	12 Point Standard Inch Socket 1/2" Drive 9/16"
40120	12 Point Standard Inch Socket 1/2" Drive 5/8"
40122	12 Point Standard Inch Socket 1/2" Drive 11/16"
40124	12 Point Standard Inch Socket 1/2" Drive 3/4"
40126	12 Point Standard Inch Socket 1/2" Drive 13/16"
40128	12 Point Standard Inch Socket 1/2" Drive 7/8"
40130	12 Point Standard Inch Socket 1/2" Drive 15/16"
40132	12 Point Standard Inch Socket 1/2" Drive 1"
4020P	Full Polish - Open-End Wrench Inch 1/4" x 5/16"
4033P	Full Polish - Open-End Wrench Inch 15/16" x 1"
40416	6 Point Deep Inch Socket 1/2" Drive 1/2"
40418	6 Point Deep Inch Socket 1/2" Drive 9/16"
40420	6 Point Deep Inch Socket 1/2" Drive 5/8"
40422	6 Point Deep Inch Socket 1/2" Drive 11/16"
40424	6 Point Deep Inch Socket 1/2" Drive 3/4"
40426	6 Point Deep Inch Socket 1/2" Drive 13/16"
40428	6 Point Deep Inch Socket 1/2" Drive 7/8"
40430	6 Point Deep Inch Socket 1/2" Drive 15/16"
40432	6 Point Deep Inch Socket 1/2" Drive 1"
40612	6 Point Standard Inch Socket 1/2" Drive 3/8"
40614	6 Point Standard Inch Socket 1/2" Drive 7/16"
40616	6 Point Standard Inch Socket 1/2" Drive 1/2"
40618	6 Point Standard Inch Socket 1/2" Drive 9/16"
40620	6 Point Standard Inch Socket 1/2" Drive 5/8"
40622	6 Point Standard Inch Socket 1/2" Drive 11/16"
40624	6 Point Standard Inch Socket 1/2" Drive 3/4"
40626	6 Point Standard Inch Socket 1/2" Drive 13/16"
40628	6 Point Standard Inch Socket 1/2" Drive 7/8"
40630	6 Point Standard Inch Socket 1/2" Drive 15/16"
40632	6 Point Standard Inch Socket 1/2" Drive 1"
4723P	Full Polish - Open-End Wrench Inch 3/8" x 7/16"
4724P	Full Polish - Open-End Wrench Inch 7/16" x 1/2"
4725P	Full Polish - Open-End Wrench Inch 1/2" x 9/16"
4727P	Full Polish - Open-End Wrench Inch 5/8" x 11/16"
4728P	Full Polish - Open-End Wrench Inch 11/16" x 3/4"
4732P	Full Polish - Open-End Wrench Inch 13/16" x 7/8"
49966L	1/2" Drive Locking Extension 6"
940-JS	40 Piece Insert Bit Set
AW-1004-2	Adjustable Wrench - 4"
AW-1008-2	Adjustable Wrench - 8"
AW-1010-2	Adjustable Wrench - 10"
BP-1214QR	1/4" Drive Quick-Release Ratchet
BP-1338QR	3/8" Drive Quick-Release Ratchet
BP-1412QR	1/2" Drive Quick-Release Ratchet
BW-1160	Satin Finish Combination Wrench 3/8" - 12 Point
BW-1161	Satin Finish Combination Wrench 7/16" - 12 Point
BW-1162	Satin Finish Combination Wrench 1/2" - 12 Point
BW-1163	Satin Finish Combination Wrench 9/16" - 12 Point
BW-1164	Satin Finish Combination Wrench 5/8" - 12 Point
BW-1165	Satin Finish Combination Wrench 11/16" - 12 Point

Contents	Description
BW-1166	Satin Finish Combination Wrench 3/4" - 12 Point
BW-1167	Satin Finish Combination Wrench 7/8" - 12 Point
BW-1167A	Satin Finish Combination Wrench 13/16" - 12 Point
BW-1168	Satin Finish Combination Wrench 15/16" - 12 Point
BW-1170	Satin Finish Combination Wrench 1" - 12 Point
BW-1171	Satin Finish Combination Wrench 1-1/16" - 12 Point
BW-1172	Satin Finish Combination Wrench 1-1/8" - 12 Point
BW-1173	Satin Finish Combination Wrench 1-1/4" - 12 Point
BW-1340M	4Box™ Ratcheting Wrench - 8, 9, 10, 11mm
BW-1341	4Box™ Ratcheting Wrench - 5/16, 3/8, 7/16, 1/2"
BW-1342M	4Box™ Ratcheting Wrench - 12, 13, 14, 15mm
BW-1343	4Box™ Ratcheting Wrench - 9/16, 5/8, 11/16, 3/4"
BW-1344M	4Box™ Ratcheting Wrench - 16, 17, 18, 19mm
BW-3209L	Locking Flex-Head Ratcheting Wrench 5/16"
BW-3210L	Locking Flex-Head Ratcheting Wrench 3/8"
BW-3212L	Locking Flex-Head Ratcheting Wrench 7/16"
BW-3214L	Locking Flex-Head Ratcheting Wrench 1/2"
BW-3216L	Locking Flex-Head Ratcheting Wrench 9/16"
BW-3218L	Locking Flex-Head Ratcheting Wrench 5/8"
BW-3220L	Locking Flex-Head Ratcheting Wrench 11/16"
BW-3222L	Locking Flex-Head Ratcheting Wrench 3/4"
BWE-1011MP	Full Polish - Open-End Wrench Metric 10 mm x 11 mm
BWE-1213MP	Full Polish - Open-End Wrench Metric 12 mm x 13 mm
BWE-1415MP	Full Polish - Open-End Wrench Metric 14 mm x 15 mm
BWE-1617MP	Full Polish - Open-End Wrench Metric 16 mm x 17 mm
BWE-1819MP	Full Polish - Open-End Wrench Metric 18 mm x 19 mm
BWE-2022MP	Full Polish - Open-End Wrench Metric 20 mm x 22 mm
BWE-67MP	Full Polish - Open-End Wrench Metric 6 mm x 7 mm
BWE-89MP	Full Polish - Open-End Wrench Metric 8 mm x 9 mm
CT-1003	Cold Chisel 5 1/4" Length, 3/8" Edge
CT-1004	Cold Chisel 5 1/2" Length, 7/16" Edge
CT-1006	Cold Chisel 6-1/2" Length, 5/8" Edge
CT-1008	Cold Chisel 7" Length, 3/4" Edge
CT-1010	Cold Chisel 7-1/2" Length, 7/8" Edge
CT-1303	Center Punch 5" Length, 5/32" Point
CT-1306	Center Punch 6" Length, 1/4" Point
CT-1453	Pin Punch 5" Length, 1/8" Point
CT-1454	Pin Punch 5 1/4" Length, 5/32" Point
CT-1456	Pin Punch 5 1/2" Length, 3/16" Point
CT-1464	Pin Punch 7" Length, 1/4" Point
CT-1509	Aligning Punch 11" Length, 1/4" Point
FN-1402P	Flare Nut Wrench - Inch 3/8" x 7/16"
FN-1404P	Flare Nut Wrench - Inch 1/2" x 9/16"
FN-1406P	Flare Nut Wrench - Inch 5/8" x 11/16"
FN-1410P	Flare Nut Wrench - Inch 3/4" x 1"
GW-1508	6 Point Deep Inch Socket 1/4" Drive 1/4"
GW-1509	6 Point Deep Inch Socket 1/4" Drive 9/32"
GW-1510	6 Point Deep Inch Socket 1/4" Drive 5/16"
GW-1511	6 Point Deep Inch Socket 1/4" Drive 11/32"
GW-1512	6 Point Deep Inch Socket 1/4" Drive 3/8"
GW-1514	6 Point Deep Inch Socket 1/4" Drive 7/16"
GW-1516	6 Point Deep Inch Socket 1/4" Drive 1/2"





306 PIECE MASTER TOOL SET, *continued*

Item #: 970306

Contents	Description
GW-1606	6 Point Standard Inch Socket 1/4" Drive 3/16"
GW-1607	6 Point Standard Inch Socket 1/4" Drive 7/32"
GW-1608	6 Point Standard Inch Socket 1/4" Drive 1/4"
GW-1609	6 Point Standard Inch Socket 1/4" Drive 9/32"
GW-1610	6 Point Standard Inch Socket 1/4" Drive 5/16"
GW-1611	6 Point Standard Inch Socket 1/4" Drive 11/32"
GW-1612	6 Point Standard Inch Socket 1/4" Drive 3/8"
GW-1614	6 Point Standard Inch Socket 1/4" Drive 7/16"
GW-1616	6 Point Standard Inch Socket 1/4" Drive 1/2"
GW-1705	12 Point Standard Inch Socket 1/4" Drive 5/32"
GW-1706	12 Point Standard Inch Socket 1/4" Drive 3/16"
GW-1707	12 Point Standard Inch Socket 1/4" Drive 7/32"
GW-1708	12 Point Standard Inch Socket 1/4" Drive 1/4"
GW-1709	12 Point Standard Inch Socket 1/4" Drive 9/32"
GW-1710	12 Point Standard Inch Socket 1/4" Drive 5/16"
GW-1711	12 Point Standard Inch Socket 1/4" Drive 11/32"
GW-1712	12 Point Standard Inch Socket 1/4" Drive 3/8"
GW-1714	12 Point Standard Inch Socket 1/4" Drive 7/16"
GW-1716	12 Point Standard Inch Socket 1/4" Drive 1/2"
GW-9898L	1/4" Drive Locking Extension 4"
GW-9899L	1/4" Drive Locking Extension 6"
HW-1512	6 Point Deep Inch Socket 3/8" Drive 3/8"
HW-1514	6 Point Deep Inch Socket 3/8" Drive 7/16"
HW-1516	6 Point Deep Inch Socket 3/8" Drive 1/2"
HW-1518	6 Point Deep Inch Socket 3/8" Drive 9/16"
HW-1520	6 Point Deep Inch Socket 3/8" Drive 5/8"
HW-1522	6 Point Deep Inch Socket 3/8" Drive 11/16"
HW-1524	6 Point Deep Inch Socket 3/8" Drive 3/4"
HW-1526	6 Point Deep Inch Socket 3/8" Drive 13/16"
HW-1528	6 Point Deep Inch Socket 3/8" Drive 7/8"
HW-9442-2	3/8" Drive Hex Bit Socket - 1/8"
HW-9444-2	3/8" Drive Hex Bit Socket - 5/32"
HW-9445-2	3/8" Drive Hex Bit Socket - 3/8"
HW-9446-2	3/8" Drive Hex Bit Socket - 5/16"
HW-9447-2	3/8" Drive Hex Bit Socket - 1/4"
HW-9448-2	3/8" Drive Hex Bit Socket - 7/32"
PT-1003-2	8" Slip Joint Pliers
PT-1050-2	Wire Stripper
PT-1052-2	6" Diagonal Cutting Pliers
PT-1057-2	7" Diagonal Cutting Pliers - Heavy Duty
PT-1108-2	9" Linemans Pliers
PT-1128-2	6" Needle Nose Cutting Pliers - Heavy Duty
PT-1149-2	6" Curved Needle Nose Pliers
ST-1008SB	3/8" Slotted Screwdriver - 8" Blade
ST-12010SB	1/2" Slotted Screwdriver - 10" Blade
ST-252C	3/32" Cabinet Screwdriver - 2" Blade

Contents	Description
ST-303S	1/8" Slotted Screwdriver - 3" Blade
ST-353C	9/64" Cabinet Screwdriver - 3" Blade
ST-404S	5/32" Slotted Screwdriver - 4" Blade
ST-555C	3/16" Cabinet Screwdriver - 5" Blade
ST-555S	7/32" Slotted Screwdriver - 5" Blade
ST-655S	1/4" Slotted Screwdriver - 5" Blade
ST-656C	1/4" Cabinet Screwdriver - 6" Blade
ST-656SB	1/4" Slotted Screwdriver - 6" Blade
ST-65SH	1/4" Slotted Stubby Screwdriver - 1-1/4" Blade
ST-807S	5/16" Slotted Screwdriver - 7" Blade
ST-PH00-2	#00 Phillips® Screwdriver - 2" Blade
ST-PH0-3	#0 Phillips® Screwdriver - 3" Blade
ST-PH1-4	#1 Phillips® Screwdriver - 4" Blade
ST-PH2-5	#2 Phillips® Screwdriver - 5" Blade
ST-PH2-5B	#2 Phillips® Screwdriver - 5" Blade
ST-PH3-6B	#3 Phillips® Screwdriver - 6" Blade
ST-PH4-8B	#4 Phillips® Screwdriver - 8" Blade
ST-PZ0-3	PZ0 Pozidriv® Screwdriver - 3" Blade
ST-PZ1-4	PZ1 Pozidriv® Screwdriver - 4" Blade
ST-PZ2-5	PZ2 Pozidriv® Screwdriver - 5" Blade
ST-PZ2-5B	PZ2 Pozidriv® Screwdriver - 5" Blade
ST-PZ3-6B	PZ3 Pozidriv® Screwdriver - 6" Blade
ST-PZ4-8B	PZ4 Pozidriv® Screwdriver - 8" Blade
ST-SS1	1/4" Drive Socket Spinner
ST-T10-3	T10 Torx® Screwdriver - 3" Blade
ST-T15-3	T15 Torx® Screwdriver - 3" Blade
ST-T20-4	T20 Torx® Screwdriver - 4" Blade
ST-T25-4	T25 Torx® Screwdriver - 4" Blade
ST-T27-4	T27 Torx® Screwdriver - 4" Blade
ST-T30-5	T30 Torx® Screwdriver - 5" Blade
ST-T40-5	T40 Torx® Screwdriver - 5" Blade
ST-T6-2	T6 Torx® Screwdriver - 2" Blade
ST-T7-2	T7 Torx® Screwdriver - 2" Blade
ST-T8-2	T8 Torx® Screwdriver - 2" Blade
ST-T9-3	T9 Torx® Screwdriver - 3" Blade
ST-TT10-3	T10 Tamper Torx® Screwdriver - 3" Blade
ST-TT15-3	T15 Tamper Torx® Screwdriver - 3" Blade
ST-TT20-4	T20 Tamper Torx® Screwdriver - 4" Blade
ST-TT25-4	T25 Tamper Torx® Screwdriver - 4" Blade
ST-TT27-4	T27 Tamper Torx® Screwdriver - 4" Blade
ST-TT30-5	T30 Tamper Torx® Screwdriver - 5" Blade
ST-TT40-5	T40 Tamper Torx® Screwdriver - 5" Blade
ZW-53	13 Piece Standard Hex Wrench Set
ZW-59	13 Piece Standard Long Hex Key Wrench Set
ZW-69	9 Piece Metric Hex Key Wrench Set

Phillips® is trademark of Phillips Screw Company
 Pozidriv® is trademark of Phillips Screw Company
 Torx® is a trademark of Acument Intellectual Properties, LLC.



270 PIECE MASTER TOOL SET

Item #: 970270

202 - Sockets & Accessories
 35 - Miscellaneous Tools
 5 - Screwdrivers
 28 - Wrenches

- 1/4", 3/8", & 1/2" Drives with Ratchets
- Chrome Sockets Only
- Standard and Metric Sizing
- Wrenches: Ignition; Double Box-End – Reversible Ratcheting
- Weight (lbs): 37.06



Contents	Description
30010A	12 Point Standard Inch Socket 3/8" Drive 5/16"
30012	12 Point Standard Inch Socket 3/8" Drive 3/8"
30014	12 Point Standard Inch Socket 3/8" Drive 7/16"
30016	12 Point Standard Inch Socket 3/8" Drive 1/2"
30018	12 Point Standard Inch Socket 3/8" Drive 9/16"
30020	12 Point Standard Inch Socket 3/8" Drive 5/8"
30022	12 Point Standard Inch Socket 3/8" Drive 11/16"
30024	12 Point Standard Inch Socket 3/8" Drive 3/4"
30026	12 Point Standard Inch Socket 3/8" Drive 13/16"
30412	12 Point Deep Inch Socket 3/8" Drive 3/8"
30414	12 Point Deep Inch Socket 3/8" Drive 7/16"
30416	12 Point Deep Inch Socket 3/8" Drive 1/2"
30418	12 Point Deep Inch Socket 3/8" Drive 9/16"
30420	12 Point Deep Inch Socket 3/8" Drive 5/8"
30422	12 Point Deep Inch Socket 3/8" Drive 11/16"
30424	12 Point Deep Inch Socket 3/8" Drive 3/4"
30426	12 Point Deep Inch Socket 3/8" Drive 13/16"
30428	12 Point Deep Inch Socket 3/8" Drive 7/8"
30430	12 Point Deep Inch Socket 3/8" Drive 15/16"
30432	12 Point Deep Inch Socket 3/8" Drive 1"
31112	8 Point Standard Inch Socket 3/8" Drive 3/8"
31114	8 Point Standard Inch Socket 3/8" Drive 7/16"
3114	Ignition Open-End Wrench 13/64"
3116	Ignition Open-End Wrench 7/32"
3118	Ignition Open-End Wrench 15/64"
3120	Ignition Open-End Wrench 1/4"
3122	Ignition Open-End Wrench 17/64"

Contents	Description
3124	Ignition Open-End Wrench 9/32"
3128	Ignition Open-End Wrench 5/16"
3130	Ignition Open-End Wrench 11/32"
32007M	6 Point Standard Metric Socket 3/8" Drive 7 mm
32008M	6 Point Standard Metric Socket 3/8" Drive 8 mm
32009M	6 Point Standard Metric Socket 3/8" Drive 9 mm
32010M	6 Point Standard Metric Socket 3/8" Drive 10 mm
32011M	6 Point Standard Metric Socket 3/8" Drive 11 mm
32012M	6 Point Standard Metric Socket 3/8" Drive 12 mm
32013M	6 Point Standard Metric Socket 3/8" Drive 13 mm
32014M	6 Point Standard Metric Socket 3/8" Drive 14 mm
32015M	6 Point Standard Metric Socket 3/8" Drive 15 mm
32016M	6 Point Standard Metric Socket 3/8" Drive 16 mm
32017M	6 Point Standard Metric Socket 3/8" Drive 17 mm
32018M	6 Point Standard Metric Socket 3/8" Drive 18 mm
32019M	6 Point Standard Metric Socket 3/8" Drive 19 mm
34007M	12 Point Standard Metric Socket 3/8" Drive 7 mm
34008M	12 Point Standard Metric Socket 3/8" Drive 8 mm
34009M	12 Point Standard Metric Socket 3/8" Drive 9 mm
34010M	12 Point Standard Metric Socket 3/8" Drive 10 mm
34011M	12 Point Standard Metric Socket 3/8" Drive 11 mm
34012M	12 Point Standard Metric Socket 3/8" Drive 12 mm
34013M	12 Point Standard Metric Socket 3/8" Drive 13 mm
34014M	12 Point Standard Metric Socket 3/8" Drive 14 mm
34015M	12 Point Standard Metric Socket 3/8" Drive 15 mm
34016M	12 Point Standard Metric Socket 3/8" Drive 16 mm
34017M	12 Point Standard Metric Socket 3/8" Drive 17 mm



270 PIECE MASTER TOOL SET, *continued*

Item #: 970270

Contents	Description
34018M	12 Point Standard Metric Socket 3/8" Drive 18 mm
34019M	12 Point Standard Metric Socket 3/8" Drive 19 mm
34960	1/4" Drive 1/4" x 3/8" Adapter
34963	3/8" Drive 3/8" x 1/4" Adapter
34966	3/8" Drive 3/8" x 1/2" Adapter
34987L	3/8" Drive Locking Extension 6"
34988L	3/8" Drive Locking Extension 3"
40114	12 Point Standard Inch Socket 1/2" Drive 7/16"
40116	12 Point Standard Inch Socket 1/2" Drive 1/2"
40118	12 Point Standard Inch Socket 1/2" Drive 9/16"
40120	12 Point Standard Inch Socket 1/2" Drive 5/8"
40122	12 Point Standard Inch Socket 1/2" Drive 11/16"
40124	12 Point Standard Inch Socket 1/2" Drive 3/4"
40126	12 Point Standard Inch Socket 1/2" Drive 13/16"
40128	12 Point Standard Inch Socket 1/2" Drive 7/8"
40130	12 Point Standard Inch Socket 1/2" Drive 15/16"
40132	12 Point Standard Inch Socket 1/2" Drive 1"
40320S	6 Point 1/2" Drive Spark Plug Socket 5/8"
40326S	6 Point 1/2" Drive Spark Plug Socket 13/16"
42010M	6 Point Standard Metric Socket 1/2" Drive 10 mm
42011M	6 Point Standard Metric Socket 1/2" Drive 11 mm
42012M	6 Point Standard Metric Socket 1/2" Drive 12 mm
42013M	6 Point Standard Metric Socket 1/2" Drive 13 mm
42014M	6 Point Standard Metric Socket 1/2" Drive 14 mm
42015M	12 Point Standard Metric Socket 1/2" Drive 15 mm
42017M	12 Point Standard Metric Socket 1/2" Drive 17 mm
42019M	12 Point Standard Metric Socket 1/2" Drive 19 mm
42021M	12 Point Standard Metric Socket 1/2" Drive 21 mm
42022M	12 Point Standard Metric Socket 1/2" Drive 22 mm
43010M	12 Point Standard Metric Socket 1/2" Drive 10 mm
43011M	12 Point Standard Metric Socket 1/2" Drive 11 mm
43012M	12 Point Standard Metric Socket 1/2" Drive 12 mm
43013M	12 Point Standard Metric Socket 1/2" Drive 13 mm
43014M	12 Point Standard Metric Socket 1/2" Drive 14 mm
43015M	12 Point Standard Metric Socket 1/2" Drive 15 mm
43017M	6 Point Standard Metric Socket 1/2" Drive 17 mm
43019M	6 Point Standard Metric Socket 1/2" Drive 19 mm
43021M	6 Point Standard Metric Socket 1/2" Drive 21 mm
49964L	1/2" Drive Locking Extension 3"
BP-1214QR	1/4" Drive Quick-Release Ratchet
BP-1338QR	3/8" Drive Quick-Release Ratchet
BP-1412QR	1/2" Drive Quick-Release Ratchet
BW-1410	Reverse Ratcheting Combination Wrench 5/16"
BW-1412	Reverse Ratcheting Combination Wrench 3/8"
BW-1414	Reverse Ratcheting Combination Wrench 7/16"
BW-1416	Reverse Ratcheting Combination Wrench 1/2"
BW-1418	Reverse Ratcheting Combination Wrench 9/16"
BW-1420	Reverse Ratcheting Combination Wrench 5/8"
BW-1422	Reverse Ratcheting Combination Wrench 11/16"
BW-1424	Reverse Ratcheting Combination Wrench 3/4"
BW-1458	Reverse Ratcheting Combination Wrench 8mm
BW-1459	Reverse Ratcheting Combination Wrench 9mm

Contents	Description
BW-1460	Reverse Ratcheting Combination Wrench 10mm
BW-1461	Reverse Ratcheting Combination Wrench 11mm
BW-1462	Reverse Ratcheting Combination Wrench 12mm
BW-1463	Reverse Ratcheting Combination Wrench 13mm
BW-1464	Reverse Ratcheting Combination Wrench 14mm
BW-1465	Reverse Ratcheting Combination Wrench 15mm
BW-1466	Reverse Ratcheting Combination Wrench 16mm
BW-1467	Reverse Ratcheting Combination Wrench 17mm
BW-1468	Reverse Ratcheting Combination Wrench 18mm
BW-1469	Reverse Ratcheting Combination Wrench 19mm
GW-1506	6 Point Deep Inch Socket 1/4" Drive 3/16"
GW-1507	6 Point Deep Inch Socket 1/4" Drive 7/32"
GW-1508	6 Point Deep Inch Socket 1/4" Drive 1/4"
GW-1509	6 Point Deep Inch Socket 1/4" Drive 9/32"
GW-1510	6 Point Deep Inch Socket 1/4" Drive 5/16"
GW-1511	6 Point Deep Inch Socket 1/4" Drive 11/32"
GW-1512	6 Point Deep Inch Socket 1/4" Drive 3/8"
GW-1514	6 Point Deep Inch Socket 1/4" Drive 7/16"
GW-1516	6 Point Deep Inch Socket 1/4" Drive 1/2"
GW-1605	6 Point Standard Inch Socket 1/4" Drive 5/32"
GW-1606	6 Point Standard Inch Socket 1/4" Drive 3/16"
GW-1607	6 Point Standard Inch Socket 1/4" Drive 7/32"
GW-1608	6 Point Standard Inch Socket 1/4" Drive 1/4"
GW-1609	6 Point Standard Inch Socket 1/4" Drive 9/32"
GW-1610	6 Point Standard Inch Socket 1/4" Drive 5/16"
GW-1611	6 Point Standard Inch Socket 1/4" Drive 11/32"
GW-1612	6 Point Standard Inch Socket 1/4" Drive 3/8"
GW-1614	6 Point Standard Inch Socket 1/4" Drive 7/16"
GW-1616	6 Point Standard Inch Socket 1/4" Drive 1/2"
GW-506M	6 Point Deep Metric Socket 1/4" Drive 6 mm
GW-507M	6 Point Deep Metric Socket 1/4" Drive 7 mm
GW-508M	6 Point Deep Metric Socket 1/4" Drive 8 mm
GW-509M	6 Point Deep Metric Socket 1/4" Drive 9 mm
GW-510M	6 Point Deep Metric Socket 1/4" Drive 10 mm
GW-511M	6 Point Deep Metric Socket 1/4" Drive 11 mm
GW-512M	6 Point Deep Metric Socket 1/4" Drive 12 mm
GW-513M	6 Point Deep Metric Socket 1/4" Drive 13 mm
GW-604M	6 Point Standard Metric Socket 1/4" Drive 4 mm
GW-605M	6 Point Standard Metric Socket 1/4" Drive 5 mm
GW-606M	6 Point Standard Metric Socket 1/4" Drive 6 mm
GW-607M	6 Point Standard Metric Socket 1/4" Drive 7 mm
GW-608M	6 Point Standard Metric Socket 1/4" Drive 8 mm
GW-609M	6 Point Standard Metric Socket 1/4" Drive 9 mm
GW-610M	6 Point Standard Metric Socket 1/4" Drive 10 mm
GW-611M	6 Point Standard Metric Socket 1/4" Drive 11 mm
GW-612M	6 Point Standard Metric Socket 1/4" Drive 12 mm
GW-613M	6 Point Standard Metric Socket 1/4" Drive 13 mm
GW-655M	6 Point Standard Metric Socket 1/4" Drive 5.5 mm
GW-9898L	1/4" Drive Locking Extension 4"
GW-9899L	1/4" Drive Locking Extension 6"
HW-1510	6 Point Deep Inch Socket 3/8" Drive 5/16"
HW-1510M	6 Point Deep Metric Socket 3/8" Drive 10 mm



270 PIECE MASTER TOOL SET, *continued*

Item #: 970270

Contents	Description
HW-1511M	6 Point Deep Metric Socket 3/8" Drive 11 mm
HW-1512	6 Point Deep Inch Socket 3/8" Drive 3/8"
HW-1512M	6 Point Deep Metric Socket 3/8" Drive 12 mm
HW-1513M	6 Point Deep Metric Socket 3/8" Drive 13 mm
HW-1514	6 Point Deep Inch Socket 3/8" Drive 7/16"
HW-1514M	6 Point Deep Metric Socket 3/8" Drive 14 mm
HW-1515M	6 Point Deep Metric Socket 3/8" Drive 15 mm
HW-1516	6 Point Deep Inch Socket 3/8" Drive 1/2"
HW-1517M	6 Point Deep Metric Socket 3/8" Drive 17 mm
HW-1518	6 Point Deep Inch Socket 3/8" Drive 9/16"
HW-1518M	6 Point Deep Metric Socket 3/8" Drive 18 mm
HW-1519M	6 Point Deep Metric Socket 3/8" Drive 19 mm
HW-1520	6 Point Deep Inch Socket 3/8" Drive 5/8"
HW-1522	6 Point Deep Inch Socket 3/8" Drive 11/16"
HW-1524	6 Point Deep Inch Socket 3/8" Drive 3/4"
HW-1526	6 Point Deep Inch Socket 3/8" Drive 13/16"
HW-1528	6 Point Deep Inch Socket 3/8" Drive 7/8"
HW-94025M-2	3/8" Drive Hex Bit Socket - 2.5mm
HW-9402M-2	3/8" Drive Hex Bit Socket - 2 mm
HW-9403M-2	3/8" Drive Hex Bit Socket - 3 mm
HW-9404M-2	3/8" Drive Hex Bit Socket - 4 mm
HW-9405M-2	3/8" Drive Hex Bit Socket - 5 mm
HW-9406M-2	3/8" Drive Hex Bit Socket - 6 mm
HW-9407M-2	3/8" Drive Hex Bit Socket - 7 mm
HW-9408M-2	3/8" Drive Hex Bit Socket - 8 mm
HW-9409M-2	3/8" Drive Hex Bit Socket - 9 mm
HW-9410M-2	3/8" Drive Hex Bit Socket - 10 mm
HW-9411M-2	3/8" Drive Hex Bit Socket - 11 mm
HW-9412M-2	3/8" Drive Hex Bit Socket - 12 mm
HW-9438-2	3/8" Drive Hex Bit Socket - 1/16"
HW-9439-2	3/8" Drive Hex Bit Socket - 5/64"
HW-9440-2	3/8" Drive Hex Bit Socket - 3/32"
HW-9441-2	3/8" Drive Hex Bit Socket - 7/64"
HW-9442-2	3/8" Drive Hex Bit Socket - 1/8"
HW-9443-2	3/8" Drive Hex Bit Socket - 9/64"
HW-9444-2	3/8" Drive Hex Bit Socket - 5/32"
HW-9445-2	3/8" Drive Hex Bit Socket - 3/8"
HW-9446-2	3/8" Drive Hex Bit Socket - 5/16"
HW-9447-2	3/8" Drive Hex Bit Socket - 1/4"
HW-9448-2	3/8" Drive Hex Bit Socket - 7/32"

Contents	Description
HW-9449-2	3/8" Drive Hex Bit Socket - 3/16"
ST-803	Nut Driver Inch 1/4"
ST-806	Nut Driver Inch 5/16"
ST-809	Nut Driver Inch 11/32"
ST-812	Nut Driver Inch 3/8"
ST-815	Nut Driver Inch 7/16"
ST-SS1	1/4" Drive Socket Spinner
U-1508-2	3/8" Drive 1/4" Impact Socket - 6 Point
U-1510-2	3/8" Drive 5/16" Impact Socket - 6 Point
U-1512-2	3/8" Drive 3/8" Impact Socket - 6 Point
U-1514-2	3/8" Drive 7/16" Impact Socket - 6 Point
U-1516-2	3/8" Drive 1/2" Impact Socket - 6 Point
U-1518-2	3/8" Drive 9/16" Impact Socket - 6 Point
U-1520-2	3/8" Drive 5/8" Impact Socket - 6 Point
U-1522-2	3/8" Drive 11/16" Impact Socket - 6 Point
U-1524-2	3/8" Drive 3/4" Impact Socket - 6 Point
U-1526-2	3/8" Drive 13/16" Impact Socket - 6 Point
U-1607M-2	3/8" Drive 7mm Deep Impact Socket - 6 Point
U-1608M-2	3/8" Drive 8mm Deep Impact Socket - 6 Point
U-1609M-2	3/8" Drive 9mm Deep Impact Socket - 6 Point
U-1610-2	3/8" Drive 5/16" Deep Impact Socket - 6 Point
U-1610M-2	3/8" Drive 10mm Deep Impact Socket - 6 Point
U-1611M-2	3/8" Drive 11mm Deep Impact Socket - 6 Point
U-1612-2	3/8" Drive 3/8" Deep Impact Socket - 6 Point
U-1612M-2	3/8" Drive 12mm Deep Impact Socket - 6 Point
U-1613M-2	3/8" Drive 13mm Deep Impact Socket - 6 Point
U-1614-2	3/8" Drive 7/16" Deep Impact Socket - 6 Point
U-1614M-2	3/8" Drive 14mm Deep Impact Socket - 6 Point
U-1615M-2	3/8" Drive 15mm Deep Impact Socket - 6 Point
U-1616-2	3/8" Drive 1/2" Deep Impact Socket - 6 Point
U-1616M-2	3/8" Drive 16mm Deep Impact Socket - 6 Point
U-1618-2	3/8" Drive 9/16" Deep Impact Socket - 6 Point
U-1620-2	3/8" Drive 5/8" Deep Impact Socket - 6 Point
U-1622-2	3/8" Drive 11/16" Deep Impact Socket - 6 Point
U-1624-2	3/8" Drive 3/4" Deep Impact Socket - 6 Point
U-1626-2	3/8" Drive 13/16" Deep Impact Socket - 6 Point
U-1628-2	3/8" Drive 7/8" Deep Impact Socket - 6 Point
ZW-53	13 Piece Standard Hex Wrench Set
ZW-59	13 Piece Standard Long Hex Key Wrench Set
ZW-69	9 Piece Metric Hex Key Wrench Set





205 PIECE MASTER TOOL SET

Item #: 970205

- 141 - Sockets & Accessories
- 40 - Miscellaneous Tools
- 5 - Pliers
- 19 - Wrenches

- 1/4", 3/8", & 1/2" Drives with Ratchets
- Chrome Sockets Only
- Standard and Metric Sizing
- Wrenches: XL Combination Ratcheting; Adjustable
- Weight (lbs): 29.79



Contents	Description
30012	12 Point Standard Inch Socket 3/8" Drive 3/8"
30014	12 Point Standard Inch Socket 3/8" Drive 7/16"
30016	12 Point Standard Inch Socket 3/8" Drive 1/2"
30018	12 Point Standard Inch Socket 3/8" Drive 9/16"
30020	12 Point Standard Inch Socket 3/8" Drive 5/8"
30022	12 Point Standard Inch Socket 3/8" Drive 11/16"
30024	12 Point Standard Inch Socket 3/8" Drive 3/4"
30026	12 Point Standard Inch Socket 3/8" Drive 13/16"
30028	12 Point Standard Inch Socket 3/8" Drive 7/8"
300301	12 Point Standard Inch Socket 3/8" Drive 15/16"
30412	12 Point Deep Inch Socket 3/8" Drive 3/8"

Contents	Description
30414	12 Point Deep Inch Socket 3/8" Drive 7/16"
30416	12 Point Deep Inch Socket 3/8" Drive 1/2"
30418	12 Point Deep Inch Socket 3/8" Drive 9/16"
30420	12 Point Deep Inch Socket 3/8" Drive 5/8"
30422	12 Point Deep Inch Socket 3/8" Drive 11/16"
30424	12 Point Deep Inch Socket 3/8" Drive 3/4"
30426	12 Point Deep Inch Socket 3/8" Drive 13/16"
31110	8 Point Standard Inch Socket 3/8" Drive 5/16"
31112	8 Point Standard Inch Socket 3/8" Drive 3/8"
31114	8 Point Standard Inch Socket 3/8" Drive 7/16"
32008M	6 Point Standard Metric Socket 3/8" Drive 8 mm



205 PIECE MASTER TOOL SET, *continued***Item #: 970205**

Contents	Description
32009M	6 Point Standard Metric Socket 3/8" Drive 9 mm
32010M	6 Point Standard Metric Socket 3/8" Drive 10 mm
32011M	6 Point Standard Metric Socket 3/8" Drive 11 mm
32012M	6 Point Standard Metric Socket 3/8" Drive 12 mm
32013M	6 Point Standard Metric Socket 3/8" Drive 13 mm
32014M	6 Point Standard Metric Socket 3/8" Drive 14 mm
32015M	6 Point Standard Metric Socket 3/8" Drive 15 mm
32016M	6 Point Standard Metric Socket 3/8" Drive 16 mm
32017M	6 Point Standard Metric Socket 3/8" Drive 17 mm
32018M	6 Point Standard Metric Socket 3/8" Drive 18 mm
32019M	6 Point Standard Metric Socket 3/8" Drive 19 mm
34008M	12 Point Standard Metric Socket 3/8" Drive 8 mm
34009M	12 Point Standard Metric Socket 3/8" Drive 9 mm
34010M	12 Point Standard Metric Socket 3/8" Drive 10 mm
34011M	12 Point Standard Metric Socket 3/8" Drive 11 mm
34012M	12 Point Standard Metric Socket 3/8" Drive 12 mm
34013M	12 Point Standard Metric Socket 3/8" Drive 13 mm
34014M	12 Point Standard Metric Socket 3/8" Drive 14 mm
34015M	12 Point Standard Metric Socket 3/8" Drive 15 mm
34016M	12 Point Standard Metric Socket 3/8" Drive 16 mm
34017M	12 Point Standard Metric Socket 3/8" Drive 17 mm
34018M	12 Point Standard Metric Socket 3/8" Drive 18 mm
34019M	12 Point Standard Metric Socket 3/8" Drive 19 mm
34984L	3/8" Drive Locking Extension 10"
34987L	3/8" Drive Locking Extension 6"
34988L	3/8" Drive Locking Extension 3"
40116	12 Point Standard Inch Socket 1/2" Drive 1/2"
40118	12 Point Standard Inch Socket 1/2" Drive 9/16"
40120	12 Point Standard Inch Socket 1/2" Drive 5/8"
40122	12 Point Standard Inch Socket 1/2" Drive 11/16"
40124	12 Point Standard Inch Socket 1/2" Drive 3/4"
40126	12 Point Standard Inch Socket 1/2" Drive 13/16"
40128	12 Point Standard Inch Socket 1/2" Drive 7/8"
40130	12 Point Standard Inch Socket 1/2" Drive 15/16"
40132	12 Point Standard Inch Socket 1/2" Drive 1"
40134	12 Point Standard Inch Socket 1/2" Drive 1-1/16"
40136	12 Point Standard Inch Socket 1/2" Drive 1-1/8"
40140	12 Point Standard Inch Socket 1/2" Drive 1-1/4"
40316	12 Point Deep Inch Socket 1/2" Drive 1/2"
40318	12 Point Deep Inch Socket 1/2" Drive 9/16"
40320	12 Point Deep Inch Socket 1/2" Drive 5/8"
40322	12 Point Deep Inch Socket 1/2" Drive 11/16"
40324	12 Point Deep Inch Socket 1/2" Drive 3/4"
40326	12 Point Deep Inch Socket 1/2" Drive 13/16"
43013M	12 Point Standard Metric Socket 1/2" Drive 13 mm
43014M	12 Point Standard Metric Socket 1/2" Drive 14 mm
43015M	12 Point Standard Metric Socket 1/2" Drive 15 mm
43017M	6 Point Standard Metric Socket 1/2" Drive 17 mm
43019M	6 Point Standard Metric Socket 1/2" Drive 19 mm
43021M	6 Point Standard Metric Socket 1/2" Drive 21 mm
43022M	6 Point Standard Metric Socket 1/2" Drive 22 mm
43024M	6 Point Standard Metric Socket 1/2" Drive 24 mm

Contents	Description
43027M	6 Point Standard Metric Socket 1/2" Drive 27 mm
49966L	1/2" Drive Locking Extension 6"
49990L	1/2" Drive Locking Extension 10"
940-JS	40 Piece Insert Bit Set
AW-1008-2	Adjustable Wrench - 8"
BP-1214QR	1/4" Drive Quick-Release Ratchet
BP-1338QR	3/8" Drive Quick-Release Ratchet
BP-1412QR	1/2" Drive Quick-Release Ratchet
BW-1306	XL Combination Ratcheting Wrench - 5/16"
BW-1308	XL Combination Ratcheting Wrench - 11/32"
BW-1308M	XL Combination Ratcheting Wrench - 8mm
BW-1309M	XL Combination Ratcheting Wrench - 9mm
BW-1310	XL Combination Ratcheting Wrench - 3/8"
BW-1310M	XL Combination Ratcheting Wrench - 10mm
BW-1311M	XL Combination Ratcheting Wrench - 11mm
BW-1312	XL Combination Ratcheting Wrench - 7/16"
BW-1312M	XL Combination Ratcheting Wrench - 12mm
BW-1313M	XL Combination Ratcheting Wrench - 13mm
BW-1314	XL Combination Ratcheting Wrench - 1/2"
BW-1314M	XL Combination Ratcheting Wrench - 14mm
BW-1315M	XL Combination Ratcheting Wrench - 15mm
BW-1316	XL Combination Ratcheting Wrench - 9/16"
BW-1316M	XL Combination Ratcheting Wrench - 16mm
BW-1318	XL Combination Ratcheting Wrench - 5/8"
BW-1320	XL Combination Ratcheting Wrench - 11/16"
BW-1322	XL Combination Ratcheting Wrench - 3/4"
GW-1506	6 Point Deep Inch Socket 1/4" Drive 3/16"
GW-1507	6 Point Deep Inch Socket 1/4" Drive 7/32"
GW-1508	6 Point Deep Inch Socket 1/4" Drive 1/4"
GW-1509	6 Point Deep Inch Socket 1/4" Drive 9/32"
GW-1510	6 Point Deep Inch Socket 1/4" Drive 5/16"
GW-1511	6 Point Deep Inch Socket 1/4" Drive 11/32"
GW-1512	6 Point Deep Inch Socket 1/4" Drive 3/8"
GW-1514	6 Point Deep Inch Socket 1/4" Drive 7/16"
GW-1516	6 Point Deep Inch Socket 1/4" Drive 1/2"
GW-1606	6 Point Standard Inch Socket 1/4" Drive 3/16"
GW-1607	6 Point Standard Inch Socket 1/4" Drive 7/32"
GW-1608	6 Point Standard Inch Socket 1/4" Drive 1/4"
GW-1609	6 Point Standard Inch Socket 1/4" Drive 9/32"
GW-1610	6 Point Standard Inch Socket 1/4" Drive 5/16"
GW-1611	6 Point Standard Inch Socket 1/4" Drive 11/32"
GW-1612	6 Point Standard Inch Socket 1/4" Drive 3/8"
GW-1614	6 Point Standard Inch Socket 1/4" Drive 7/16"
GW-1616	6 Point Standard Inch Socket 1/4" Drive 1/2"
GW-504M	6 Point Deep Metric Socket 1/4" Drive 4 mm
GW-505M	6 Point Deep Metric Socket 1/4" Drive 5 mm
GW-506M	6 Point Deep Metric Socket 1/4" Drive 6 mm
GW-507M	6 Point Deep Metric Socket 1/4" Drive 7 mm
GW-508M	6 Point Deep Metric Socket 1/4" Drive 8 mm
GW-509M	6 Point Deep Metric Socket 1/4" Drive 9 mm
GW-510M	6 Point Deep Metric Socket 1/4" Drive 10 mm
GW-513M	6 Point Deep Metric Socket 1/4" Drive 13 mm





205 PIECE MASTER TOOL SET, *continued*

Item #: 970205

Contents	Description
GW-604M	6 Point Standard Metric Socket 1/4" Drive 4 mm
GW-605M	6 Point Standard Metric Socket 1/4" Drive 5 mm
GW-606M	6 Point Standard Metric Socket 1/4" Drive 6 mm
GW-607M	6 Point Standard Metric Socket 1/4" Drive 7 mm
GW-608M	6 Point Standard Metric Socket 1/4" Drive 8 mm
GW-609M	6 Point Standard Metric Socket 1/4" Drive 9 mm
GW-610M	6 Point Standard Metric Socket 1/4" Drive 10 mm
GW-611M	6 Point Standard Metric Socket 1/4" Drive 11 mm
GW-612M	6 Point Standard Metric Socket 1/4" Drive 12 mm
GW-613M	6 Point Standard Metric Socket 1/4" Drive 13 mm
GW-655M	6 Point Standard Metric Socket 1/4" Drive 5.5 mm
GW-9898L	1/4" Drive Locking Extension 4"
GW-9899L	1/4" Drive Locking Extension 6"
HW-1510	6 Point Deep Inch Socket 3/8" Drive 5/16"
HW-1510M	6 Point Deep Metric Socket 3/8" Drive 10 mm
HW-1511M	6 Point Deep Metric Socket 3/8" Drive 11 mm
HW-1512	6 Point Deep Inch Socket 3/8" Drive 3/8"
HW-1512M	6 Point Deep Metric Socket 3/8" Drive 12 mm
HW-1513M	6 Point Deep Metric Socket 3/8" Drive 13 mm
HW-1514	6 Point Deep Inch Socket 3/8" Drive 7/16"

Contents	Description
HW-1514M	6 Point Deep Metric Socket 3/8" Drive 14 mm
HW-1515M	6 Point Deep Metric Socket 3/8" Drive 15 mm
HW-1516	6 Point Deep Inch Socket 3/8" Drive 1/2"
HW-1517M	6 Point Deep Metric Socket 3/8" Drive 17 mm
HW-1518	6 Point Deep Inch Socket 3/8" Drive 9/16"
HW-1518M	6 Point Deep Metric Socket 3/8" Drive 18 mm
HW-1519M	6 Point Deep Metric Socket 3/8" Drive 19 mm
HW-1520	6 Point Deep Inch Socket 3/8" Drive 5/8"
HW-1520S	3/8" Drive Spark Plug Socket 5/8"
HW-1522	6 Point Deep Inch Socket 3/8" Drive 11/16"
HW-1524	6 Point Deep Inch Socket 3/8" Drive 3/4"
HW-1526	6 Point Deep Inch Socket 3/8" Drive 13/16"
HW-1526S	Spark Plug Socket 3/8" Drive 13/16"
HW-1528	6 Point Deep Inch Socket 3/8" Drive 7/8"
PT-1003-2	8" Slip Joint Pliers
PT-1052-2	6" Diagonal Cutting Pliers
PT-1108-2	9" Linemans Pliers
PT-1128-2	6" Needle Nose Cutting Pliers - Heavy Duty
PT-1250-2	10" Rib Lock Pliers
ST-SS1	1/4" Drive Socket Spinner



175 PIECE MASTER TOOL SET

Item #: 970175

175 - Sockets & Accessories

- 1/4", 3/8", & 1/2" Drives with Ratchets
- Chrome and Impact Sockets
- Standard and Metric Sizing
- Socket & Ratchet Only Set
- Weight (lbs): 35.49



Contents	Description
30012	12 Point Standard Inch Socket 3/8" Drive 3/8"
30014	12 Point Standard Inch Socket 3/8" Drive 7/16"
30016	12 Point Standard Inch Socket 3/8" Drive 1/2"
30018	12 Point Standard Inch Socket 3/8" Drive 9/16"
30020	12 Point Standard Inch Socket 3/8" Drive 5/8"
30022	12 Point Standard Inch Socket 3/8" Drive 11/16"
30024	12 Point Standard Inch Socket 3/8" Drive 3/4"
30026	12 Point Standard Inch Socket 3/8" Drive 13/16"
30412	12 Point Deep Inch Socket 3/8" Drive 3/8"
30414	12 Point Deep Inch Socket 3/8" Drive 7/16"
30416	12 Point Deep Inch Socket 3/8" Drive 1/2"
30418	12 Point Deep Inch Socket 3/8" Drive 9/16"
30420	12 Point Deep Inch Socket 3/8" Drive 5/8"
30422	12 Point Deep Inch Socket 3/8" Drive 11/16"
30424	12 Point Deep Inch Socket 3/8" Drive 3/4"
30426	12 Point Deep Inch Socket 3/8" Drive 13/16"
30612	6 Point Standard Inch Socket 3/8" Drive 3/8"

Contents	Description
30614	6 Point Standard Inch Socket 3/8" Drive 7/16"
30616	6 Point Standard Inch Socket 3/8" Drive 1/2"
30618	6 Point Standard Inch Socket 3/8" Drive 9/16"
30620	6 Point Standard Inch Socket 3/8" Drive 5/8"
30622	6 Point Standard Inch Socket 3/8" Drive 11/16"
30624	6 Point Standard Inch Socket 3/8" Drive 3/4"
30626	6 Point Standard Inch Socket 3/8" Drive 13/16"
31108	8 Point Standard Inch Socket 3/8" Drive 1/4"
31110	8 Point Standard Inch Socket 3/8" Drive 5/16"
31112	8 Point Standard Inch Socket 3/8" Drive 3/8"
34009M	12 Point Standard Metric Socket 3/8" Drive 9 mm
34010M	12 Point Standard Metric Socket 3/8" Drive 10 mm
34011M	12 Point Standard Metric Socket 3/8" Drive 11 mm
34012M	12 Point Standard Metric Socket 3/8" Drive 12 mm
34013M	12 Point Standard Metric Socket 3/8" Drive 13 mm
34014M	12 Point Standard Metric Socket 3/8" Drive 14 mm
34015M	12 Point Standard Metric Socket 3/8" Drive 15 mm





175 PIECE MASTER TOOL SET, *continued*

Item #: 970175

Contents	Description
34016M	12 Point Standard Metric Socket 3/8" Drive 16 mm
34017M	12 Point Standard Metric Socket 3/8" Drive 17 mm
34018M	12 Point Standard Metric Socket 3/8" Drive 18 mm
34960	1/4" Drive 1/4" x 3/8" Adapter
34984L	3/8" Drive Locking Extension 10"
34987L	3/8" Drive Locking Extension 6"
34988L	3/8" Drive Locking Extension 3"
40120	12 Point Standard Inch Socket 1/2" Drive 5/8"
40124	12 Point Standard Inch Socket 1/2" Drive 3/4"
40126	12 Point Standard Inch Socket 1/2" Drive 13/16"
40128	12 Point Standard Inch Socket 1/2" Drive 7/8"
40130	12 Point Standard Inch Socket 1/2" Drive 15/16"
42019M	12 Point Standard Metric Socket 1/2" Drive 19 mm
42020M	12 Point Standard Metric Socket 1/2" Drive 20 mm
42021M	12 Point Standard Metric Socket 1/2" Drive 21 mm
42022M	12 Point Standard Metric Socket 1/2" Drive 22 mm
42023M	12 Point Standard Metric Socket 1/2" Drive 23 mm
42024M	12 Point Standard Metric Socket 1/2" Drive 24 mm
BP-1214QR	1/4" Drive Quick-Release Ratchet
BP-1338QR	3/8" Drive Quick-Release Ratchet
BP-1412QR	1/2" Drive Quick-Release Ratchet
GW-1506	6 Point Deep Inch Socket 1/4" Drive 3/16"
GW-1507	6 Point Deep Inch Socket 1/4" Drive 7/32"
GW-1508	6 Point Deep Inch Socket 1/4" Drive 1/4"
GW-1509	6 Point Deep Inch Socket 1/4" Drive 9/32"
GW-1510	6 Point Deep Inch Socket 1/4" Drive 5/16"
GW-1511	6 Point Deep Inch Socket 1/4" Drive 11/32"
GW-1512	6 Point Deep Inch Socket 1/4" Drive 3/8"
GW-1514	6 Point Deep Inch Socket 1/4" Drive 7/16"
GW-1516	6 Point Deep Inch Socket 1/4" Drive 1/2"
GW-1605	6 Point Standard Inch Socket 1/4" Drive 5/32"
GW-1606	6 Point Standard Inch Socket 1/4" Drive 3/16"
GW-1607	6 Point Standard Inch Socket 1/4" Drive 7/32"
GW-1608	6 Point Standard Inch Socket 1/4" Drive 1/4"
GW-1609	6 Point Standard Inch Socket 1/4" Drive 9/32"
GW-1610	6 Point Standard Inch Socket 1/4" Drive 5/16"
GW-1611	6 Point Standard Inch Socket 1/4" Drive 11/32"
GW-1612	6 Point Standard Inch Socket 1/4" Drive 3/8"
GW-1614	6 Point Standard Inch Socket 1/4" Drive 7/16"
GW-1616	6 Point Standard Inch Socket 1/4" Drive 1/2"
GW-504M	6 Point Deep Metric Socket 1/4" Drive 4 mm
GW-505M	6 Point Deep Metric Socket 1/4" Drive 5 mm
GW-506M	6 Point Deep Metric Socket 1/4" Drive 6 mm
GW-507M	6 Point Deep Metric Socket 1/4" Drive 7 mm
GW-508M	6 Point Deep Metric Socket 1/4" Drive 8 mm
GW-509M	6 Point Deep Metric Socket 1/4" Drive 9 mm
GW-510M	6 Point Deep Metric Socket 1/4" Drive 10 mm
GW-513M	6 Point Deep Metric Socket 1/4" Drive 13 mm
GW-604M	6 Point Standard Metric Socket 1/4" Drive 4 mm
GW-605M	6 Point Standard Metric Socket 1/4" Drive 5 mm
GW-606M	6 Point Standard Metric Socket 1/4" Drive 6 mm
GW-607M	6 Point Standard Metric Socket 1/4" Drive 7 mm

Contents	Description
GW-608M	6 Point Standard Metric Socket 1/4" Drive 8 mm
GW-609M	6 Point Standard Metric Socket 1/4" Drive 9 mm
GW-610M	6 Point Standard Metric Socket 1/4" Drive 10 mm
GW-611M	6 Point Standard Metric Socket 1/4" Drive 11 mm
GW-612M	6 Point Standard Metric Socket 1/4" Drive 12 mm
GW-613M	6 Point Standard Metric Socket 1/4" Drive 13 mm
GW-9898L	1/4" Drive Locking Extension 4"
GW-9899L	1/4" Drive Locking Extension 6"
HW-1609M	12 Point Deep Metric Socket 3/8" Drive 9 mm
HW-1610M	12 Point Deep Metric Socket 3/8" Drive 10 mm
HW-1611M	12 Point Deep Metric Socket 3/8" Drive 11 mm
HW-1612M	12 Point Deep Metric Socket 3/8" Drive 12 mm
HW-1613M	12 Point Deep Metric Socket 3/8" Drive 13 mm
HW-1614M	12 Point Deep Metric Socket 3/8" Drive 14 mm
HW-1615M	12 Point Deep Metric Socket 3/8" Drive 15 mm
HW-1616M	12 Point Deep Metric Socket 3/8" Drive 16 mm
HW-94025M-2	3/8" Drive Hex Bit Socket - 2.5mm
HW-9402M-2	3/8" Drive Hex Bit Socket - 2 mm
HW-9403M-2	3/8" Drive Hex Bit Socket - 3 mm
HW-9404M-2	3/8" Drive Hex Bit Socket - 4 mm
HW-9405M-2	3/8" Drive Hex Bit Socket - 5 mm
HW-9406M-2	3/8" Drive Hex Bit Socket - 6 mm
HW-9407M-2	3/8" Drive Hex Bit Socket - 7 mm
HW-9408M-2	3/8" Drive Hex Bit Socket - 8 mm
HW-9409M-2	3/8" Drive Hex Bit Socket - 9 mm
HW-9410M-2	3/8" Drive Hex Bit Socket - 10 mm
HW-9411M-2	3/8" Drive Hex Bit Socket - 11 mm
HW-9412M-2	3/8" Drive Hex Bit Socket - 12 mm
HW-9438-2	3/8" Drive Hex Bit Socket - 1/16"
HW-9439-2	3/8" Drive Hex Bit Socket - 5/64"
HW-9440-2	3/8" Drive Hex Bit Socket - 3/32"
HW-9441-2	3/8" Drive Hex Bit Socket - 7/64"
HW-9442-2	3/8" Drive Hex Bit Socket - 1/8"
HW-9443-2	3/8" Drive Hex Bit Socket - 9/64"
HW-9444-2	3/8" Drive Hex Bit Socket - 5/32"
HW-9445-2	3/8" Drive Hex Bit Socket - 3/8"
HW-9446-2	3/8" Drive Hex Bit Socket - 5/16"
HW-9447-2	3/8" Drive Hex Bit Socket - 1/4"
HW-9448-2	3/8" Drive Hex Bit Socket - 7/32"
HW-9449-2	3/8" Drive Hex Bit Socket - 3/16"
ST-SS1	1/4" Drive Socket Spinner
UW-1512-2	1/2" Drive 3/8" Deep Impact Socket - 6 Point
UW-1514-2	1/2" Drive 7/16" Deep Impact Socket - 6 Point
UW-1516-2	1/2" Drive 1/2" Deep Impact Socket - 6 Point
UW-1518-2	1/2" Drive 9/16" Deep Impact Socket - 6 Point
UW-1520-2	1/2" Drive 5/8" Deep Impact Socket - 6 Point
UW-1522-2	1/2" Drive 11/16" Deep Impact Socket - 6 Point
UW-1524-2	1/2" Drive 3/4" Deep Impact Socket - 6 Point
UW-1526-2	1/2" Drive 13/16" Deep Impact Socket - 6 Point
UW-1528-2	1/2" Drive 7/8" Deep Impact Socket - 6 Point
UW-1530-2	1/2" Drive 15/16" Deep Impact Socket - 6 Point
UW-1532-2	1/2" Drive 1" Deep Impact Socket - 6 Point



175 PIECE MASTER TOOL SET, *continued*

Item #: 970175

Contents	Description
UW-1534-2	1/2" Drive 1-1/16" Deep Impact Socket - 6 Point
UW-1536-2	1/2" Drive 1-1/8" Deep Impact Socket - 6 Point
UW-1612-2	1/2" Drive 3/8" Impact Socket - 6 Point
UW-1614-2	1/2" Drive 7/16" Impact Socket - 6 Point
UW-1616-2	1/2" Drive 1/2" Impact Socket - 6 Point
UW-1618-2	1/2" Drive 9/16" Impact Socket - 6 Point
UW-1620-2	1/2" Drive 5/8" Impact Socket - 6 Point
UW-1622-2	1/2" Drive 11/16" Impact Socket - 6 Point
UW-1624-2	1/2" Drive 3/4" Impact Socket - 6 Point
UW-1626-2	1/2" Drive 13/16" Impact Socket - 6 Point
UW-1628-2	1/2" Drive 7/8" Impact Socket - 6 Point
UW-1630-2	1/2" Drive 15/16" Impact Socket - 6 Point
UW-1632-2	1/2" Drive 1" Impact Socket - 6 Point
UW-1634-2	1/2" Drive 1-1/16" Impact Socket - 6 Point
UW-1636-2	1/2" Drive 1-1/8" Impact Socket - 6 Point
UW-1638-2	1/2" Drive 1-3/16" Impact Socket - 6 Point
UW-1640-2	1/2" Drive 1-1/4" Impact Socket - 6 Point
UW-510M-2	1/2" Drive 10mm Deep Impact Socket - 6 Point
UW-511M-2	1/2" Drive 11mm Deep Impact Socket - 6 Point

Contents	Description
UW-512M-2	1/2" Drive 12mm Deep Impact Socket - 6 Point
UW-513M-2	1/2" Drive 13mm Deep Impact Socket - 6 Point
UW-514M-2	1/2" Drive 14mm Deep Impact Socket - 6 Point
UW-515M-2	1/2" Drive 15mm Deep Impact Socket - 6 Point
UW-516M-2	1/2" Drive 16mm Deep Impact Socket - 6 Point
UW-517M-2	1/2" Drive 17mm Deep Impact Socket - 6 Point
UW-518M-2	1/2" Drive 18mm Deep Impact Socket - 6 Point
UW-519M-2	1/2" Drive 19mm Deep Impact Socket - 6 Point
UW-520M-2	1/2" Drive 20mm Deep Impact Socket - 6 Point
UW-610M-2	1/2" Drive 10mm Impact Socket - 6 Point
UW-611M-2	1/2" Drive 11mm Impact Socket - 6 Point
UW-612M-2	1/2" Drive 12mm Impact Socket - 6 Point
UW-613M-2	1/2" Drive 13mm Impact Socket - 6 Point
UW-614M-2	1/2" Drive 14mm Impact Socket - 6 Point
UW-615M-2	1/2" Drive 15mm Impact Socket - 6 Point
UW-616M-2	1/2" Drive 16mm Impact Socket - 6 Point
UW-617M-2	1/2" Drive 17mm Impact Socket - 6 Point
UW-620M-2	1/2" Drive 20mm Impact Socket - 6 Point





150 PIECE MASTER TOOL SET

Item #: 970150

- 101 - Sockets & Accessories
- 40 - Miscellaneous Tools
- 6 - Screwdrivers
- 3 - Wrenches

- 1/4", 3/8", & 1/2" Drives with Ratchets
- Chrome Sockets Only
- Standard and Metric Sizing
- Wrenches: Adjustable
- Weight (lbs): 16.87



Contents	Description
30012	12 Point Standard Inch Socket 3/8" Drive 3/8"
30014	12 Point Standard Inch Socket 3/8" Drive 7/16"
30016	12 Point Standard Inch Socket 3/8" Drive 1/2"
30018	12 Point Standard Inch Socket 3/8" Drive 9/16"
30020	12 Point Standard Inch Socket 3/8" Drive 5/8"
30022	12 Point Standard Inch Socket 3/8" Drive 11/16"
30024	12 Point Standard Inch Socket 3/8" Drive 3/4"
30026	12 Point Standard Inch Socket 3/8" Drive 13/16"
30412	12 Point Deep Inch Socket 3/8" Drive 3/8"
30414	12 Point Deep Inch Socket 3/8" Drive 7/16"
30416	12 Point Deep Inch Socket 3/8" Drive 1/2"
30418	12 Point Deep Inch Socket 3/8" Drive 9/16"
30420	12 Point Deep Inch Socket 3/8" Drive 5/8"
30422	12 Point Deep Inch Socket 3/8" Drive 11/16"
30424	12 Point Deep Inch Socket 3/8" Drive 3/4"
30426	12 Point Deep Inch Socket 3/8" Drive 13/16"
30612	6 Point Standard Inch Socket 3/8" Drive 3/8"
30614	6 Point Standard Inch Socket 3/8" Drive 7/16"
30616	6 Point Standard Inch Socket 3/8" Drive 1/2"
30618	6 Point Standard Inch Socket 3/8" Drive 9/16"
30620	6 Point Standard Inch Socket 3/8" Drive 5/8"
30622	6 Point Standard Inch Socket 3/8" Drive 11/16"
30624	6 Point Standard Inch Socket 3/8" Drive 3/4"
30626	6 Point Standard Inch Socket 3/8" Drive 13/16"

Contents	Description
31108	8 Point Standard Inch Socket 3/8" Drive 1/4"
31110	8 Point Standard Inch Socket 3/8" Drive 5/16"
31112	8 Point Standard Inch Socket 3/8" Drive 3/8"
34009M	12 Point Standard Metric Socket 3/8" Drive 9 mm
34010M	12 Point Standard Metric Socket 3/8" Drive 10 mm
34011M	12 Point Standard Metric Socket 3/8" Drive 11 mm
34012M	12 Point Standard Metric Socket 3/8" Drive 12 mm
34013M	12 Point Standard Metric Socket 3/8" Drive 13 mm
34014M	12 Point Standard Metric Socket 3/8" Drive 14 mm
34015M	12 Point Standard Metric Socket 3/8" Drive 15 mm
34016M	12 Point Standard Metric Socket 3/8" Drive 16 mm
34017M	12 Point Standard Metric Socket 3/8" Drive 17 mm
34018M	12 Point Standard Metric Socket 3/8" Drive 18 mm
34960	1/4" Drive 1/4" x 3/8" Adapter
34988L	3/8" Drive Locking Extension 3"
40120	12 Point Standard Inch Socket 1/2" Drive 5/8"
40124	12 Point Standard Inch Socket 1/2" Drive 3/4"
40126	12 Point Standard Inch Socket 1/2" Drive 13/16"
40128	12 Point Standard Inch Socket 1/2" Drive 7/8"
40130	12 Point Standard Inch Socket 1/2" Drive 15/16"
42019M	12 Point Standard Metric Socket 1/2" Drive 19 mm
42020M	12 Point Standard Metric Socket 1/2" Drive 20 mm
42021M	12 Point Standard Metric Socket 1/2" Drive 21 mm
42022M	12 Point Standard Metric Socket 1/2" Drive 22 mm



150 PIECE MASTER TOOL SET, *continued***Item #: 970150**

Contents	Description
42023M	12 Point Standard Metric Socket 1/2" Drive 23 mm
42024M	12 Point Standard Metric Socket 1/2" Drive 24 mm
940-JS	40 Piece Insert Bit Set
AW-1004-2	Adjustable Wrench - 4"
AW-1008-2	Adjustable Wrench - 8"
AW-1012-2	Adjustable Wrench - 12"
BP-1214	1/4" Drive Pear Head Ratchet
BP-1338	3/8" Drive Pear Head Ratchet
BP-1412	1/2" Drive Pear Head Ratchet
GW-1506	6 Point Deep Inch Socket 1/4" Drive 3/16"
GW-1507	6 Point Deep Inch Socket 1/4" Drive 7/32"
GW-1508	6 Point Deep Inch Socket 1/4" Drive 1/4"
GW-1509	6 Point Deep Inch Socket 1/4" Drive 9/32"
GW-1510	6 Point Deep Inch Socket 1/4" Drive 5/16"
GW-1511	6 Point Deep Inch Socket 1/4" Drive 11/32"
GW-1512	6 Point Deep Inch Socket 1/4" Drive 3/8"
GW-1514	6 Point Deep Inch Socket 1/4" Drive 7/16"
GW-1516	6 Point Deep Inch Socket 1/4" Drive 1/2"
GW-1605	6 Point Standard Inch Socket 1/4" Drive 5/32"
GW-1606	6 Point Standard Inch Socket 1/4" Drive 3/16"
GW-1607	6 Point Standard Inch Socket 1/4" Drive 7/32"
GW-1608	6 Point Standard Inch Socket 1/4" Drive 1/4"
GW-1609	6 Point Standard Inch Socket 1/4" Drive 9/32"
GW-1610	6 Point Standard Inch Socket 1/4" Drive 5/16"
GW-1611	6 Point Standard Inch Socket 1/4" Drive 11/32"
GW-1612	6 Point Standard Inch Socket 1/4" Drive 3/8"
GW-1614	6 Point Standard Inch Socket 1/4" Drive 7/16"
GW-1616	6 Point Standard Inch Socket 1/4" Drive 1/2"
GW-504M	6 Point Deep Metric Socket 1/4" Drive 4 mm
GW-505M	6 Point Deep Metric Socket 1/4" Drive 5 mm
GW-506M	6 Point Deep Metric Socket 1/4" Drive 6 mm
GW-507M	6 Point Deep Metric Socket 1/4" Drive 7 mm

Contents	Description
GW-508M	6 Point Deep Metric Socket 1/4" Drive 8 mm
GW-509M	6 Point Deep Metric Socket 1/4" Drive 9 mm
GW-510M	6 Point Deep Metric Socket 1/4" Drive 10 mm
GW-513M	6 Point Deep Metric Socket 1/4" Drive 13 mm
GW-604M	6 Point Standard Metric Socket 1/4" Drive 4 mm
GW-605M	6 Point Standard Metric Socket 1/4" Drive 5 mm
GW-606M	6 Point Standard Metric Socket 1/4" Drive 6 mm
GW-607M	6 Point Standard Metric Socket 1/4" Drive 7 mm
GW-608M	6 Point Standard Metric Socket 1/4" Drive 8 mm
GW-609M	6 Point Standard Metric Socket 1/4" Drive 9 mm
GW-610M	6 Point Standard Metric Socket 1/4" Drive 10 mm
GW-611M	6 Point Standard Metric Socket 1/4" Drive 11 mm
GW-612M	6 Point Standard Metric Socket 1/4" Drive 12 mm
GW-613M	6 Point Standard Metric Socket 1/4" Drive 13 mm
GW-9898L	1/4" Drive Locking Extension 4"
GW-9899L	1/4" Drive Locking Extension 6"
HW-1609M	12 Point Deep Metric Socket 3/8" Drive 9 mm
HW-1610M	12 Point Deep Metric Socket 3/8" Drive 10 mm
HW-1611M	12 Point Deep Metric Socket 3/8" Drive 11 mm
HW-1612M	12 Point Deep Metric Socket 3/8" Drive 12 mm
HW-1613M	12 Point Deep Metric Socket 3/8" Drive 13 mm
HW-1614M	12 Point Deep Metric Socket 3/8" Drive 14 mm
HW-1615M	12 Point Deep Metric Socket 3/8" Drive 15 mm
HW-1616M	12 Point Deep Metric Socket 3/8" Drive 16 mm
ST-PZ0-3	PZ0 Pozidriv® Screwdriver - 3" Blade
ST-PZ1-4	PZ1 Pozidriv® Screwdriver - 4" Blade
ST-PZ2-5	PZ2 Pozidriv® Screwdriver - 5" Blade
ST-PZ2-5B	PZ2 Pozidriv® Screwdriver - 5" Blade
ST-PZ3-6B	PZ3 Pozidriv® Screwdriver - 6" Blade
ST-PZ4-8B	PZ4 Pozidriv® Screwdriver - 8" Blade
ST-SS1	1/4" Drive Socket Spinner





125 PIECE MASTER TOOL SET

Item #: 970125

- 100 - Sockets & Accessories
- 19 - Miscellaneous Tools
- 6 - Wrenches

- 1/4", 3/8", & 1/2" Drives with Ratchets
- Chrome Sockets Only
- Standard and Metric Sizing
- Wrenches: Combination – Standard Only
- Weight (lbs): 12.38



Contents	Description
30012	12 Point Standard Inch Socket 3/8" Drive 3/8"
30014	12 Point Standard Inch Socket 3/8" Drive 7/16"
30016	12 Point Standard Inch Socket 3/8" Drive 1/2"
30018	12 Point Standard Inch Socket 3/8" Drive 9/16"
30020	12 Point Standard Inch Socket 3/8" Drive 5/8"
30022	12 Point Standard Inch Socket 3/8" Drive 11/16"
30024	12 Point Standard Inch Socket 3/8" Drive 3/4"
30026	12 Point Standard Inch Socket 3/8" Drive 13/16"
30412	12 Point Deep Inch Socket 3/8" Drive 3/8"
30414	12 Point Deep Inch Socket 3/8" Drive 7/16"
30416	12 Point Deep Inch Socket 3/8" Drive 1/2"
30418	12 Point Deep Inch Socket 3/8" Drive 9/16"
30420	12 Point Deep Inch Socket 3/8" Drive 5/8"
30422	12 Point Deep Inch Socket 3/8" Drive 11/16"
31108	8 Point Standard Inch Socket 3/8" Drive 1/4"

Contents	Description
31110	8 Point Standard Inch Socket 3/8" Drive 5/16"
31112	8 Point Standard Inch Socket 3/8" Drive 3/8"
31114	8 Point Standard Inch Socket 3/8" Drive 7/16"
31116	8 Point Standard Inch Socket 3/8" Drive 1/2"
32009M	6 Point Standard Metric Socket 3/8" Drive 9 mm
32010M	6 Point Standard Metric Socket 3/8" Drive 10 mm
32011M	6 Point Standard Metric Socket 3/8" Drive 11 mm
32012M	6 Point Standard Metric Socket 3/8" Drive 12 mm
32013M	6 Point Standard Metric Socket 3/8" Drive 13 mm
32014M	6 Point Standard Metric Socket 3/8" Drive 14 mm
32015M	6 Point Standard Metric Socket 3/8" Drive 15 mm
32017M	6 Point Standard Metric Socket 3/8" Drive 17 mm
32019M	6 Point Standard Metric Socket 3/8" Drive 19 mm
34009M	12 Point Standard Metric Socket 3/8" Drive 9 mm
34010M	12 Point Standard Metric Socket 3/8" Drive 10 mm



125 PIECE MASTER TOOL SET, *continued*

Item #: 970125

Contents	Description
34011M	12 Point Standard Metric Socket 3/8" Drive 11 mm
34012M	12 Point Standard Metric Socket 3/8" Drive 12 mm
34013M	12 Point Standard Metric Socket 3/8" Drive 13 mm
34014M	12 Point Standard Metric Socket 3/8" Drive 14 mm
34015M	12 Point Standard Metric Socket 3/8" Drive 15 mm
34016M	12 Point Standard Metric Socket 3/8" Drive 16 mm
34017M	12 Point Standard Metric Socket 3/8" Drive 17 mm
34018M	12 Point Standard Metric Socket 3/8" Drive 18 mm
34019M	12 Point Standard Metric Socket 3/8" Drive 19 mm
34966	3/8" Drive 3/8" x 1/2" Adapter
34987L	3/8" Drive Locking Extension 6"
34988L	3/8" Drive Locking Extension 3"
40114	12 Point Standard Inch Socket 1/2" Drive 7/16"
40116	12 Point Standard Inch Socket 1/2" Drive 1/2"
40118	12 Point Standard Inch Socket 1/2" Drive 9/16"
40120	12 Point Standard Inch Socket 1/2" Drive 5/8"
40122	12 Point Standard Inch Socket 1/2" Drive 11/16"
40124	12 Point Standard Inch Socket 1/2" Drive 3/4"
40126	12 Point Standard Inch Socket 1/2" Drive 13/16"
49964L	1/2" Drive Locking Extension 3"
49966L	1/2" Drive Locking Extension 6"
9000-T10	Insert Bit Torx® Bit T10
9000-T15	Insert Bit Torx® Bit T15
9000-T20	Insert Bit Torx® Bit T20
9000-T25	Insert Bit Torx® Bit T25
9000-T27	Insert Bit Torx® T27
9000-T30	Insert Bit Torx® Bit T30
900-20	Insert Bit # 0 Point Phillips®
900-21	Insert Bit # 1 Point Phillips®
900-22	Insert Bit # 2 Point Phillips®
900-3	Insert Bit Slotted 5/32"
900-4	Insert Bit Slotted 3/16"
900-5	Insert Bit Slotted 7/32"
900-6	Insert Bit Slotted 1/4"
900-60	Hex Bit, 5/64"
900-61	Hex Bit, 1/8"
900-62	Hex Bit, 5/32"
900-63	Hex Bit, 3/16"
900-64	Hex Bit, 1/4"
900-8	Insert Bit Slotted 5/16"
BP-1214QR	1/4" Drive Quick-Release Ratchet
BP-1338QR	3/8" Drive Quick-Release Ratchet
BW-1160	Satin Finish Combination Wrench 3/8" - 12 Point
BW-1161	Satin Finish Combination Wrench 7/16" - 12 Point
BW-1162	Satin Finish Combination Wrench 1/2" - 12 Point
BW-1163	Satin Finish Combination Wrench 9/16" - 12 Point
BW-1164	Satin Finish Combination Wrench 5/8" - 12 Point
BW-1165	Satin Finish Combination Wrench 11/16" - 12 Point

Contents	Description
GW-1508	6 Point Deep Inch Socket 1/4" Drive 1/4"
GW-1510	6 Point Deep Inch Socket 1/4" Drive 5/16"
GW-1512	6 Point Deep Inch Socket 1/4" Drive 3/8"
GW-1514	6 Point Deep Inch Socket 1/4" Drive 7/16"
GW-1516	6 Point Deep Inch Socket 1/4" Drive 1/2"
GW-1605	6 Point Standard Inch Socket 1/4" Drive 5/32"
GW-1606	6 Point Standard Inch Socket 1/4" Drive 3/16"
GW-1607	6 Point Standard Inch Socket 1/4" Drive 7/32"
GW-1608	6 Point Standard Inch Socket 1/4" Drive 1/4"
GW-1609	6 Point Standard Inch Socket 1/4" Drive 9/32"
GW-1610	6 Point Standard Inch Socket 1/4" Drive 5/16"
GW-1611	6 Point Standard Inch Socket 1/4" Drive 11/32"
GW-1612	6 Point Standard Inch Socket 1/4" Drive 3/8"
GW-1614	6 Point Standard Inch Socket 1/4" Drive 7/16"
GW-1616	6 Point Standard Inch Socket 1/4" Drive 1/2"
GW-1706	12 Point Standard Inch Socket 1/4" Drive 3/16"
GW-1707	12 Point Standard Inch Socket 1/4" Drive 7/32"
GW-1708	12 Point Standard Inch Socket 1/4" Drive 1/4"
GW-1709	12 Point Standard Inch Socket 1/4" Drive 9/32"
GW-1710	12 Point Standard Inch Socket 1/4" Drive 5/16"
GW-1711	12 Point Standard Inch Socket 1/4" Drive 11/32"
GW-1712	12 Point Standard Inch Socket 1/4" Drive 3/8"
GW-1714	12 Point Standard Inch Socket 1/4" Drive 7/16"
GW-1716	12 Point Standard Inch Socket 1/4" Drive 1/2"
GW-507M	6 Point Deep Metric Socket 1/4" Drive 7 mm
GW-508M	6 Point Deep Metric Socket 1/4" Drive 8 mm
GW-509M	6 Point Deep Metric Socket 1/4" Drive 9 mm
GW-510M	6 Point Deep Metric Socket 1/4" Drive 10 mm
GW-513M	6 Point Deep Metric Socket 1/4" Drive 13 mm
GW-604M	6 Point Standard Metric Socket 1/4" Drive 4 mm
GW-605M	6 Point Standard Metric Socket 1/4" Drive 5 mm
GW-606M	6 Point Standard Metric Socket 1/4" Drive 6 mm
GW-607M	6 Point Standard Metric Socket 1/4" Drive 7 mm
GW-608M	6 Point Standard Metric Socket 1/4" Drive 8 mm
GW-609M	6 Point Standard Metric Socket 1/4" Drive 9 mm
GW-610M	6 Point Standard Metric Socket 1/4" Drive 10 mm
GW-611M	6 Point Standard Metric Socket 1/4" Drive 11 mm
GW-612M	6 Point Standard Metric Socket 1/4" Drive 12 mm
GW-613M	6 Point Standard Metric Socket 1/4" Drive 13 mm
GW-9898L	1/4" Drive Locking Extension 4"
HW-1510M	6 Point Deep Metric Socket 3/8" Drive 10 mm
HW-1512M	6 Point Deep Metric Socket 3/8" Drive 12 mm
HW-1513M	6 Point Deep Metric Socket 3/8" Drive 13 mm
HW-1514M	6 Point Deep Metric Socket 3/8" Drive 14 mm
HW-1515M	6 Point Deep Metric Socket 3/8" Drive 15 mm
HW-1520S	3/8" Drive Spark Plug Socket 5/8"
ST-SS1	1/4" Drive Socket Spinner





100 PIECE MASTER TOOL SET

Item #: 970100

61 - Sockets & Accessories
39 - Wrenches

- 1/4" & 3/8" Drives with Ratchets
- Chrome Sockets Only
- Standard and Metric Sizing
- Wrenches: Combination – Ratcheting, Stubby Reversible Ratcheting
- Weight (lbs): 18.43



Contents	Description
30012	12 Point Standard Inch Socket 3/8" Drive 3/8"
30014	12 Point Standard Inch Socket 3/8" Drive 7/16"
30016	12 Point Standard Inch Socket 3/8" Drive 1/2"
30018	12 Point Standard Inch Socket 3/8" Drive 9/16"
30020	12 Point Standard Inch Socket 3/8" Drive 5/8"
30022	12 Point Standard Inch Socket 3/8" Drive 11/16"
30024	12 Point Standard Inch Socket 3/8" Drive 3/4"
30412	12 Point Deep Inch Socket 3/8" Drive 3/8"
30414	12 Point Deep Inch Socket 3/8" Drive 7/16"
30416	12 Point Deep Inch Socket 3/8" Drive 1/2"
30418	12 Point Deep Inch Socket 3/8" Drive 9/16"
30420	12 Point Deep Inch Socket 3/8" Drive 5/8"
30422	12 Point Deep Inch Socket 3/8" Drive 11/16"

Contents	Description
30424	12 Point Deep Inch Socket 3/8" Drive 3/4"
30426	12 Point Deep Inch Socket 3/8" Drive 13/16"
34009M	12 Point Standard Metric Socket 3/8" Drive 9 mm
34010M	12 Point Standard Metric Socket 3/8" Drive 10 mm
34011M	12 Point Standard Metric Socket 3/8" Drive 11 mm
34012M	12 Point Standard Metric Socket 3/8" Drive 12 mm
34013M	12 Point Standard Metric Socket 3/8" Drive 13 mm
34014M	12 Point Standard Metric Socket 3/8" Drive 14 mm
34015M	12 Point Standard Metric Socket 3/8" Drive 15 mm
34016M	12 Point Standard Metric Socket 3/8" Drive 16 mm
34017M	12 Point Standard Metric Socket 3/8" Drive 17 mm
34018M	12 Point Standard Metric Socket 3/8" Drive 18 mm
34019M	12 Point Standard Metric Socket 3/8" Drive 19 mm



100 PIECE MASTER TOOL SET, *continued***Item #: 970100**

Contents	Description
34984L	3/8" Drive Locking Extension 10"
34987L	3/8" Drive Locking Extension 6"
34988L	3/8" Drive Locking Extension 3"
BP-1214QR	1/4" Drive Quick-Release Ratchet
BP-1338QR	3/8" Drive Quick-Release Ratchet
BW-1306	XL Combination Ratcheting Wrench - 5/16"
BW-1308	XL Combination Ratcheting Wrench - 11/32"
BW-1308M	XL Combination Ratcheting Wrench - 8mm
BW-1309M	XL Combination Ratcheting Wrench - 9mm
BW-1310	XL Combination Ratcheting Wrench - 3/8"
BW-1310M	XL Combination Ratcheting Wrench - 10mm
BW-1311M	XL Combination Ratcheting Wrench - 11mm
BW-1312	XL Combination Ratcheting Wrench - 7/16"
BW-1312M	XL Combination Ratcheting Wrench - 12mm
BW-1313M	XL Combination Ratcheting Wrench - 13mm
BW-1314	XL Combination Ratcheting Wrench - 1/2"
BW-1314M	XL Combination Ratcheting Wrench - 14mm
BW-1315M	XL Combination Ratcheting Wrench - 15mm
BW-1316	XL Combination Ratcheting Wrench - 9/16"
BW-1316M	XL Combination Ratcheting Wrench - 16mm
BW-1317M	XL Combination Ratcheting Wrench - 17mm
BW-1318	XL Combination Ratcheting Wrench - 5/8"
BW-1318M	XL Combination Ratcheting Wrench - 18mm
BW-1320	XL Combination Ratcheting Wrench - 11/16"
BW-1322	XL Combination Ratcheting Wrench - 3/4"
BW-2206R	Stubby Reverse Ratcheting Wrench 1/4"
BW-2208R	Stubby Reverse Ratcheting Wrench 5/16"
BW-2210R	Stubby Reverse Ratcheting Wrench 3/8"
BW-2212R	Stubby Reverse Ratcheting Wrench 7/16"
BW-2214R	Stubby Reverse Ratcheting Wrench 1/2"
BW-2216R	Stubby Reverse Ratcheting Wrench 9/16"
BW-2218R	Stubby Reverse Ratcheting Wrench 5/8"
BW-2220R	Stubby Reverse Ratcheting Wrench 11/16"
BW-2222R	Stubby Reverse Ratcheting Wrench 3/4"
BW-2260R	Stubby Reverse Ratcheting Wrench 10mm
BW-2261R	Stubby Reverse Ratcheting Wrench 11mm
BW-2262R	Stubby Reverse Ratcheting Wrench 12mm

Contents	Description
BW-2263R	Stubby Reverse Ratcheting Wrench 13mm
BW-2264R	Stubby Reverse Ratcheting Wrench 14mm
BW-2265R	Stubby Reverse Ratcheting Wrench 15mm
BW-2266R	Stubby Reverse Ratcheting Wrench 16mm
BW-2276R	Stubby Reverse Ratcheting Wrench 6mm
BW-2278R	Stubby Reverse Ratcheting Wrench 8mm
BW-2279R	Stubby Reverse Ratcheting Wrench 9mm
GW-504M	6 Point Deep Metric Socket 1/4" Drive 4 mm
GW-505M	6 Point Deep Metric Socket 1/4" Drive 5 mm
GW-506M	6 Point Deep Metric Socket 1/4" Drive 6 mm
GW-507M	6 Point Deep Metric Socket 1/4" Drive 7 mm
GW-508M	6 Point Deep Metric Socket 1/4" Drive 8 mm
GW-509M	6 Point Deep Metric Socket 1/4" Drive 9 mm
GW-510M	6 Point Deep Metric Socket 1/4" Drive 10 mm
GW-513M	6 Point Deep Metric Socket 1/4" Drive 13 mm
GW-604M	6 Point Standard Metric Socket 1/4" Drive 4 mm
GW-605M	6 Point Standard Metric Socket 1/4" Drive 5 mm
GW-606M	6 Point Standard Metric Socket 1/4" Drive 6 mm
GW-607M	6 Point Standard Metric Socket 1/4" Drive 7 mm
GW-608M	6 Point Standard Metric Socket 1/4" Drive 8 mm
GW-609M	6 Point Standard Metric Socket 1/4" Drive 9 mm
GW-610M	6 Point Standard Metric Socket 1/4" Drive 10 mm
GW-611M	6 Point Standard Metric Socket 1/4" Drive 11 mm
GW-612M	6 Point Standard Metric Socket 1/4" Drive 12 mm
GW-613M	6 Point Standard Metric Socket 1/4" Drive 13 mm
GW-9898L	1/4" Drive Locking Extension 4"
GW-9899L	1/4" Drive Locking Extension 6"
HW-1510M	6 Point Deep Metric Socket 3/8" Drive 10 mm
HW-1512M	6 Point Deep Metric Socket 3/8" Drive 12 mm
HW-1513M	6 Point Deep Metric Socket 3/8" Drive 13 mm
HW-1514M	6 Point Deep Metric Socket 3/8" Drive 14 mm
HW-1515M	6 Point Deep Metric Socket 3/8" Drive 15 mm
HW-1517M	6 Point Deep Metric Socket 3/8" Drive 17 mm
HW-1519M	6 Point Deep Metric Socket 3/8" Drive 19 mm
HW-1520S	3/8" Drive Spark Plug Socket 5/8"
HW-1526S	Spark Plug Socket 3/8" Drive 13/16"
ST-SS1	1/4" Drive Socket Spinner





80 PIECE MASTER TOOL SET

Item #: 970080

68 - Sockets & Accessories

12 - Wrenches

- 1/4" & 3/8" Drives with Ratchets
- Chrome Sockets Only
- Standard and Metric Sizing
- Wrenches: Double Box-End Ratcheting; Combination – Stubby Reversible Ratcheting
- Weight (lbs): 9.25



Contents	Description
30012	12 Point Standard Inch Socket 3/8" Drive 3/8"
30014	12 Point Standard Inch Socket 3/8" Drive 7/16"
30016	12 Point Standard Inch Socket 3/8" Drive 1/2"
30018	12 Point Standard Inch Socket 3/8" Drive 9/16"
30020	12 Point Standard Inch Socket 3/8" Drive 5/8"
30022	12 Point Standard Inch Socket 3/8" Drive 11/16"
30024	12 Point Standard Inch Socket 3/8" Drive 3/4"
30026	12 Point Standard Inch Socket 3/8" Drive 13/16"
30412	12 Point Deep Inch Socket 3/8" Drive 3/8"
30414	12 Point Deep Inch Socket 3/8" Drive 7/16"
30416	12 Point Deep Inch Socket 3/8" Drive 1/2"
30418	12 Point Deep Inch Socket 3/8" Drive 9/16"
30420	12 Point Deep Inch Socket 3/8" Drive 5/8"
30612	6 Point Standard Inch Socket 3/8" Drive 3/8"
30614	6 Point Standard Inch Socket 3/8" Drive 7/16"
30616	6 Point Standard Inch Socket 3/8" Drive 1/2"
30618	6 Point Standard Inch Socket 3/8" Drive 9/16"
30620	6 Point Standard Inch Socket 3/8" Drive 5/8"
30622	6 Point Standard Inch Socket 3/8" Drive 11/16"
30624	6 Point Standard Inch Socket 3/8" Drive 3/4"
30626	6 Point Standard Inch Socket 3/8" Drive 13/16"
32009M	6 Point Standard Metric Socket 3/8" Drive 9 mm
32010M	6 Point Standard Metric Socket 3/8" Drive 10 mm

Contents	Description
32011M	6 Point Standard Metric Socket 3/8" Drive 11 mm
32012M	6 Point Standard Metric Socket 3/8" Drive 12 mm
32013M	6 Point Standard Metric Socket 3/8" Drive 13 mm
32014M	6 Point Standard Metric Socket 3/8" Drive 14 mm
32015M	6 Point Standard Metric Socket 3/8" Drive 15 mm
32017M	6 Point Standard Metric Socket 3/8" Drive 17 mm
32019M	6 Point Standard Metric Socket 3/8" Drive 19 mm
34009M	12 Point Standard Metric Socket 3/8" Drive 9 mm
34010M	12 Point Standard Metric Socket 3/8" Drive 10 mm
34011M	12 Point Standard Metric Socket 3/8" Drive 11 mm
34012M	12 Point Standard Metric Socket 3/8" Drive 12 mm
34013M	12 Point Standard Metric Socket 3/8" Drive 13 mm
34014M	12 Point Standard Metric Socket 3/8" Drive 14 mm
34015M	12 Point Standard Metric Socket 3/8" Drive 15 mm
34016M	12 Point Standard Metric Socket 3/8" Drive 16 mm
34017M	12 Point Standard Metric Socket 3/8" Drive 17 mm
34018M	12 Point Standard Metric Socket 3/8" Drive 18 mm
34019M	12 Point Standard Metric Socket 3/8" Drive 19 mm
34988L	3/8" Drive Locking Extension 3"
BP-1214QR	1/4" Drive Quick-Release Ratchet
BP-1338QR	3/8" Drive Quick-Release Ratchet
BW-1340M	4Box™ Ratcheting Wrench - 8, 9, 10, 11mm
BW-1341	4Box™ Ratcheting Wrench - 5/16, 3/8, 7/16, 1/2"





80 PIECE MASTER TOOL SET, *continued*

Item #: 970080

Contents	Description
BW-1342M	4Box™ Ratcheting Wrench - 12, 13, 14, 15mm
BW-1343	4Box™ Ratcheting Wrench - 9/16, 5/8, 11/16, 3/4"
BW-1344M	4Box™ Ratcheting Wrench - 16, 17, 18, 19mm
BW-2210R	Stubby Reverse Ratcheting Wrench 3/8"
BW-2212R	Stubby Reverse Ratcheting Wrench 7/16"
BW-2214R	Stubby Reverse Ratcheting Wrench 1/2"
BW-2216R	Stubby Reverse Ratcheting Wrench 9/16"
BW-2218R	Stubby Reverse Ratcheting Wrench 5/8"
BW-2220R	Stubby Reverse Ratcheting Wrench 11/16"
BW-2222R	Stubby Reverse Ratcheting Wrench 3/4"
GW-1506	6 Point Deep Inch Socket 1/4" Drive 3/16"
GW-1508	6 Point Deep Inch Socket 1/4" Drive 1/4"
GW-1509	6 Point Deep Inch Socket 1/4" Drive 9/32"
GW-1510	6 Point Deep Inch Socket 1/4" Drive 5/16"
GW-1605	6 Point Standard Inch Socket 1/4" Drive 5/32"
GW-1606	6 Point Standard Inch Socket 1/4" Drive 3/16"
GW-1607	6 Point Standard Inch Socket 1/4" Drive 7/32"

Contents	Description
GW-1608	6 Point Standard Inch Socket 1/4" Drive 1/4"
GW-1609	6 Point Standard Inch Socket 1/4" Drive 9/32"
GW-1610	6 Point Standard Inch Socket 1/4" Drive 5/16"
GW-1611	6 Point Standard Inch Socket 1/4" Drive 11/32"
GW-1612	6 Point Standard Inch Socket 1/4" Drive 3/8"
GW-1614	6 Point Standard Inch Socket 1/4" Drive 7/16"
GW-1616	6 Point Standard Inch Socket 1/4" Drive 1/2"
GW-1706	12 Point Standard Inch Socket 1/4" Drive 3/16"
GW-1707	12 Point Standard Inch Socket 1/4" Drive 7/32"
GW-1708	12 Point Standard Inch Socket 1/4" Drive 1/4"
GW-1709	12 Point Standard Inch Socket 1/4" Drive 9/32"
GW-1710	12 Point Standard Inch Socket 1/4" Drive 5/16"
GW-1711	12 Point Standard Inch Socket 1/4" Drive 11/32"
GW-1712	12 Point Standard Inch Socket 1/4" Drive 3/8"
GW-1714	12 Point Standard Inch Socket 1/4" Drive 7/16"
GW-1716	12 Point Standard Inch Socket 1/4" Drive 1/2"
HW-1520S	3/8" Drive Spark Plug Socket 5/8"

MASTER SETS

80



Blackhawk
BY PROTO

Blackhawk™ by Proto® not available in all countries.

GENERAL PURPOSE TOOL KITS

Serving the needs of general maintenance end-users, the Blackhawk™ by Proto® general purpose tool kits provide entry level sets for common fastener sizes and applications. Ranging from single drive size sets to sets of pliers and screwdrivers, these smaller sets of 15 to 100 pieces serve as building blocks to our full master set program.



100 PIECE 3/8" DRIVE COMBINATION SET

Item #: 9748100

- 100 piece fractional and metric combination set with wrenches, 3/8 inch drive sockets, extensions, and pear head ratchet in a blow mold case.
- Weight (lbs): 18.03



Contents	Description
30010	6 Point Standard Inch Socket 3/8" Drive 5/16"
30412	12 Point Deep Inch Socket 3/8" Drive 3/8"
30414	12 Point Deep Inch Socket 3/8" Drive 7/16"
30416	12 Point Deep Inch Socket 3/8" Drive 1/2"
30418	12 Point Deep Inch Socket 3/8" Drive 9/16"
30420	12 Point Deep Inch Socket 3/8" Drive 5/8"
30422	12 Point Deep Inch Socket 3/8" Drive 11/16"
30424	12 Point Deep Inch Socket 3/8" Drive 3/4"
30426	12 Point Deep Inch Socket 3/8" Drive 13/16"
30428	12 Point Deep Inch Socket 3/8" Drive 7/8"
30430	12 Point Deep Inch Socket 3/8" Drive 15/16"
30432	12 Point Deep Inch Socket 3/8" Drive 1"
30608	6 Point Standard Inch Socket 3/8" Drive 1/4"
30612	6 Point Standard Inch Socket 3/8" Drive 3/8"
30614	6 Point Standard Inch Socket 3/8" Drive 7/16"
30616	6 Point Standard Inch Socket 3/8" Drive 1/2"
30618	6 Point Standard Inch Socket 3/8" Drive 9/16"
30620	6 Point Standard Inch Socket 3/8" Drive 5/8"
30622	6 Point Standard Inch Socket 3/8" Drive 11/16"
30624	6 Point Standard Inch Socket 3/8" Drive 3/4"
30626	6 Point Standard Inch Socket 3/8" Drive 13/16"
30628	6 Point Standard Inch Socket 3/8" Drive 7/8"
30630	6 Point Standard Inch Socket 3/8" Drive 15/16"
30632	6 Point Standard Inch Socket 3/8" Drive 1"
32007M	6 Point Standard Metric Socket 3/8" Drive 7 mm
32008M	6 Point Standard Metric Socket 3/8" Drive 8 mm
32009M	6 Point Standard Metric Socket 3/8" Drive 9 mm
32010M	6 Point Standard Metric Socket 3/8" Drive 10 mm
32011M	6 Point Standard Metric Socket 3/8" Drive 11 mm

Contents	Description
32012M	6 Point Standard Metric Socket 3/8" Drive 12 mm
32013M	6 Point Standard Metric Socket 3/8" Drive 13 mm
32014M	6 Point Standard Metric Socket 3/8" Drive 14 mm
32015M	6 Point Standard Metric Socket 3/8" Drive 15 mm
32016M	6 Point Standard Metric Socket 3/8" Drive 16 mm
32017M	6 Point Standard Metric Socket 3/8" Drive 17 mm
32018M	6 Point Standard Metric Socket 3/8" Drive 18 mm
32019M	6 Point Standard Metric Socket 3/8" Drive 19 mm
32020M	6 Point Standard Metric Socket 3/8" Drive 20 mm
32021M	6 Point Standard Metric Socket 3/8" Drive 21 mm
32022M	6 Point Standard Metric Socket 3/8" Drive 22 mm
34983	3/8" Drive Extension 19"
34984L	3/8" Drive Locking Extension 10"
34988L	3/8" Drive Locking Extension 3"
34989	3/8" Drive Extension 1-3/4"
BP-1338QR	3/8" Drive Quick-Release Ratchet
BW-1260	Non-Reverse Ratcheting Combination Wrench 10mm
BW-1261	Non-Reverse Ratcheting Combination Wrench 12mm
BW-1262	Non-Reverse Ratcheting Combination Wrench 13mm
BW-1263	Non-Reverse Ratcheting Combination Wrench 14mm
BW-1264	Non-Reverse Ratcheting Combination Wrench 15mm
BW-1265	Non-Reverse Ratcheting Combination Wrench 16mm
BW-1266	Non-Reverse Ratcheting Combination Wrench 17mm
BW-1267	Non-Reverse Ratcheting Combination Wrench 18mm
BW-2206R	Stubby Reverse Ratcheting Wrench 1/4"
BW-2208R	Stubby Reverse Ratcheting Wrench 5/16"
BW-2210R	Stubby Reverse Ratcheting Wrench 3/8"
BW-2212R	Stubby Reverse Ratcheting Wrench 7/16"
BW-2214R	Stubby Reverse Ratcheting Wrench 1/2"

Blackhawk
BY PROTO

Blackhawk™ by Proto® not available in all countries.

GENERAL PURPOSE
TOOL KITS





100 PIECE 3/8" DRIVE COMBINATION SET, *continued*

Item #: 9748100

Contents	Description
BW-2216R	Stubby Reverse Ratcheting Wrench 9/16"
BW-2218R	Stubby Reverse Ratcheting Wrench 5/8"
BW-2220R	Stubby Reverse Ratcheting Wrench 11/16"
BW-2222R	Stubby Reverse Ratcheting Wrench 3/4"
HW-1520S	3/8" Drive Spark Plug Socket 5/8"
HW-1607M	12 Point Deep Metric Socket 3/8" Drive 7 mm
HW-1608M	12 Point Deep Metric Socket 3/8" Drive 8 mm
HW-1609M	12 Point Deep Metric Socket 3/8" Drive 9 mm
HW-1610M	12 Point Deep Metric Socket 3/8" Drive 10 mm
HW-1611M	12 Point Deep Metric Socket 3/8" Drive 11 mm
HW-1612M	12 Point Deep Metric Socket 3/8" Drive 12 mm
HW-1613M	12 Point Deep Metric Socket 3/8" Drive 13 mm
HW-1614M	12 Point Deep Metric Socket 3/8" Drive 14 mm
HW-1615M	12 Point Deep Metric Socket 3/8" Drive 15 mm
HW-1616M	12 Point Deep Metric Socket 3/8" Drive 16 mm
HW-1617M	12 Point Deep Metric Socket 3/8" Drive 17 mm
HW-1618M	12 Point Deep Metric Socket 3/8" Drive 18 mm
HW-1619M	12 Point Deep Metric Socket 3/8" Drive 19 mm
HW-94025M-2	3/8" Drive Hex Bit Socket - 2.5mm
HW-9402M-2	3/8" Drive Hex Bit Socket - 2 mm
HW-9403M-2	3/8" Drive Hex Bit Socket - 3 mm

Contents	Description
HW-9404M-2	3/8" Drive Hex Bit Socket - 4 mm
HW-9405M-2	3/8" Drive Hex Bit Socket - 5 mm
HW-9406M-2	3/8" Drive Hex Bit Socket - 6 mm
HW-9407M-2	3/8" Drive Hex Bit Socket - 7 mm
HW-9408M-2	3/8" Drive Hex Bit Socket - 8 mm
HW-9409M-2	3/8" Drive Hex Bit Socket - 9 mm
HW-9410M-2	3/8" Drive Hex Bit Socket - 10 mm
HW-9411M-2	3/8" Drive Hex Bit Socket - 11 mm
HW-9412M-2	3/8" Drive Hex Bit Socket - 12 mm
HW-9438-2	3/8" Drive Hex Bit Socket - 1/16"
HW-9439-2	3/8" Drive Hex Bit Socket - 5/64"
HW-9440-2	3/8" Drive Hex Bit Socket - 3/32"
HW-9441-2	3/8" Drive Hex Bit Socket - 7/64"
HW-9442-2	3/8" Drive Hex Bit Socket - 1/8"
HW-9443-2	3/8" Drive Hex Bit Socket - 9/64"
HW-9444-2	3/8" Drive Hex Bit Socket - 5/32"
HW-9445-2	3/8" Drive Hex Bit Socket - 3/8"
HW-9446-2	3/8" Drive Hex Bit Socket - 5/16"
HW-9447-2	3/8" Drive Hex Bit Socket - 1/4"
HW-9448-2	3/8" Drive Hex Bit Socket - 7/32"
HW-9449-2	3/8" Drive Hex Bit Socket - 3/16"

STANLEY
PRO
TOOL



100 PIECE 3/8" & 1/2" DRIVE COMBINATION SET

Item #: 9782100

- 100 piece fractional and metric combination set with wrenches, 3/8 inch drive sockets, 1/2 inch drive sockets, extensions, and pear head ratchet in a blow mold case.
- Weight (lbs): 24.01



Contents	Description
30010A	12 Point Standard Inch Socket 3/8" Drive 5/16"
30012	12 Point Standard Inch Socket 3/8" Drive 3/8"
30014	12 Point Standard Inch Socket 3/8" Drive 7/16"
30016	12 Point Standard Inch Socket 3/8" Drive 1/2"
30018	12 Point Standard Inch Socket 3/8" Drive 9/16"
30020	12 Point Standard Inch Socket 3/8" Drive 5/8"
30022	12 Point Standard Inch Socket 3/8" Drive 11/16"
30024	12 Point Standard Inch Socket 3/8" Drive 3/4"
30026	12 Point Standard Inch Socket 3/8" Drive 13/16"
30028	12 Point Standard Inch Socket 3/8" Drive 7/8"
300301	12 Point Standard Inch Socket 3/8" Drive 15/16"
300321	12 Point Standard Inch Socket 3/8" Drive 1"
30412	12 Point Deep Inch Socket 3/8" Drive 3/8"
30414	12 Point Deep Inch Socket 3/8" Drive 7/16"
30416	12 Point Deep Inch Socket 3/8" Drive 1/2"
30418	12 Point Deep Inch Socket 3/8" Drive 9/16"
30420	12 Point Deep Inch Socket 3/8" Drive 5/8"
30422	12 Point Deep Inch Socket 3/8" Drive 11/16"
30424	12 Point Deep Inch Socket 3/8" Drive 3/4"
30426	12 Point Deep Inch Socket 3/8" Drive 13/16"
30428	12 Point Deep Inch Socket 3/8" Drive 7/8"

Contents	Description
30430	12 Point Deep Inch Socket 3/8" Drive 15/16"
30432	12 Point Deep Inch Socket 3/8" Drive 1"
34007M	12 Point Standard Metric Socket 3/8" Drive 7 mm
34008M	12 Point Standard Metric Socket 3/8" Drive 8 mm
34009M	12 Point Standard Metric Socket 3/8" Drive 9 mm
34010M	12 Point Standard Metric Socket 3/8" Drive 10 mm
34011M	12 Point Standard Metric Socket 3/8" Drive 11 mm
34012M	12 Point Standard Metric Socket 3/8" Drive 12 mm
34013M	12 Point Standard Metric Socket 3/8" Drive 13 mm
34014M	12 Point Standard Metric Socket 3/8" Drive 14 mm
34015M	12 Point Standard Metric Socket 3/8" Drive 15 mm
34016M	12 Point Standard Metric Socket 3/8" Drive 16 mm
34017M	12 Point Standard Metric Socket 3/8" Drive 17 mm
34018M	12 Point Standard Metric Socket 3/8" Drive 18 mm
34019M	12 Point Standard Metric Socket 3/8" Drive 19 mm
34020M	12 Point Standard Metric Socket 3/8" Drive 20 mm
34984L	3/8" Drive Locking Extension 10"
34987L	3/8" Drive Locking Extension 6"
34988L	3/8" Drive Locking Extension 3"
34989	3/8" Drive Extension 1-3/4"
40612	6 Point Standard Inch Socket 1/2" Drive 3/8"

Blackhawk
BY PROTO

Blackhawk™ by Proto® not available in all countries.



100 PIECE 3/8" & 1/2" DRIVE COMBINATION SET, *continued*

Item #: 9782100

Contents	Description
40614	1/2" Drive Standard Inch Socket 7/16"
40616	6 Point Standard Inch Socket 1/2" Drive 1/2"
40618	6 Point Standard Inch Socket 1/2" Drive 9/16"
40620	6 Point Standard Inch Socket 1/2" Drive 5/8"
40622	6 Point Standard Inch Socket 1/2" Drive 11/16"
40624	6 Point Standard Inch Socket 1/2" Drive 3/4"
40626	1/2" Drive Standard Inch Socket 13/16"
40628	1/2" Drive Standard Inch Socket 7/8"
40630	6 Point Standard Inch Socket 1/2" Drive 15/16"
40632	6 Point Standard Inch Socket 1/2" Drive 1"
40642A	6 Point Standard Inch Socket 1/2" Drive 1-1/2"
42010M	6 Point Standard Metric Socket 1/2" Drive 10 mm
42011M	6 Point Standard Metric Socket 1/2" Drive 11 mm
42012M	6 Point Standard Metric Socket 1/2" Drive 12 mm
42013M	6 Point Standard Metric Socket 1/2" Drive 13 mm
42014M	6 Point Standard Metric Socket 1/2" Drive 14 mm
43015M	12 Point Standard Metric Socket 1/2" Drive 15 mm
43017M	6 Point Standard Metric Socket 1/2" Drive 17 mm
43019M	6 Point Standard Metric Socket 1/2" Drive 19 mm
43021M	6 Point Standard Metric Socket 1/2" Drive 21 mm
43022M	6 Point Standard Metric Socket 1/2" Drive 22 mm
43023M	6 Point Standard Metric Socket 1/2" Drive 23 mm
43024M	6 Point Standard Metric Socket 1/2" Drive 24 mm
43027M	6 Point Standard Metric Socket 1/2" Drive 27 mm
49964	1/2" Drive Extension 2"
49966L	1/2" Drive Locking Extension 6"
49972	1/2" Drive Extension - 19"
49990L	1/2" Drive Locking Extension 10"
BP-1338QR	3/8" Drive Quick-Release Ratchet

Contents	Description
BP-1412QR	1/2" Drive Quick-Release Ratchet
BW-1210	Non-Reverse Ratcheting Combination Wrench 3/8"
BW-1212	Non-Reverse Ratcheting Combination Wrench 7/16"
BW-1214	Non-Reverse Ratcheting Combination Wrench 1/2"
BW-1216	Non-Reverse Ratcheting Combination Wrench 9/16"
BW-1218	Non-Reverse Ratcheting Combination Wrench 5/8"
BW-1220	Non-Reverse Ratcheting Combination Wrench 11/16"
BW-1222	Non-Reverse Ratcheting Combination Wrench 3/4"
HW-1607M	12 Point Deep Metric Socket 3/8" Drive 7 mm
HW-1608M	12 Point Deep Metric Socket 3/8" Drive 8 mm
HW-1609M	12 Point Deep Metric Socket 3/8" Drive 9 mm
HW-1610M	12 Point Deep Metric Socket 3/8" Drive 10 mm
HW-1611M	12 Point Deep Metric Socket 3/8" Drive 11 mm
HW-1612M	12 Point Deep Metric Socket 3/8" Drive 12 mm
HW-1613M	12 Point Deep Metric Socket 3/8" Drive 13 mm
HW-1614M	12 Point Deep Metric Socket 3/8" Drive 14 mm
HW-1615M	12 Point Deep Metric Socket 3/8" Drive 15 mm
HW-1616M	12 Point Deep Metric Socket 3/8" Drive 16 mm
HW-1617M	12 Point Deep Metric Socket 3/8" Drive 17 mm
HW-1618M	12 Point Deep Metric Socket 3/8" Drive 18 mm
HW-1619M	12 Point Deep Metric Socket 3/8" Drive 19 mm
HW-9607-2	1/2" Drive Hex Bit Socket - 3/8"
HW-9609-2	1/2" Drive Hex Bit Socket - 1/2"
HW-9610M-2	1/2" Drive Hex Bit Socket - 10mm
HW-9611-2	1/2" Drive Hex Bit Socket - 5/8"
HW-9612-2	1/2" Drive Hex Bit Socket - 3/4"
HW-9612M-2	1/2" Drive Hex Bit Socket - 12mm
HW-9614M-2	1/2" Drive Hex Bit Socket - 14mm
HW-9617M-2	1/2" Drive Hex Bit Socket - 17mm

STANLEY PRO
Standard Wrenches



75 PIECE 1/4" & 3/8" DRIVE COMBINATION SET

Item #: 974875

- 75 piece fractional and metric combination set with wrenches, 1/4 inch drive sockets, 3/8 inch drive sockets, extensions, and pear head ratchet in a blow mold case.
- Weight (lbs): 10.0





STANLEY
PRO
TOOL



75 PIECE 1/4" & 3/8" DRIVE COMBINATION SET, *continued*

Item #: 974875

Contents	Description
30012	12 Point Standard Inch Socket 3/8" Drive 3/8"
30014	12 Point Standard Inch Socket 3/8" Drive 7/16"
30016	12 Point Standard Inch Socket 3/8" Drive 1/2"
30018	12 Point Standard Inch Socket 3/8" Drive 9/16"
30020	12 Point Standard Inch Socket 3/8" Drive 5/8"
30022	12 Point Standard Inch Socket 3/8" Drive 11/16"
30024	12 Point Standard Inch Socket 3/8" Drive 3/4"
30026	12 Point Standard Inch Socket 3/8" Drive 13/16"
30028	12 Point Standard Inch Socket 3/8" Drive 7/8"
300301	12 Point Standard Inch Socket 3/8" Drive 15/16"
30412	12 Point Deep Inch Socket 3/8" Drive 3/8"
30414	12 Point Deep Inch Socket 3/8" Drive 7/16"
30416	12 Point Deep Inch Socket 3/8" Drive 1/2"
30418	12 Point Deep Inch Socket 3/8" Drive 9/16"
30420	12 Point Deep Inch Socket 3/8" Drive 5/8"
30422	12 Point Deep Inch Socket 3/8" Drive 11/16"
30424	12 Point Deep Inch Socket 3/8" Drive 3/4"
30426	12 Point Deep Inch Socket 3/8" Drive 13/16"
30428	12 Point Deep Inch Socket 3/8" Drive 7/8"
30430	12 Point Deep Inch Socket 3/8" Drive 15/16"
34007M	12 Point Standard Metric Socket 3/8" Drive 7 mm
34008M	12 Point Standard Metric Socket 3/8" Drive 8 mm
34010M	12 Point Standard Metric Socket 3/8" Drive 10 mm
34011M	12 Point Standard Metric Socket 3/8" Drive 11 mm
34012M	12 Point Standard Metric Socket 3/8" Drive 12 mm
34013M	12 Point Standard Metric Socket 3/8" Drive 13 mm
34015M	12 Point Standard Metric Socket 3/8" Drive 15 mm
34017M	12 Point Standard Metric Socket 3/8" Drive 17 mm
34018M	12 Point Standard Metric Socket 3/8" Drive 18 mm
34019M	12 Point Standard Metric Socket 3/8" Drive 19 mm
34963	3/8" Drive 3/8" x 1/4" Adapter
34984L	3/8" Drive Locking Extension 10"
34988L	3/8" Drive Locking Extension 3"
34989	3/8" Drive Extension 1-3/4"
BP-1338QR	3/8" Drive Quick-Release Ratchet
BW-1210	Non-Reverse Ratcheting Combination Wrench 3/8"
BW-1212	Non-Reverse Ratcheting Combination Wrench 7/16"
BW-1214	Non-Reverse Ratcheting Combination Wrench 1/2"

Contents	Description
BW-1216	Non-Reverse Ratcheting Combination Wrench 9/16"
BW-1218	Non-Reverse Ratcheting Combination Wrench 5/8"
BW-1220	Non-Reverse Ratcheting Combination Wrench 11/16"
BW-2206R	Stubby Reverse Ratcheting Wrench 1/4"
BW-2208R	Stubby Reverse Ratcheting Wrench 5/16"
BW-2210R	Stubby Reverse Ratcheting Wrench 3/8"
BW-2212R	Stubby Reverse Ratcheting Wrench 7/16"
BW-2214R	Stubby Reverse Ratcheting Wrench 1/2"
BW-2216R	Stubby Reverse Ratcheting Wrench 9/16"
BW-2218R	Stubby Reverse Ratcheting Wrench 5/8"
BW-2220R	Stubby Reverse Ratcheting Wrench 11/16"
BW-2222R	Stubby Reverse Ratcheting Wrench 3/4"
GW-1406	12 Point Deep Inch Socket 1/4" Drive 3/16"
GW-1407	12 Point Deep Inch Socket 1/4" Drive 7/32"
GW-1408	12 Point Deep Inch Socket 1/4" Drive 1/4"
GW-1409	12 Point Deep Inch Socket 1/4" Drive 9/32"
GW-1410	12 Point Deep Inch Socket 1/4" Drive 5/16"
GW-1411	12 Point Deep Inch Socket 1/4" Drive 11/32"
GW-1412	12 Point Deep Inch Socket 1/4" Drive 3/8"
GW-1414	12 Point Deep Inch Socket 1/4" Drive 7/16"
GW-1706	12 Point Standard Inch Socket 1/4" Drive 3/16"
GW-1707	12 Point Standard Inch Socket 1/4" Drive 7/32"
GW-1708	12 Point Standard Inch Socket 1/4" Drive 1/4"
GW-1709	12 Point Standard Inch Socket 1/4" Drive 9/32"
GW-1710	12 Point Standard Inch Socket 1/4" Drive 5/16"
GW-1711	12 Point Standard Inch Socket 1/4" Drive 11/32"
GW-1712	12 Point Standard Inch Socket 1/4" Drive 3/8"
GW-1714	12 Point Standard Inch Socket 1/4" Drive 7/16"
GW-1716	12 Point Standard Inch Socket 1/4" Drive 1/2"
GW-707M	12 Point Standard Metric Socket 1/4" Drive 7 mm
GW-708M	12 Point Standard Metric Socket 1/4" Drive 8 mm
GW-709M	12 Point Standard Metric Socket 1/4" Drive 9 mm
GW-710M	12 Point Standard Metric Socket 1/4" Drive 10 mm
GW-711M	12 Point Standard Metric Socket 1/4" Drive 11 mm
GW-712M	12 Point Standard Metric Socket 1/4" Drive 12 mm
GW-713M	12 Point Standard Metric Socket 1/4" Drive 13 mm
ST-SS1	1/4" Drive Socket Spinner



75 PIECE 3/8" & 1/2" DRIVE COMBINATION SET

Item #: 978275

- 75 piece metric combination set with wrenches, 3/8 inch drive sockets, 1/2 inch drive sockets, extensions, and pear head ratchet in a blow mold case.
- Weight (lbs): 15.53



Contents	Description
30010A	12 Point Standard Inch Socket 3/8" Drive 5/16"
30012	12 Point Standard Inch Socket 3/8" Drive 3/8"
30014	12 Point Standard Inch Socket 3/8" Drive 7/16"
30016	12 Point Standard Inch Socket 3/8" Drive 1/2"
30018	12 Point Standard Inch Socket 3/8" Drive 9/16"
30020	12 Point Standard Inch Socket 3/8" Drive 5/8"
30022	12 Point Standard Inch Socket 3/8" Drive 11/16"
30024	12 Point Standard Inch Socket 3/8" Drive 3/4"
30026	12 Point Standard Inch Socket 3/8" Drive 13/16"
30028	12 Point Standard Inch Socket 3/8" Drive 7/8"
300301	12 Point Standard Inch Socket 3/8" Drive 15/16"
300321	12 Point Standard Inch Socket 3/8" Drive 1"
34007M	12 Point Standard Metric Socket 3/8" Drive 7 mm
34008M	12 Point Standard Metric Socket 3/8" Drive 8 mm
34009M	12 Point Standard Metric Socket 3/8" Drive 9 mm
34010M	12 Point Standard Metric Socket 3/8" Drive 10 mm
34011M	12 Point Standard Metric Socket 3/8" Drive 11 mm

Contents	Description
34012M	12 Point Standard Metric Socket 3/8" Drive 12 mm
34013M	12 Point Standard Metric Socket 3/8" Drive 13 mm
34014M	12 Point Standard Metric Socket 3/8" Drive 14 mm
34015M	12 Point Standard Metric Socket 3/8" Drive 15 mm
34016M	12 Point Standard Metric Socket 3/8" Drive 16 mm
34017M	12 Point Standard Metric Socket 3/8" Drive 17 mm
34018M	12 Point Standard Metric Socket 3/8" Drive 18 mm
34019M	12 Point Standard Metric Socket 3/8" Drive 19 mm
34020M	12 Point Standard Metric Socket 3/8" Drive 20 mm
34021M	12 Point Standard Inch Socket 3/8" Drive 21 mm
34022M	12 Point Standard Inch Socket 3/8" Drive 22 mm
34966	3/8" Drive 3/8" x 1/2" Adapter
34984L	3/8" Drive Locking Extension 10"
34987L	3/8" Drive Locking Extension 6"
34988L	3/8" Drive Locking Extension 3"
34989	3/8" Drive Extension 1-3/4"
40612	6 Point Standard Inch Socket 1/2" Drive 3/8"

Blackhawk
BY PROTO

Blackhawk™ by Proto® not available in all countries.

GENERAL PURPOSE
TOOL KITS

88





Standard Wrenches



75 PIECE 3/8" & 1/2" DRIVE COMBINATION SET, *continued*

Item #: 978275

Contents	Description
40614	1/2" Drive Standard Inch Socket 7/16"
40616	6 Point Standard Inch Socket 1/2" Drive 1/2"
40618	6 Point Standard Inch Socket 1/2" Drive 9/16"
40620	6 Point Standard Inch Socket 1/2" Drive 5/8"
40622	6 Point Standard Inch Socket 1/2" Drive 11/16"
40624	6 Point Standard Inch Socket 1/2" Drive 3/4"
40626	1/2" Drive Standard Inch Socket 13/16"
40628	1/2" Drive Standard Inch Socket 7/8"
40630	6 Point Standard Inch Socket 1/2" Drive 15/16"
40632	6 Point Standard Inch Socket 1/2" Drive 1"
40634	6 Point Standard Inch Socket 1/2" Drive 1-1/16"
40636	6 Point Standard Inch Socket 1/2" Drive 1-1/8"
40640	6 Point Standard Inch Socket 1/2" Drive 1-1/4"
40642A	6 Point Standard Inch Socket 1/2" Drive 1-1/2"
BP-1338QR	3/8" Drive Quick-Release Ratchet
BW-1210	Non-Reverse Ratcheting Combination Wrench 3/8"
BW-1212	Non-Reverse Ratcheting Combination Wrench 7/16"
BW-1214	Non-Reverse Ratcheting Combination Wrench 1/2"
BW-1216	Non-Reverse Ratcheting Combination Wrench 9/16"
BW-1218	Non-Reverse Ratcheting Combination Wrench 5/8"
BW-1220	Non-Reverse Ratcheting Combination Wrench 11/16"

Contents	Description
BW-1222	Non-Reverse Ratcheting Combination Wrench 3/4"
BW-1260	Non-Reverse Ratcheting Combination Wrench 10mm
BW-1261	Non-Reverse Ratcheting Combination Wrench 12mm
BW-1262	Non-Reverse Ratcheting Combination Wrench 13mm
BW-1263	Non-Reverse Ratcheting Combination Wrench 14mm
BW-1264	Non-Reverse Ratcheting Combination Wrench 15mm
BW-1265	Non-Reverse Ratcheting Combination Wrench 16mm
BW-1266	Non-Reverse Ratcheting Combination Wrench 17mm
HW-9450-2	3/8" Drive Phillips® Bit Socket - #1
HW-9451-2	3/8" Drive Phillips® Bit Socket - #2
HW-9452-2	3/8" Drive Phillips® Bit Socket - #3
HW-9505-2	3/8" Drive Slotted Bit Socket - 1/4"
HW-9506-2	3/8" Drive Slotted Bit Socket - 5/16"
HW-9606M-2	1/2" Drive Hex Bit Socket - 6mm
HW-9608M-2	1/2" Drive Hex Bit Socket - 8mm
HW-9610M-2	1/2" Drive Hex Bit Socket - 10mm
HW-9612M-2	1/2" Drive Hex Bit Socket - 12mm
HW-9614M-2	1/2" Drive Hex Bit Socket - 14mm
HW-9617M-2	1/2" Drive Hex Bit Socket - 17mm
HW-9619M-2	1/2" Drive Hex Bit Socket - 19mm



50 PIECE 1/4" & 3/8" DRIVE COMBINATION SET

Item #: 974850

- 50 piece fractional combination set with wrenches, 1/4 inch drive sockets, 3/8 inch drive sockets, extensions, and pear head ratchet in a blow mold case.
- Weight (lbs): 8.77



Contents	Description
30612	6 Point Standard Inch Socket 3/8" Drive 3/8"
30614	6 Point Standard Inch Socket 3/8" Drive 7/16"
30616	6 Point Standard Inch Socket 3/8" Drive 1/2"
30618	6 Point Standard Inch Socket 3/8" Drive 9/16"
30620	6 Point Standard Inch Socket 3/8" Drive 5/8"
30622	6 Point Standard Inch Socket 3/8" Drive 11/16"
30624	6 Point Standard Inch Socket 3/8" Drive 3/4"
30626	6 Point Standard Inch Socket 3/8" Drive 13/16"
30628	6 Point Standard Inch Socket 3/8" Drive 7/8"
30630	6 Point Standard Inch Socket 3/8" Drive 15/16"
30632	6 Point Standard Inch Socket 3/8" Drive 1"
34963	3/8" Drive 3/8" x 1/4" Adapter
34984L	3/8" Drive Locking Extension 10"
34988L	3/8" Drive Locking Extension 3"
34989	3/8" Drive Extension 1-3/4"
BP-1338QR	3/8" Drive Quick-Release Ratchet
BW-1210	Non-Reverse Ratcheting Combination Wrench 3/8"
BW-1212	Non-Reverse Ratcheting Combination Wrench 7/16"
BW-1214	Non-Reverse Ratcheting Combination Wrench 1/2"
BW-1216	Non-Reverse Ratcheting Combination Wrench 9/16"
BW-1218	Non-Reverse Ratcheting Combination Wrench 5/8"
BW-1220	Non-Reverse Ratcheting Combination Wrench 11/16"
GW-1507	6 Point Deep Inch Socket 1/4" Drive 7/32"
GW-1508	6 Point Deep Inch Socket 1/4" Drive 1/4"
GW-1509	6 Point Deep Inch Socket 1/4" Drive 9/32"

Contents	Description
GW-1510	6 Point Deep Inch Socket 1/4" Drive 5/16"
GW-1511	6 Point Deep Inch Socket 1/4" Drive 11/32"
GW-1512	6 Point Deep Inch Socket 1/4" Drive 3/8"
GW-1514	6 Point Deep Inch Socket 1/4" Drive 7/16"
GW-1516	6 Point Deep Inch Socket 1/4" Drive 1/2"
GW-1607	6 Point Standard Inch Socket 1/4" Drive 7/32"
GW-1608	6 Point Standard Inch Socket 1/4" Drive 1/4"
GW-1609	6 Point Standard Inch Socket 1/4" Drive 9/32"
GW-1610	6 Point Standard Inch Socket 1/4" Drive 5/16"
GW-1611	6 Point Standard Inch Socket 1/4" Drive 11/32"
GW-1612	6 Point Standard Inch Socket 1/4" Drive 3/8"
GW-1614	6 Point Standard Inch Socket 1/4" Drive 7/16"
GW-1616	6 Point Standard Inch Socket 1/4" Drive 1/2"
HW-1512	6 Point Deep Inch Socket 3/8" Drive 3/8"
HW-1514	6 Point Deep Inch Socket 3/8" Drive 7/16"
HW-1516	6 Point Deep Inch Socket 3/8" Drive 1/2"
HW-1518	6 Point Deep Inch Socket 3/8" Drive 9/16"
HW-1520	6 Point Deep Inch Socket 3/8" Drive 5/8"
HW-1522	6 Point Deep Inch Socket 3/8" Drive 11/16"
HW-1524	6 Point Deep Inch Socket 3/8" Drive 3/4"
HW-1526	6 Point Deep Inch Socket 3/8" Drive 13/16"
HW-1528	6 Point Deep Inch Socket 3/8" Drive 7/8"
HW-1530	6 Point Deep Inch Socket 3/8" Drive 15/16"
HW-1532	6 Point Deep Inch Socket 3/8" Drive 1"
ST-SS1	1/4" Drive Socket Spinner

Blackhawk
BY PROTO

Blackhawk™ by Proto® not available in all countries.





STANLEY
PRO
TOOL

50 PIECE 1/4" & 3/8" DRIVE METRIC COMBINATION SET

Item #: 974850M

- 50 piece metric combination set with wrenches, 1/4 inch drive sockets, 3/8 inch drive sockets, extensions, and pear head ratchet in a blow mold case.
- Weight (lbs): 6.72



Contents	Description
32009M	6 Point Standard Metric Socket 3/8" Drive 9 mm
32010M	6 Point Standard Metric Socket 3/8" Drive 10 mm
32011M	6 Point Standard Metric Socket 3/8" Drive 11 mm
32012M	6 Point Standard Metric Socket 3/8" Drive 12 mm
32013M	6 Point Standard Metric Socket 3/8" Drive 13 mm
32014M	6 Point Standard Metric Socket 3/8" Drive 14 mm
32015M	6 Point Standard Metric Socket 3/8" Drive 15 mm
32016M	6 Point Standard Metric Socket 3/8" Drive 16 mm
32017M	6 Point Standard Metric Socket 3/8" Drive 17 mm
32018M	6 Point Standard Metric Socket 3/8" Drive 18 mm
32019M	6 Point Standard Metric Socket 3/8" Drive 19 mm
34963	3/8" Drive 3/8" x 1/4" Adapter
34984L	3/8" Drive Locking Extension 10"
34988L	3/8" Drive Locking Extension 3"
34989	3/8" Drive Extension 1-3/4"
BP-1338QR	3/8" Drive Quick-Release Ratchet
BW-1260	Non-Reverse Ratcheting Combination Wrench 10mm
BW-1460	Reverse Ratcheting Combination Wrench 10mm
BW-1461	Reverse Ratcheting Combination Wrench 11mm
BW-1462	Reverse Ratcheting Combination Wrench 12mm
BW-1463	Reverse Ratcheting Combination Wrench 13mm
BW-1464	Reverse Ratcheting Combination Wrench 14mm
GW-505M	6 Point Deep Metric Socket 1/4" Drive 5 mm
GW-506M	6 Point Deep Metric Socket 1/4" Drive 6 mm
GW-507M	6 Point Deep Metric Socket 1/4" Drive 7 mm

Contents	Description
GW-508M	6 Point Deep Metric Socket 1/4" Drive 8 mm
GW-509M	6 Point Deep Metric Socket 1/4" Drive 9 mm
GW-510M	6 Point Deep Metric Socket 1/4" Drive 10 mm
GW-511M	6 Point Deep Metric Socket 1/4" Drive 11 mm
GW-512M	6 Point Deep Metric Socket 1/4" Drive 12 mm
GW-606M	6 Point Standard Metric Socket 1/4" Drive 6 mm
GW-607M	6 Point Standard Metric Socket 1/4" Drive 7 mm
GW-608M	6 Point Standard Metric Socket 1/4" Drive 8 mm
GW-609M	6 Point Standard Metric Socket 1/4" Drive 9 mm
GW-610M	6 Point Standard Metric Socket 1/4" Drive 10 mm
GW-611M	6 Point Standard Metric Socket 1/4" Drive 11 mm
GW-612M	6 Point Standard Metric Socket 1/4" Drive 12 mm
GW-613M	6 Point Standard Metric Socket 1/4" Drive 13 mm
HW-1508M	6 Point Deep Metric Socket 3/8" Drive 8 mm
HW-1509M	6 Point Deep Metric Socket 3/8" Drive 9 mm
HW-1510M	6 Point Deep Metric Socket 3/8" Drive 10 mm
HW-1511M	6 Point Deep Metric Socket 3/8" Drive 11 mm
HW-1512M	6 Point Deep Metric Socket 3/8" Drive 12 mm
HW-1513M	6 Point Deep Metric Socket 3/8" Drive 13 mm
HW-1514M	6 Point Deep Metric Socket 3/8" Drive 14 mm
HW-1515M	6 Point Deep Metric Socket 3/8" Drive 15 mm
HW-1517M	6 Point Deep Metric Socket 3/8" Drive 17 mm
HW-1518M	6 Point Deep Metric Socket 3/8" Drive 18 mm
HW-1519M	6 Point Deep Metric Socket 3/8" Drive 19 mm
ST-SS1	1/4" Drive Socket Spinner



44 PIECE 3/8" & 1/2" DRIVE COMBINATION SET

Item #: 978250

- 44 piece fractional combination set with 3/8 inch drive sockets, 1/2 inch drive sockets, extensions, and pear head ratchet in a blow mold case.
- Weight (lbs): 12.88



Contents	Description
30010A	12 Point Standard Inch Socket 3/8" Drive 5/16"
30012	12 Point Standard Inch Socket 3/8" Drive 3/8"
30014	12 Point Standard Inch Socket 3/8" Drive 7/16"
30016	12 Point Standard Inch Socket 3/8" Drive 1/2"
30018	12 Point Standard Inch Socket 3/8" Drive 9/16"
30020	12 Point Standard Inch Socket 3/8" Drive 5/8"
30022	12 Point Standard Inch Socket 3/8" Drive 11/16"
30024	12 Point Standard Inch Socket 3/8" Drive 3/4"
30026	12 Point Standard Inch Socket 3/8" Drive 13/16"
30028	12 Point Standard Inch Socket 3/8" Drive 7/8"
300301	12 Point Standard Inch Socket 3/8" Drive 15/16"
300321	12 Point Standard Inch Socket 3/8" Drive 1"
34966	3/8" Drive 3/8" x 1/2" Adapter
34984L	3/8" Drive Locking Extension 10"
34987L	3/8" Drive Locking Extension 6"
34988L	3/8" Drive Locking Extension 3"
40112	12 Point Standard Inch Socket 1/2" Drive 3/8"
40114	12 Point Standard Inch Socket 1/2" Drive 7/16"
40116	12 Point Standard Inch Socket 1/2" Drive 1/2"
40118	12 Point Standard Inch Socket 1/2" Drive 9/16"
40120	12 Point Standard Inch Socket 1/2" Drive 5/8"
40122	12 Point Standard Inch Socket 1/2" Drive 11/16"

Contents	Description
40124	12 Point Standard Inch Socket 1/2" Drive 3/4"
40126	12 Point Standard Inch Socket 1/2" Drive 13/16"
40128	12 Point Standard Inch Socket 1/2" Drive 7/8"
40130	12 Point Standard Inch Socket 1/2" Drive 15/16"
40132	12 Point Standard Inch Socket 1/2" Drive 1"
40134	12 Point Standard Inch Socket 1/2" Drive 1-1/16"
40136	12 Point Standard Inch Socket 1/2" Drive 1-1/8"
40138	12 Point Standard Inch Socket 1/2" Drive 1-3/16"
40140	12 Point Standard Inch Socket 1/2" Drive 1-1/4"
40144A	12 Point Standard Inch Socket 1/2" Drive 1-1/2"
40416	6 Point Deep Inch Socket 1/2" Drive 1/2"
40418	6 Point Deep Inch Socket 1/2" Drive 9/16"
40420	6 Point Deep Inch Socket 1/2" Drive 5/8"
40422	6 Point Deep Inch Socket 1/2" Drive 11/16"
40424	6 Point Deep Inch Socket 1/2" Drive 3/4"
40426	6 Point Deep Inch Socket 1/2" Drive 13/16"
40428	6 Point Deep Inch Socket 1/2" Drive 7/8"
40430	6 Point Deep Inch Socket 1/2" Drive 15/16"
40432	6 Point Deep Inch Socket 1/2" Drive 1"
40434	6 Point Deep Inch Socket 1/2" Drive 1-1/16"
40436	6 Point Deep Inch Socket 1/2" Drive 1-1/8"
BP-1338QR	3/8" Drive Quick-Release Ratchet





STANLEY
PRO
TOOL

44 PIECE 3/8" & 1/2" DRIVE METRIC COMBINATION SET

Item #: 978250M

- 44 piece metric combination set with 3/8 inch drive sockets, 1/2 inch drive sockets, extensions, and pear head ratchet in a blow mold case.
- Weight (lbs): 8.39



Contents	Description
34010M	12 Point Standard Metric Socket 3/8" Drive 10 mm
34011M	12 Point Standard Metric Socket 3/8" Drive 11 mm
34012M	12 Point Standard Metric Socket 3/8" Drive 12 mm
34013M	12 Point Standard Metric Socket 3/8" Drive 13 mm
34014M	12 Point Standard Metric Socket 3/8" Drive 14 mm
34015M	12 Point Standard Metric Socket 3/8" Drive 15 mm
34016M	12 Point Standard Metric Socket 3/8" Drive 16 mm
34017M	12 Point Standard Metric Socket 3/8" Drive 17 mm
34019M	12 Point Standard Metric Socket 3/8" Drive 19 mm
34020M	12 Point Standard Metric Socket 3/8" Drive 20 mm
34021M	12 Point Standard Inch Socket 3/8" Drive 21 mm
34022M	12 Point Standard Inch Socket 3/8" Drive 22 mm
34966	3/8" Drive 3/8" x 1/2" Adapter
34984L	3/8" Drive Locking Extension 10"
34987L	3/8" Drive Locking Extension 6"
34988L	3/8" Drive Locking Extension 3"
42015M	12 Point Standard Metric Socket 1/2" Drive 15 mm
42017M	12 Point Standard Metric Socket 1/2" Drive 17 mm
42019M	12 Point Standard Metric Socket 1/2" Drive 19 mm
42021M	12 Point Standard Metric Socket 1/2" Drive 21 mm
42022M	12 Point Standard Metric Socket 1/2" Drive 22 mm
42024M	12 Point Standard Metric Socket 1/2" Drive 24 mm

Contents	Description
42025M	12 Point Standard Metric Socket 1/2" Drive 25 mm
42026M	12 Point Standard Metric Socket 1/2" Drive 26 mm
42027M	12 Point Standard Metric Socket 1/2" Drive 27 mm
42028M	12 Point Standard Metric Socket 1/2" Drive 28 mm
42030M	12 Point Standard Metric Socket 1/2" Drive 30 mm
43010M	12 Point Standard Metric Socket 1/2" Drive 10 mm
43011M	12 Point Standard Metric Socket 1/2" Drive 11 mm
43012M	12 Point Standard Metric Socket 1/2" Drive 12 mm
43013M	12 Point Standard Metric Socket 1/2" Drive 13 mm
43014M	12 Point Standard Metric Socket 1/2" Drive 14 mm
45010M	6 Point Deep Metric Socket 1/2" Drive 10 mm
45011M	6 Point Deep Metric Socket 1/2" Drive 11 mm
45012M	6 Point Deep Metric Socket 1/2" Drive 12 mm
45013M	6 Point Deep Metric Socket 1/2" Drive 13 mm
45014M	6 Point Deep Metric Socket 1/2" Drive 14 mm
45015M	6 Point Deep Metric Socket 1/2" Drive 15 mm
45016M	6 Point Deep Metric Socket 1/2" Drive 16 mm
45017M	6 Point Deep Metric Socket 1/2" Drive 17 mm
45018M	6 Point Deep Metric Socket 1/2" Drive 18 mm
45019M	6 Point Deep Metric Socket 1/2" Drive 19 mm
45020M	6 Point Deep Metric Socket 1/2" Drive 20 mm
BP-1338QR	3/8" Drive Quick-Release Ratchet



40 PIECE 3/8" DRIVE COMBINATION SET

Item #: 974840

- 40 piece fractional combination set with wrenches, 3/8 inch drive sockets, extensions, and pear head ratchet in a blow mold case.
- Weight (lbs): 8.37



Contents	Description
30010A	12 Point Standard Inch Socket 3/8" Drive 5/16"
30012	12 Point Standard Inch Socket 3/8" Drive 3/8"
30014	12 Point Standard Inch Socket 3/8" Drive 7/16"
30016	12 Point Standard Inch Socket 3/8" Drive 1/2"
30018	12 Point Standard Inch Socket 3/8" Drive 9/16"
30020	12 Point Standard Inch Socket 3/8" Drive 5/8"
30022	12 Point Standard Inch Socket 3/8" Drive 11/16"
30024	12 Point Standard Inch Socket 3/8" Drive 3/4"
30026	12 Point Standard Inch Socket 3/8" Drive 13/16"
30028	12 Point Standard Inch Socket 3/8" Drive 7/8"
300301	12 Point Standard Inch Socket 3/8" Drive 15/16"
300321	12 Point Standard Inch Socket 3/8" Drive 1"
30412	12 Point Deep Inch Socket 3/8" Drive 3/8"
30414	12 Point Deep Inch Socket 3/8" Drive 7/16"
30416	12 Point Deep Inch Socket 3/8" Drive 1/2"
30418	12 Point Deep Inch Socket 3/8" Drive 9/16"
30420	12 Point Deep Inch Socket 3/8" Drive 5/8"
30422	12 Point Deep Inch Socket 3/8" Drive 11/16"
30424	12 Point Deep Inch Socket 3/8" Drive 3/4"
30426	12 Point Deep Inch Socket 3/8" Drive 13/16"

Contents	Description
30428	12 Point Deep Inch Socket 3/8" Drive 7/8"
30430	12 Point Deep Inch Socket 3/8" Drive 15/16"
30432	12 Point Deep Inch Socket 3/8" Drive 1"
34984L	3/8" Drive Locking Extension 10"
34987L	3/8" Drive Locking Extension 6"
34989	3/8" Drive Extension 1-3/4"
BP-1338QR	3/8" Drive Quick-Release Ratchet
BW-1403	Reverse Ratcheting Combination Wrench 7/32"
BW-1405	Reverse Ratcheting Combination Wrench 1/4"
BW-1410	Reverse Ratcheting Combination Wrench 5/16"
BW-1412	Reverse Ratcheting Combination Wrench 3/8"
BW-1414	Reverse Ratcheting Combination Wrench 7/16"
BW-1416	Reverse Ratcheting Combination Wrench 1/2"
BW-1418	Reverse Ratcheting Combination Wrench 9/16"
BW-1420	Reverse Ratcheting Combination Wrench 5/8"
BW-1422	Reverse Ratcheting Combination Wrench 11/16"
BW-1424	Reverse Ratcheting Combination Wrench 3/4"
HW-9442-2	3/8" Drive Hex Bit Socket - 1/8"
HW-9443-2	3/8" Drive Hex Bit Socket - 9/64"
HW-9444-2	3/8" Drive Hex Bit Socket - 5/32"

Blackhawk
BY PROTO

Blackhawk™ by Proto® not available in all countries.

GENERAL PURPOSE
TOOL KITS

54





STANLEY
PRO
TOOL

40 PIECE 3/8" DRIVE METRIC COMBINATION SET

Item #: 974840M

- 40 piece metric combination set with wrenches, 3/8 inch drive sockets, extensions, and pear head ratchet in a blow mold case.
- Weight (lbs): 6.62



Contents	Description
34007M	12 Point Standard Metric Socket 3/8" Drive 7 mm
34008M	12 Point Standard Metric Socket 3/8" Drive 8 mm
34009M	12 Point Standard Metric Socket 3/8" Drive 9 mm
34010M	12 Point Standard Metric Socket 3/8" Drive 10 mm
34011M	12 Point Standard Metric Socket 3/8" Drive 11 mm
34012M	12 Point Standard Metric Socket 3/8" Drive 12 mm
34013M	12 Point Standard Metric Socket 3/8" Drive 13 mm
34014M	12 Point Standard Metric Socket 3/8" Drive 14 mm
34015M	12 Point Standard Metric Socket 3/8" Drive 15 mm
34016M	12 Point Standard Metric Socket 3/8" Drive 16 mm
34017M	12 Point Standard Metric Socket 3/8" Drive 17 mm
34018M	12 Point Standard Metric Socket 3/8" Drive 18 mm
34984L	3/8" Drive Locking Extension 10"
34987L	3/8" Drive Locking Extension 6"
34989	3/8" Drive Extension 1-3/4"
BP-1338QR	3/8" Drive Quick-Release Ratchet
BW-1458	Reverse Ratcheting Combination Wrench 8mm
BW-1459	Reverse Ratcheting Combination Wrench 9mm
BW-1460	Reverse Ratcheting Combination Wrench 10mm
BW-1461	Reverse Ratcheting Combination Wrench 11mm

Contents	Description
BW-1462	Reverse Ratcheting Combination Wrench 12mm
BW-1463	Reverse Ratcheting Combination Wrench 13mm
BW-1464	Reverse Ratcheting Combination Wrench 14mm
BW-1465	Reverse Ratcheting Combination Wrench 15mm
BW-1467	Reverse Ratcheting Combination Wrench 17mm
BW-1468	Reverse Ratcheting Combination Wrench 18mm
HW-1507M	6 Point Deep Metric Socket 3/8" Drive 7 mm
HW-1508M	6 Point Deep Metric Socket 3/8" Drive 8 mm
HW-1509M	6 Point Deep Metric Socket 3/8" Drive 9 mm
HW-1510M	6 Point Deep Metric Socket 3/8" Drive 10 mm
HW-1511M	6 Point Deep Metric Socket 3/8" Drive 11 mm
HW-1512M	6 Point Deep Metric Socket 3/8" Drive 12 mm
HW-1513M	6 Point Deep Metric Socket 3/8" Drive 13 mm
HW-1514M	6 Point Deep Metric Socket 3/8" Drive 14 mm
HW-1515M	6 Point Deep Metric Socket 3/8" Drive 15 mm
HW-1517M	6 Point Deep Metric Socket 3/8" Drive 17 mm
HW-1518M	6 Point Deep Metric Socket 3/8" Drive 18 mm
HW-9404M-2	3/8" Drive Hex Bit Socket - 4 mm
HW-9405M-2	3/8" Drive Hex Bit Socket - 5 mm
HW-9406M-2	3/8" Drive Hex Bit Socket - 6 mm



40 PIECE 3/8" & 1/2" DRIVE COMBINATION SET

Item #: 978240

- 40 piece fractional combination set with 3/8 inch drive sockets, 1/2 inch drive sockets, extensions, and pear head ratchet in a blow mold case.
- Weight (lbs): 7.91



Contents	Description
30010	6 Point Standard Inch Socket 3/8" Drive 5/16"
30608	6 Point Standard Inch Socket 3/8" Drive 1/4"
30612	6 Point Standard Inch Socket 3/8" Drive 3/8"
30614	6 Point Standard Inch Socket 3/8" Drive 7/16"
30616	6 Point Standard Inch Socket 3/8" Drive 1/2"
30618	6 Point Standard Inch Socket 3/8" Drive 9/16"
30620	6 Point Standard Inch Socket 3/8" Drive 5/8"
30622	6 Point Standard Inch Socket 3/8" Drive 11/16"
30624	6 Point Standard Inch Socket 3/8" Drive 3/4"
30626	6 Point Standard Inch Socket 3/8" Drive 13/16"
30628	6 Point Standard Inch Socket 3/8" Drive 7/8"
30630	6 Point Standard Inch Socket 3/8" Drive 15/16"
30632	6 Point Standard Inch Socket 3/8" Drive 1"
34966	3/8" Drive 3/8" x 1/2" Adapter
34984L	3/8" Drive Locking Extension 10"
34987L	3/8" Drive Locking Extension 6"
34988L	3/8" Drive Locking Extension 3"
40612	6 Point Standard Inch Socket 1/2" Drive 3/8"
40614	1/2" Drive Standard Inch Socket 7/16"
40616	6 Point Standard Inch Socket 1/2" Drive 1/2"

Contents	Description
40618	6 Point Standard Inch Socket 1/2" Drive 9/16"
40620	6 Point Standard Inch Socket 1/2" Drive 5/8"
40622	6 Point Standard Inch Socket 1/2" Drive 11/16"
40624	6 Point Standard Inch Socket 1/2" Drive 3/4"
40626	1/2" Drive Standard Inch Socket 13/16"
40628	1/2" Drive Standard Inch Socket 7/8"
40630	6 Point Standard Inch Socket 1/2" Drive 15/16"
40632	6 Point Standard Inch Socket 1/2" Drive 1"
BP-1338QR	3/8" Drive Quick-Release Ratchet
HW-1510	6 Point Deep Inch Socket 3/8" Drive 5/16"
HW-1512	6 Point Deep Inch Socket 3/8" Drive 3/8"
HW-1514	6 Point Deep Inch Socket 3/8" Drive 7/16"
HW-1516	6 Point Deep Inch Socket 3/8" Drive 1/2"
HW-1518	6 Point Deep Inch Socket 3/8" Drive 9/16"
HW-1520	6 Point Deep Inch Socket 3/8" Drive 5/8"
HW-1522	6 Point Deep Inch Socket 3/8" Drive 11/16"
HW-1524	6 Point Deep Inch Socket 3/8" Drive 3/4"
HW-1526	6 Point Deep Inch Socket 3/8" Drive 13/16"
HW-1528	6 Point Deep Inch Socket 3/8" Drive 7/8"
HW-1530	6 Point Deep Inch Socket 3/8" Drive 15/16"





STANLEY
STANDARD TOOLS

40 PIECE 3/8" & 1/2" DRIVE METRIC COMBINATION SET

Item #: 978240M

- 40 piece metric combination set with 3/8 inch drive sockets, 1/2 inch drive sockets, extensions, and pear head ratchet in a blow mold case.
- Weight (lbs): 6.43



Contents	Description
32007M	6 Point Standard Metric Socket 3/8" Drive 7 mm
32008M	6 Point Standard Metric Socket 3/8" Drive 8 mm
32009M	6 Point Standard Metric Socket 3/8" Drive 9 mm
32010M	6 Point Standard Metric Socket 3/8" Drive 10 mm
32011M	6 Point Standard Metric Socket 3/8" Drive 11 mm
32012M	6 Point Standard Metric Socket 3/8" Drive 12 mm
32013M	6 Point Standard Metric Socket 3/8" Drive 13 mm
32014M	6 Point Standard Metric Socket 3/8" Drive 14 mm
32015M	6 Point Standard Metric Socket 3/8" Drive 15 mm
32016M	6 Point Standard Metric Socket 3/8" Drive 16 mm
32017M	6 Point Standard Metric Socket 3/8" Drive 17 mm
32018M	6 Point Standard Metric Socket 3/8" Drive 18 mm
32019M	6 Point Standard Metric Socket 3/8" Drive 19 mm
34966	3/8" Drive 3/8" x 1/2" Adapter
34984L	3/8" Drive Locking Extension 10"
34987L	3/8" Drive Locking Extension 6"
34988L	3/8" Drive Locking Extension 3"
42010M	6 Point Standard Metric Socket 1/2" Drive 10 mm
42011M	6 Point Standard Metric Socket 1/2" Drive 11 mm
42012M	6 Point Standard Metric Socket 1/2" Drive 12 mm

Contents	Description
42013M	6 Point Standard Metric Socket 1/2" Drive 13 mm
42014M	6 Point Standard Metric Socket 1/2" Drive 14 mm
43015M	12 Point Standard Metric Socket 1/2" Drive 15 mm
43017M	6 Point Standard Metric Socket 1/2" Drive 17 mm
43019M	6 Point Standard Metric Socket 1/2" Drive 19 mm
43021M	6 Point Standard Metric Socket 1/2" Drive 21 mm
43022M	6 Point Standard Metric Socket 1/2" Drive 22 mm
43023M	6 Point Standard Metric Socket 1/2" Drive 23 mm
BP-1338QR	3/8" Drive Quick-Release Ratchet
HW-1507M	6 Point Deep Metric Socket 3/8" Drive 7 mm
HW-1508M	6 Point Deep Metric Socket 3/8" Drive 8 mm
HW-1509M	6 Point Deep Metric Socket 3/8" Drive 9 mm
HW-1510M	6 Point Deep Metric Socket 3/8" Drive 10 mm
HW-1511M	6 Point Deep Metric Socket 3/8" Drive 11 mm
HW-1512M	6 Point Deep Metric Socket 3/8" Drive 12 mm
HW-1513M	6 Point Deep Metric Socket 3/8" Drive 13 mm
HW-1514M	6 Point Deep Metric Socket 3/8" Drive 14 mm
HW-1515M	6 Point Deep Metric Socket 3/8" Drive 15 mm
HW-1517M	6 Point Deep Metric Socket 3/8" Drive 17 mm
HW-1518M	6 Point Deep Metric Socket 3/8" Drive 18 mm



25 PIECE 3/8" & 1/2" DRIVE COMBINATION SET

Item #: 978225

- 25 piece fractional combination set with 3/8 inch drive sockets, 1/2 inch drive sockets, extensions, and pear head ratchet in a blow mold case.
- Weight (lbs): 4.54



Contents	Description
30010A	12 Point Standard Inch Socket 3/8" Drive 5/16"
30012	12 Point Standard Inch Socket 3/8" Drive 3/8"
30014	12 Point Standard Inch Socket 3/8" Drive 7/16"
30016	12 Point Standard Inch Socket 3/8" Drive 1/2"
30018	12 Point Standard Inch Socket 3/8" Drive 9/16"
30020	12 Point Standard Inch Socket 3/8" Drive 5/8"
30022	12 Point Standard Inch Socket 3/8" Drive 11/16"
30024	12 Point Standard Inch Socket 3/8" Drive 3/4"
30026	12 Point Standard Inch Socket 3/8" Drive 13/16"
30028	12 Point Standard Inch Socket 3/8" Drive 7/8"
300301	12 Point Standard Inch Socket 3/8" Drive 15/16"
300321	12 Point Standard Inch Socket 3/8" Drive 1"
34966	3/8" Drive 3/8" x 1/2" Adapter

Contents	Description
34984L	3/8" Drive Locking Extension 10"
34987L	3/8" Drive Locking Extension 6"
40112	12 Point Standard Inch Socket 1/2" Drive 3/8"
40114	12 Point Standard Inch Socket 1/2" Drive 7/16"
40116	12 Point Standard Inch Socket 1/2" Drive 1/2"
40118	12 Point Standard Inch Socket 1/2" Drive 9/16"
40120	12 Point Standard Inch Socket 1/2" Drive 5/8"
40122	12 Point Standard Inch Socket 1/2" Drive 11/16"
40124	12 Point Standard Inch Socket 1/2" Drive 3/4"
40126	12 Point Standard Inch Socket 1/2" Drive 13/16"
40128	12 Point Standard Inch Socket 1/2" Drive 7/8"
BP-1338QR	3/8" Drive Quick-Release Ratchet



STANLEY
PRO
TOOL

25 PIECE 3/8" & 1/2" DRIVE METRIC COMBINATION SET

Item #: 978225M

- 25 piece metric combination set with 3/8 inch drive sockets, 1/2 inch drive sockets, extensions, and pear head ratchet in a blow mold case.
- Weight (lbs): 3.94



Contents	Description
34007M	12 Point Standard Metric Socket 3/8" Drive 7 mm
34008M	12 Point Standard Metric Socket 3/8" Drive 8 mm
34009M	12 Point Standard Metric Socket 3/8" Drive 9 mm
34010M	12 Point Standard Metric Socket 3/8" Drive 10 mm
34011M	12 Point Standard Metric Socket 3/8" Drive 11 mm
34012M	12 Point Standard Metric Socket 3/8" Drive 12 mm
34013M	12 Point Standard Metric Socket 3/8" Drive 13 mm
34014M	12 Point Standard Metric Socket 3/8" Drive 14 mm
34015M	12 Point Standard Metric Socket 3/8" Drive 15 mm
34016M	12 Point Standard Metric Socket 3/8" Drive 16 mm
34017M	12 Point Standard Metric Socket 3/8" Drive 17 mm
34018M	12 Point Standard Metric Socket 3/8" Drive 18 mm
34966	3/8" Drive 3/8" x 1/2" Adapter

Contents	Description
34984L	3/8" Drive Locking Extension 10"
34987L	3/8" Drive Locking Extension 6"
42015M	12 Point Standard Metric Socket 1/2" Drive 15 mm
42016M	12 Point Standard Metric Socket 1/2" Drive 16 mm
42017M	12 Point Standard Metric Socket 1/2" Drive 17 mm
42018M	12 Point Standard Metric Socket 1/2" Drive 18 mm
43010M	12 Point Standard Metric Socket 1/2" Drive 10 mm
43011M	12 Point Standard Metric Socket 1/2" Drive 11 mm
43012M	12 Point Standard Metric Socket 1/2" Drive 12 mm
43013M	12 Point Standard Metric Socket 1/2" Drive 13 mm
43014M	12 Point Standard Metric Socket 1/2" Drive 14 mm
BP-1338QR	3/8" Drive Quick-Release Ratchet



22 PIECE 3/8" DRIVE COMBINATION SET

Item #: 974822

- 22 piece fractional combination set with wrenches, 3/8 inch drive sockets, extensions, and pear head ratchet in a blow mold case.
- Weight (lbs): 4.97



Contents	Description
30010	6 Point Standard Inch Socket 3/8" Drive 5/16"
30608	6 Point Standard Inch Socket 3/8" Drive 1/4"
30612	6 Point Standard Inch Socket 3/8" Drive 3/8"
30614	6 Point Standard Inch Socket 3/8" Drive 7/16"
30616	6 Point Standard Inch Socket 3/8" Drive 1/2"
30618	6 Point Standard Inch Socket 3/8" Drive 9/16"
30620	6 Point Standard Inch Socket 3/8" Drive 5/8"
30622	6 Point Standard Inch Socket 3/8" Drive 11/16"
30624	6 Point Standard Inch Socket 3/8" Drive 3/4"
30626	6 Point Standard Inch Socket 3/8" Drive 13/16"
34984L	3/8" Drive Locking Extension 10"

Contents	Description
34987L	3/8" Drive Locking Extension 6"
34989	3/8" Drive Extension 1-3/4"
BP-1338QR	3/8" Drive Quick-Release Ratchet
BW-1210	Non-Reverse Ratcheting Combination Wrench 3/8"
BW-1212	Non-Reverse Ratcheting Combination Wrench 7/16"
BW-1214	Non-Reverse Ratcheting Combination Wrench 1/2"
BW-1216	Non-Reverse Ratcheting Combination Wrench 9/16"
BW-1218	Non-Reverse Ratcheting Combination Wrench 5/8"
BW-1220	Non-Reverse Ratcheting Combination Wrench 11/16"
BW-1222	Non-Reverse Ratcheting Combination Wrench 3/4"
HW-1520S	3/8" Drive Spark Plug Socket 5/8"





Standard Wrenches

22 PIECE 3/8" DRIVE METRIC COMBINATION SET

Item #: 974822M

- 22 piece metric combination set with wrenches, 3/8 inch drive sockets, extensions, and pear head ratchet in a blow mold case.
- Weight (lbs): 4.53



Contents	Description
32008M	6 Point Standard Metric Socket 3/8" Drive 8 mm
32010M	6 Point Standard Metric Socket 3/8" Drive 10 mm
32011M	6 Point Standard Metric Socket 3/8" Drive 11 mm
32012M	6 Point Standard Metric Socket 3/8" Drive 12 mm
32013M	6 Point Standard Metric Socket 3/8" Drive 13 mm
32014M	6 Point Standard Metric Socket 3/8" Drive 14 mm
32015M	6 Point Standard Metric Socket 3/8" Drive 15 mm
32016M	6 Point Standard Metric Socket 3/8" Drive 16 mm
32017M	6 Point Standard Metric Socket 3/8" Drive 17 mm
32018M	6 Point Standard Metric Socket 3/8" Drive 18 mm
34984L	3/8" Drive Locking Extension 10"

Contents	Description
34987L	3/8" Drive Locking Extension 6"
34989	3/8" Drive Extension 1-3/4"
BP-1338QR	3/8" Drive Quick-Release Ratchet
BW-1260	Non-Reverse Ratcheting Combination Wrench 10mm
BW-12605	Non-Reverse Ratcheting Combination Wrench 11mm
BW-1261	Non-Reverse Ratcheting Combination Wrench 12mm
BW-1262	Non-Reverse Ratcheting Combination Wrench 13mm
BW-1263	Non-Reverse Ratcheting Combination Wrench 14mm
BW-1264	Non-Reverse Ratcheting Combination Wrench 15mm
BW-1265	Non-Reverse Ratcheting Combination Wrench 16mm
HW-1520S	3/8" Drive Spark Plug Socket 5/8"



18 PIECE GENERAL PURPOSE SET

Item #: 97004

- 9 Extended Length Ratcheting Wrenches - SAE
- 2 Ratcheting 4Box™ Wrenches - Metric
- 2 Ratcheting 4Box™ Wrenches - SAE
- 5 Pliers
- Weight (lbs): 6.05



Contents	Description
BW-1306	XL Combination Ratcheting Wrench - 5/16"
BW-1308	XL Combination Ratcheting Wrench - 11/32"
BW-1310	XL Combination Ratcheting Wrench - 3/8"
BW-1312	XL Combination Ratcheting Wrench - 7/16"
BW-1314	XL Combination Ratcheting Wrench - 1/2"
BW-1316	XL Combination Ratcheting Wrench - 9/16"
BW-1318	XL Combination Ratcheting Wrench - 5/8"
BW-1320	XL Combination Ratcheting Wrench - 11/16"
BW-1322	XL Combination Ratcheting Wrench - 3/4"

Contents	Description
BW-1340M	4Box™ Ratcheting Wrench - 8, 9, 10, 11mm
BW-1341	4Box™ Ratcheting Wrench - 5/16, 3/8, 7/16, 1/2"
BW-1342M	4Box™ Ratcheting Wrench - 12, 13, 14, 15mm
BW-1343	4Box™ Ratcheting Wrench - 9/16, 5/8, 11/16, 3/4"
PT-1003-2	8" Slip Joint Pliers
PT-1052-2	6" Diagonal Cutting Pliers
PT-1128-2	6" Needle Nose Cutting Pliers - Heavy Duty
PT-1150-2	5" Diagonal Cutting Pliers
PT-1263-2	8" Rib Lock Pliers





STANLEY
PRO
TOOL

18 PIECE GENERAL PURPOSE SET

Item #: 97003

- 10 Extended Length Ratcheting Wrenches - Metric
- 3 Adjustable Wrenches
- 5 Pliers
- Weight (lbs): 5.08



Contents	Description
AW-1004-2	Adjustable Wrench - 4"
AW-1008-2	Adjustable Wrench - 8"
AW-1012-2	Adjustable Wrench - 12"
BW-1308M	XL Combination Ratcheting Wrench - 8mm
BW-1309M	XL Combination Ratcheting Wrench - 9mm
BW-1310M	XL Combination Ratcheting Wrench - 10mm
BW-1311M	XL Combination Ratcheting Wrench - 11mm
BW-1312M	XL Combination Ratcheting Wrench - 12mm
BW-1313M	XL Combination Ratcheting Wrench - 13mm

Contents	Description
BW-1314M	XL Combination Ratcheting Wrench - 14mm
BW-1315M	XL Combination Ratcheting Wrench - 15mm
BW-1316M	XL Combination Ratcheting Wrench - 16mm
BW-1317M	XL Combination Ratcheting Wrench - 17mm
PT-1003-2	8" Slip Joint Pliers
PT-1052-2	6" Diagonal Cutting Pliers
PT-1128-2	6" Needle Nose Cutting Pliers - Heavy Duty
PT-1150-2	5" Diagonal Cutting Pliers
PT-1263-2	8" Rib Lock Pliers



15 PIECE GENERAL PURPOSE SET

Item #: 97002

- 4 Pliers
 - 1 Adjustable Wrench
 - 2 Cabinet Screwdrivers
 - 2 Phillips® Screwdrivers
 - 6 Pozidriv® Screwdrivers
- Weight (lbs): 4.55



Contents	Description
AW-1012-2	Adjustable Wrench - 12"
PT-1057-2	7" Diagonal Cutting Pliers - Heavy Duty
PT-1108-2	9" Linemans Pliers
PT-1129-2	8" Needle Nose Cutting Pliers - Heavy Duty
PT-1250-2	10" Rib Lock Pliers
ST-353C	9/64" Cabinet Screwdriver - 3" Blade
ST-656C	1/4" Cabinet Screwdriver - 6" Blade
ST-PH0-3	#0 Phillips® Screwdriver - 3" Blade

Contents	Description
ST-PH2-5	#2 Phillips® Screwdriver - 5" Blade
ST-PZ0-3	PZ0 Pozidriv® Screwdriver - 3" Blade
ST-PZ1-4	PZ1 Pozidriv® Screwdriver - 4" Blade
ST-PZ2-5	PZ2 Pozidriv® Screwdriver - 5" Blade
ST-PZ2-5B	PZ2 Pozidriv® Screwdriver - 5" Blade
ST-PZ3-6B	PZ3 Pozidriv® Screwdriver - 6" Blade
ST-PZ4-8B	PZ4 Pozidriv® Screwdriver - 8" Blade





STANLEY
PRO
TOOL

15 PIECE GENERAL PURPOSE SET

Item #: 97001

- 4 Pliers
 - 1 Adjustable Wrench
 - 5 Phillips® Screwdrivers
 - 3 Slotted Screwdrivers
 - 2 Stubby Screwdrivers
- Weight (lbs): 4.15



Contents	Description
AW-1010-2	Adjustable Wrench - 10"
PT-1003-2	8" Slip Joint Pliers
PT-1052-2	6" Diagonal Cutting Pliers
PT-1128-2	6" Needle Nose Cutting Pliers - Heavy Duty
PT-1248-2	12" Rib Lock Pliers
ST-303S	1/8" Slotted Screwdriver - 3" Blade
ST-404S	5/32" Slotted Screwdriver - 4" Blade
ST-655S	1/4" Slotted Screwdriver - 5" Blade

Contents	Description
ST-65SH	1/4" Slotted Stubby Screwdriver - 1-1/4" Blade
ST-807S	5/16" Slotted Screwdriver - 7" Blade
ST-PH00-2	#00 Phillips® Screwdriver - 2" Blade
ST-PH0-3	#0 Phillips® Screwdriver - 3" Blade
ST-PH1-4	#1 Phillips® Screwdriver - 4" Blade
ST-PH2-5	#2 Phillips® Screwdriver - 5" Blade
ST-PH2-SH	#2 Phillips® Stubby Screwdriver - 1-1/4" Blade

Phillips® is trademark of Phillips Screw Company
Pozidriv® is trademark of Phillips Screw Company

1-800-800-TOOL • FAX: 1-770-648-9108 • WWW.STANLEYPROTO.COM



WARNING: WORK SAFELY WITH TOOLS, WEAR SAFETY GOGGLES



TOOL STORAGE

TOP CHESTS, ROLLER CABINETS & HAND HELD STORAGE

Industrial, heavy gauge steel construction with recessed drawers keep drawer handles flush with front and minimize catching clothing and other objects in the work environment. Ball-bearing drawer slides have 100 lbs. capacity for heavy loads, full extension for easy access to complete drawer contents and quick release ball-bearing track slide for easy drawer removal. All roller cabinets and top chests have keyed locks for security and come in high gloss black finish.





ROLLER CABINETS

Item No.	Cabinet Size	# of Drawers
95414R	54"	14
94114R	41"	14
94113R	41"	13
94106R	41"	6
92708R	27"	8
92705R	27"	5

TOP CHESTS

Item No.	Cabinet Size	# of Drawers
95410C	54"	10
94109C	41"	9
94107C	41"	7
92706C	27"	6
92705C	27"	5

SIDE CABINET

Item No.	Cabinet Size	# of Drawers
90007S	15"	7

INTERMEDIATE BOX

Item No.	Cabinet Size	# of Drawers
92703I	27"	3



14 DRAWER, 54" ROLLER WORKSTATION

Item #: 95414R

- 14 Drawers
- Capacity cubic inches: 19,219
- Weight (lbs): 267.0
- Dual ball bearing slides on 8" high drawers
- Black, ribbed rubber work mat to protect top surface
- Painted tubular steel cabinet handle
- Heavy duty 5"x 2" casters (combination locking and swivel)
- 41-1/2"h x 54"w x 18"d



Number of Drawers	Drawer Dimensions	
	Left Bank	Right Bank
1/1	4"h x 24"w x 16"d	4"h x 24"w x 16"d
2/2	2"h x 24"w x 16"d	2"h x 24"w x 16"d
3/3	4"h x 24"w x 16"d	4"h x 24"w x 16"d
1/1	8"h x 24"w x 16"d	8"h x 24"w x 16"d

14 DRAWER, 41" ROLLER CABINET

Item #: 94114R

- 14 Drawers
- Capacity cubic inches: 14,194
- Weight (lbs): 229.0
- Dual ball bearing slides on 8" high drawers
- Black, ribbed rubber work mat to protect top surface
- Painted tubular steel cabinet handle
- Heavy duty 5"x2" casters (combination locking and swivel)
- 41-1/2"h x 41"w x 18"d



Number of Drawers	Drawer Dimensions	
	Left Bank	Right Bank
1/1	4"h x 24"w x 16"d	4"h x 12"w x 16"d
2/2	2"h x 24"w x 16"d	2"h x 12"w x 16"d
3/3	4"h x 24"w x 16"d	4"h x 12"w x 16"d
1/1	8"h x 24"w x 16"d	8"h x 12"w x 16"d

Blackhawk™ by Proto® Storage Combinations - Designed to Work Together

	Chests					Accessories	
	95410C	94109C	94107C	92706C	92705C	90007S	92703I
Cabinets	95414R	X	X	X	X	X	27"w
	94114R		X	X	X	X	27"w
	94113R		X	X	X	X	27"w
	94106R		X	X	X	X	27"w
	92708R			X	X	X	Exact Fit
	92705R			X	X		Exact Fit



13 DRAWER, 41" ROLLER CABINET

Item #: 94113R

- 13 Drawers
- Capacity cubic inches: 14,365
- Weight (lbs): 211.0
- Dual ball bearing slides on 8" high drawers
- Black, ribbed rubber work mat to protect top surface
- Painted tubular steel cabinet handle
- Heavy duty 5"x2" casters (combination locking and swivel)
- 41-1/2"h x 41"w x 18"d

Number of Drawers	Drawer Dimensions	
	Left Bank	Right Bank
1/1	4"h x 37"w x 16"d	—
2/2	2"h x 24"w x 16"d	2"h x 12"w x 16"d
3/3	4"h x 24"w x 16"d	4"h x 12"w x 16"d
1/1	8"h x 24"w x 16"d	8"h x 12"w x 16"d



6 DRAWER, 41" ROLLER CABINET

Item #: 94106R

- 6 Drawers
- Capacity cubic inches: 15,644
- Weight (lbs): 191.0
- Dual ball bearing slides on 8" high drawers
- Black, ribbed rubber work mat to protect top surface
- Painted tubular steel cabinet handle
- Heavy duty 5"x2" casters (combination locking and swivel)
- 41-1/2"h x 41"w x 18"d

Number of Drawers	Drawer Dimensions
5	4"h x 37"w x 16"d
1	8"h x 37"w x 16"d



8 DRAWER, 27" ROLLER CABINET

Item #: 92708R

- 8 Drawers
- Capacity cubic inches: 9,450
- Weight (lbs): 144.0
- Dual ball bearing slides on 8" high drawers
- Black, ribbed rubber work mat to protect top surface
- Painted tubular steel cabinet handle
- Heavy duty 5"x2" casters (combination locking and swivel)
- 41-1/2"h x 27"w x 18"d

Number of Drawers	Drawer Dimensions
1	4"h x 24"w x 16"d
4	2"h x 24"w x 16"d
2	4"h x 24"w x 16"d
1	8"h x 24"w x 16"d



5 DRAWER, 27" ROLLER CABINET

Item #: 92705R

- 5 Drawers
- Capacity cubic inches: 7,630
- Weight (lbs): 112.0
- Dual ball bearing slides on 8" high drawers
- Black, ribbed rubber work mat to protect top surface
- Painted tubular steel cabinet handle
- Heavy duty 5"x2" casters (combination locking and swivel)
- 35"h x 27"w x 18"d

Number of Drawers	Drawer Dimensions
1	4"h x 24"w x 16"d
1	2"h x 24"w x 16"d
2	4"h x 24"w x 16"d
1	8"h x 24"w x 16"d



10 DRAWER, 54" TOP CHEST

Item #: 95410C

- 10 Drawers
- Capacity cubic inches: 12,491
- Weight (lbs): 187.0
- Full width lid hinge
- Gas shocks for top lid
- 23"h x 54"w x 18"d

Number of Drawers	Drawer Dimensions	
	Left Bank	Right Bank
3/3	2"h x 24"w x 16"d	2"h x 24"w x 16"d
2/2	4"h x 24"w x 16"d	4"h x 24"w x 16"d



Blackhawk™ by Proto® Storage Combinations - Designed to Work Together

	Chests					Accessories	
	95410C	94109C	94107C	92706C	92705C	90007S	92703I
Cabinets							
95414R	X	X	X	X	X	X	27" w
94114R		X	X	X	X	X	27" w
94113R		X	X	X	X	X	27" w
94106R		X	X	X	X	X	27" w
92708R				X	X	X	Exact Fit
92705R				X	X		Exact Fit



9 DRAWER, 41" TOP CHEST

Item #: 94109C

- 9 Drawers
- Capacity cubic inches: 9,347
- Weight (lbs): 148.0
- Full width lid hinge
- Gas shocks for top lid
- 23"h x 41"w x 18"d



Number of Drawers	Drawer Dimensions	
	Left Bank	Right Bank
3/3	2"h x 24"w x 16"d	2"h x 12"w x 16"d
1/2	8"h x 24"w x 16"d	4"h x 12"w x 16"d

6 DRAWER, 27" TOP CHEST

Item #: 92706C

- 6 Drawers
- Capacity cubic inches: 6,037
- Weight (lbs): 86.0
- Full width lid hinge
- Locking lid stays
- Painted side chest handles
- 19"h x 27"w x 18"d



Number of Drawers	Drawer Dimensions
5	2"h x 24"w x 16"d
1	4"h x 24"w x 16"d

7 DRAWER, 41" TOP CHEST

Item #: 94107C

- 7 Drawers
- Capacity cubic inches: 9,500
- Weight (lbs): 138.0
- Full width lid hinge
- Gas shocks for top lid
- 23"h x 41"w x 18"d



Number of Drawers	Drawer Dimensions	
	Left Bank	Right Bank
1/1	2"h x 24"w x 16"d	2"h x 12"w x 16"d
1/1	4"h x 24"w x 16"d	4"h x 12"w x 16"d
2/1	4"h x 24"w x 16"d	8"h x 12"w x 16"d

5 DRAWER, 27" TOP CHEST

Item #: 92705C

- 5 Drawers
- Capacity cubic inches: 6,196
- Weight (lbs): 83.0
- Full width lid hinge
- Locking lid stays
- Painted side chest handles
- 19"h x 27"w x 18"d



Number of Drawers	Drawer Dimensions
3	2"h x 24"w x 16"d
2	4"h x 24"w x 16"d



3 DRAWER, 27" INTERMEDIATE BOX

Item #: 92703I

- 3 Drawers
- Capacity cubic inches: 2,586
- Weight (lbs): 51.0
- 11-1/2" x 27" w x 18" d

Number of Drawers	Drawer Dimensions
2	2" h x 24" w x 16" d
1	4" h x 24" w x 16" d



7 DRAWER SIDE CABINET

Item #: 90007S

- 7 Drawers
- Capacity cubic inches: 4,584
- Weight (lbs): 86.0
- 35" h x 15" w x 18" d

Number of Drawers	Drawer Dimensions
1	4" h x 12" w x 16" d
2	2" h x 12" w x 16" d
3	4" h x 12" w x 16" d
1	8" h x 12" w x 16" d



BLACK HAND BOX WITH TRAY

Item #: 94100B

- Capacity cubic inches: 931
- Weight (lbs): 8.0
- 7" h x 19" w x 7" d



Blackhawk™ by Proto® Storage Combinations - Designed to Work Together

	Chests					Accessories	
	95410C	94109C	94107C	92706C	92705C	90007S	92703I
Cabinets	X	X	X	X	X	X	27" w
		X	X	X	X	X	27" w
		X	X	X	X	X	27" w
		X	X	X	X	X	27" w
				X	X	X	Exact Fit
				X	X		Exact Fit



SOCKETS & ACCESSORIES

DESIGNED TO IMPROVE PRODUCTIVITY

The new series of Blackhawk™ by Proto® pear head ratchets, available in both standard and quick-release styles feature a 72 tooth mechanism which allows greater workability in tight areas. When paired with our Blackhawk™ by Proto® sockets that apply contact on the flat edges of the fastener (not the points), this combination helps to increase the torque on the fastener, reduces rounding, and provides additional safety for the operator. Ratchets, sockets, and accessories are double-nickel chrome plated for a corrosion resistant, full polish finish.



1/4", 3/8" & 1/2" DRIVE 82 PIECE STANDARD AND METRIC SET

Item #: 9782-B

• Weight (lbs): 13.0

Contents	Description
GW-707M	12 Point Standard Metric Socket 1/4" Drive 7 mm
GW-708M	12 Point Standard Metric Socket 1/4" Drive 8 mm
GW-709M	12 Point Standard Metric Socket 1/4" Drive 9 mm
GW-710M	12 Point Standard Metric Socket 1/4" Drive 10 mm
GW-711M	12 Point Standard Metric Socket 1/4" Drive 11 mm
GW-712M	12 Point Standard Metric Socket 1/4" Drive 12 mm
GW-713M	12 Point Standard Metric Socket 1/4" Drive 13 mm
30612	6 Point Standard Inch Socket 3/8" Drive 3/8"
30614	6 Point Standard Inch Socket 3/8" Drive 7/16"
30616	6 Point Standard Inch Socket 3/8" Drive 1/2"
30618	6 Point Standard Inch Socket 3/8" Drive 9/16"
30620	6 Point Standard Inch Socket 3/8" Drive 5/8"
30622	6 Point Standard Inch Socket 3/8" Drive 11/16"
30624	6 Point Standard Inch Socket 3/8" Drive 3/4"
30626	6 Point Standard Inch Socket 3/8" Drive 13/16"
30012	12 Point Standard Inch Socket 3/8" Drive 3/8"
30014	12 Point Standard Inch Socket 3/8" Drive 7/16"
30016	12 Point Standard Inch Socket 3/8" Drive 1/2"
30018	12 Point Standard Inch Socket 3/8" Drive 9/16"
30020	12 Point Standard Inch Socket 3/8" Drive 5/8"
30022	12 Point Standard Inch Socket 3/8" Drive 11/16"
30024	12 Point Standard Inch Socket 3/8" Drive 3/4"
30026	12 Point Standard Inch Socket 3/8" Drive 13/16"
30412	12 Point Deep Inch Socket 3/8" Drive 3/8"
30414	12 Point Deep Inch Socket 3/8" Drive 7/16"
30416	12 Point Deep Inch Socket 3/8" Drive 1/2"
30418	12 Point Deep Inch Socket 3/8" Drive 9/16"
32009M	6 Point Standard Metric Socket 3/8" Drive 9 mm
32010M	6 Point Standard Metric Socket 3/8" Drive 10 mm
32011M	6 Point Standard Metric Socket 3/8" Drive 11 mm
32012M	6 Point Standard Metric Socket 3/8" Drive 12 mm
32013M	6 Point Standard Metric Socket 3/8" Drive 13 mm
32014M	6 Point Standard Metric Socket 3/8" Drive 14 mm
32015M	6 Point Standard Metric Socket 3/8" Drive 15 mm
32017M	6 Point Standard Metric Socket 3/8" Drive 17 mm
32019M	6 Point Standard Metric Socket 3/8" Drive 19 mm
34009M	12 Point Standard Metric Socket 3/8" Drive 9 mm
34010M	12 Point Standard Metric Socket 3/8" Drive 10 mm
34011M	12 Point Standard Metric Socket 3/8" Drive 11 mm
34012M	12 Point Standard Metric Socket 3/8" Drive 12 mm
34013M	12 Point Standard Metric Socket 3/8" Drive 13 mm
34014M	12 Point Standard Metric Socket 3/8" Drive 14 mm
34015M	12 Point Standard Metric Socket 3/8" Drive 15 mm
34016M	12 Point Standard Metric Socket 3/8" Drive 16 mm
34017M	12 Point Standard Metric Socket 3/8" Drive 17 mm
34019M	12 Point Standard Metric Socket 3/8" Drive 19 mm
34945B	3/8" Drive Round Head Knurled Reversible Ratchet



Contents	Description
34988	3/8" Drive 3" Extension
40116	12 Point Standard Inch Socket 1/2" Drive 1/2"
40118	12 Point Standard Inch Socket 1/2" Drive 9/16"
40120	12 Point Standard Inch Socket 1/2" Drive 5/8"
40124	12 Point Standard Inch Socket 1/2" Drive 3/4"
40126	12 Point Standard Inch Socket 1/2" Drive 13/16"
49945B	1/2" Drive Round Head Knurled Reversible Ratchet
GW-1506	6 Point Deep Inch Socket 1/4" Drive 3/16"
GW-1508	6 Point Deep Inch Socket 1/4" Drive 1/4"
GW-1509	6 Point Deep Inch Socket 1/4" Drive 9/32"
GW-1510	6 Point Deep Inch Socket 1/4" Drive 5/16"
GW-1605	6 Point Standard Inch Socket 1/4" Drive 5/32"
GW-1606	6 Point Standard Inch Socket 1/4" Drive 3/16"
GW-1607	6 Point Standard Inch Socket 1/4" Drive 7/32"
GW-1608	6 Point Standard Inch Socket 1/4" Drive 1/4"
GW-1609	6 Point Standard Inch Socket 1/4" Drive 9/32"
GW-1610	6 Point Standard Inch Socket 1/4" Drive 5/16"
GW-1611	6 Point Standard Inch Socket 1/4" Drive 11/32"
GW-1612	6 Point Standard Inch Socket 1/4" Drive 3/8"
GW-1614	6 Point Standard Inch Socket 1/4" Drive 7/16"
GW-1616	6 Point Standard Inch Socket 1/4" Drive 1/2"
GW-1706	12 Point Standard Inch Socket 1/4" Drive 3/16"
GW-1707	12 Point Standard Inch Socket 1/4" Drive 7/32"
GW-1708	12 Point Standard Inch Socket 1/4" Drive 1/4"
GW-1709	12 Point Standard Inch Socket 1/4" Drive 9/32"
GW-1710	12 Point Standard Inch Socket 1/4" Drive 5/16"
GW-1711	12 Point Standard Inch Socket 1/4" Drive 11/32"
GW-1712	12 Point Standard Inch Socket 1/4" Drive 3/8"
GW-1714	12 Point Standard Inch Socket 1/4" Drive 7/16"
GW-1716	12 Point Standard Inch Socket 1/4" Drive 1/2"
GW-604M	6 Point Standard Metric Socket 1/4" Drive 4 mm
GW-605M	6 Point Standard Metric Socket 1/4" Drive 5 mm
GW-606M	6 Point Standard Metric Socket 1/4" Drive 6 mm
GW-9945B	1/4" Drive Round Head Knurled Reversible Ratchet
HW-1520S	3/8" Drive Spark Plug Socket 5/8"



1/4" & 3/8" DRIVE 64 PIECE STANDARD AND METRIC SET

Item #: 97065

• Weight (lbs): 7.1



HAND SOCKETS

MIXED DRIVE SETS

Contents	Description
30012	12 Point Standard Inch Socket 3/8" Drive 3/8"
30014	12 Point Standard Inch Socket 3/8" Drive 7/16"
30016	12 Point Standard Inch Socket 3/8" Drive 1/2"
30018	12 Point Standard Inch Socket 3/8" Drive 9/16"
30020	12 Point Standard Inch Socket 3/8" Drive 5/8"
30022	12 Point Standard Inch Socket 3/8" Drive 11/16"
30024	12 Point Standard Inch Socket 3/8" Drive 3/4"
30612	6 Point Standard Inch Socket 3/8" Drive 3/8"
30614	6 Point Standard Inch Socket 3/8" Drive 7/16"
30616	6 Point Standard Inch Socket 3/8" Drive 1/2"
30618	6 Point Standard Inch Socket 3/8" Drive 9/16"
30620	6 Point Standard Inch Socket 3/8" Drive 5/8"
30622	6 Point Standard Inch Socket 3/8" Drive 11/16"
30624	6 Point Standard Inch Socket 3/8" Drive 3/4"
30626	6 Point Standard Inch Socket 3/8" Drive 13/16"
32010M	6 Point Standard Metric Socket 3/8" Drive 10 mm
32011M	6 Point Standard Metric Socket 3/8" Drive 11 mm
32012M	6 Point Standard Metric Socket 3/8" Drive 12 mm
32013M	6 Point Standard Metric Socket 3/8" Drive 13 mm
32014M	6 Point Standard Metric Socket 3/8" Drive 14 mm
32015M	6 Point Standard Metric Socket 3/8" Drive 15 mm
32017M	6 Point Standard Metric Socket 3/8" Drive 17 mm
32019M	6 Point Standard Metric Socket 3/8" Drive 19 mm
34945B	3/8" Drive Round Head Knurled Reversible Ratchet
34988	3/8" Drive 3" Extension
GW-1508	6 Point Deep Inch Socket 1/4" Drive 1/4"
GW-1509	6 Point Deep Inch Socket 1/4" Drive 9/32"
GW-1510	6 Point Deep Inch Socket 1/4" Drive 5/16"
GW-1511	6 Point Deep Inch Socket 1/4" Drive 11/32"
GW-1605	6 Point Standard Inch Socket 1/4" Drive 5/32"
GW-1606	6 Point Standard Inch Socket 1/4" Drive 3/16"
GW-1607	6 Point Standard Inch Socket 1/4" Drive 7/32"

Contents	Description
GW-1608	6 Point Standard Inch Socket 1/4" Drive 1/4"
GW-1609	6 Point Standard Inch Socket 1/4" Drive 9/32"
GW-1610	6 Point Standard Inch Socket 1/4" Drive 5/16"
GW-1611	6 Point Standard Inch Socket 1/4" Drive 11/32"
GW-1612	6 Point Standard Inch Socket 1/4" Drive 3/8"
GW-1614	6 Point Standard Inch Socket 1/4" Drive 7/16"
GW-1616	6 Point Standard Inch Socket 1/4" Drive 1/2"
GW-1706	12 Point Standard Inch Socket 1/4" Drive 3/16"
GW-1707	12 Point Standard Inch Socket 1/4" Drive 7/32"
GW-1708	12 Point Standard Inch Socket 1/4" Drive 1/4"
GW-1709	12 Point Standard Inch Socket 1/4" Drive 9/32"
GW-1710	12 Point Standard Inch Socket 1/4" Drive 5/16"
GW-1711	12 Point Standard Inch Socket 1/4" Drive 11/32"
GW-1712	12 Point Standard Inch Socket 1/4" Drive 3/8"
GW-1714	12 Point Standard Inch Socket 1/4" Drive 7/16"
GW-1716	12 Point Standard Inch Socket 1/4" Drive 1/2"
GW-604M	6 Point Standard Metric Socket 1/4" Drive 4 mm
GW-605M	6 Point Standard Metric Socket 1/4" Drive 5 mm
GW-606M	6 Point Standard Metric Socket 1/4" Drive 6 mm
GW-607M	6 Point Standard Metric Socket 1/4" Drive 7 mm
GW-608M	6 Point Standard Metric Socket 1/4" Drive 8 mm
GW-609M	6 Point Standard Metric Socket 1/4" Drive 9 mm
GW-610M	6 Point Standard Metric Socket 1/4" Drive 10 mm
GW-611M	6 Point Standard Metric Socket 1/4" Drive 11 mm
GW-612M	6 Point Standard Metric Socket 1/4" Drive 12 mm
GW-613M	6 Point Standard Metric Socket 1/4" Drive 13 mm
GW-9945B	1/4" Drive Round Head Knurled Reversible Ratchet
HW-1512	6 Point Deep Inch Socket 3/8" Drive 3/8"
HW-1514	6 Point Deep Inch Socket 3/8" Drive 7/16"
HW-1516	6 Point Deep Inch Socket 3/8" Drive 1/2"
HW-1518	6 Point Deep Inch Socket 3/8" Drive 9/16"
HW-1520S	3/8" Drive Spark Plug Socket 5/8"



44 PIECE 3/8" & 1/2" DRIVE COMBINATION SET**Item #: 978250**

- 44 piece fractional combination set with 3/8 inch drive sockets, 1/2 inch drive sockets, extensions, and pear head ratchet in a blow mold case.
- Weight (lbs): 12.88



Contents	Description
30010A	12 Point Standard Inch Socket 3/8" Drive 5/16"
30012	12 Point Standard Inch Socket 3/8" Drive 3/8"
30014	12 Point Standard Inch Socket 3/8" Drive 7/16"
30016	12 Point Standard Inch Socket 3/8" Drive 1/2"
30018	12 Point Standard Inch Socket 3/8" Drive 9/16"
30020	12 Point Standard Inch Socket 3/8" Drive 5/8"
30022	12 Point Standard Inch Socket 3/8" Drive 11/16"
30024	12 Point Standard Inch Socket 3/8" Drive 3/4"
30026	12 Point Standard Inch Socket 3/8" Drive 13/16"
30028	12 Point Standard Inch Socket 3/8" Drive 7/8"
300301	12 Point Standard Inch Socket 3/8" Drive 15/16"
300321	12 Point Standard Inch Socket 3/8" Drive 1"
34966	3/8" Drive 3/8" x 1/2" Adapter
34984L	3/8" Drive Locking Extension 10"
34987L	3/8" Drive Locking Extension 6"
34988L	3/8" Drive Locking Extension 3"
40112	12 Point Standard Inch Socket 1/2" Drive 3/8"
40114	12 Point Standard Inch Socket 1/2" Drive 7/16"
40116	12 Point Standard Inch Socket 1/2" Drive 1/2"
40118	12 Point Standard Inch Socket 1/2" Drive 9/16"
40120	12 Point Standard Inch Socket 1/2" Drive 5/8"
40122	12 Point Standard Inch Socket 1/2" Drive 11/16"

Contents	Description
40124	12 Point Standard Inch Socket 1/2" Drive 3/4"
40126	12 Point Standard Inch Socket 1/2" Drive 13/16"
40128	12 Point Standard Inch Socket 1/2" Drive 7/8"
40130	12 Point Standard Inch Socket 1/2" Drive 15/16"
40132	12 Point Standard Inch Socket 1/2" Drive 1"
40134	12 Point Standard Inch Socket 1/2" Drive 1-1/16"
40136	12 Point Standard Inch Socket 1/2" Drive 1-1/8"
40138	12 Point Standard Inch Socket 1/2" Drive 1-3/16"
40140	12 Point Standard Inch Socket 1/2" Drive 1-1/4"
40144A	12 Point Standard Inch Socket 1/2" Drive 1-1/2"
40416	6 Point Deep Inch Socket 1/2" Drive 1/2"
40418	6 Point Deep Inch Socket 1/2" Drive 9/16"
40420	6 Point Deep Inch Socket 1/2" Drive 5/8"
40422	6 Point Deep Inch Socket 1/2" Drive 11/16"
40424	6 Point Deep Inch Socket 1/2" Drive 3/4"
40426	6 Point Deep Inch Socket 1/2" Drive 13/16"
40428	6 Point Deep Inch Socket 1/2" Drive 7/8"
40430	6 Point Deep Inch Socket 1/2" Drive 15/16"
40432	6 Point Deep Inch Socket 1/2" Drive 1"
40434	6 Point Deep Inch Socket 1/2" Drive 1-1/16"
40436	6 Point Deep Inch Socket 1/2" Drive 1-1/8"
BP-1338QR	3/8" Drive Quick-Release Ratchet



44 PIECE 3/8" & 1/2" DRIVE METRIC COMBINATION SET

Item #: 978250M

- 44 piece metric combination set with 3/8 inch drive sockets, 1/2 inch drive sockets, extensions, and pear head ratchet in a blow mold case.
- Weight (lbs): 8.39



HAND SOCKETS

MIXED DRIVE SETS

Contents	Description
34007M	12 Point Standard Metric Socket 3/8" Drive 7 mm
34008M	12 Point Standard Metric Socket 3/8" Drive 8 mm
34009M	12 Point Standard Metric Socket 3/8" Drive 9 mm
34010M	12 Point Standard Metric Socket 3/8" Drive 10 mm
34011M	12 Point Standard Metric Socket 3/8" Drive 11 mm
34012M	12 Point Standard Metric Socket 3/8" Drive 12 mm
34013M	12 Point Standard Metric Socket 3/8" Drive 13 mm
34014M	12 Point Standard Metric Socket 3/8" Drive 14 mm
34015M	12 Point Standard Metric Socket 3/8" Drive 15 mm
34016M	12 Point Standard Metric Socket 3/8" Drive 16 mm
34017M	12 Point Standard Metric Socket 3/8" Drive 17 mm
34018M	12 Point Standard Metric Socket 3/8" Drive 18 mm
34966	3/8" Drive 3/8" x 1/2" Adapter
34984L	3/8" Drive Locking Extension 10"
34987L	3/8" Drive Locking Extension 6"
34988L	3/8" Drive Locking Extension 3"
42013M	6 Point Standard Metric Socket 1/2" Drive 13 mm
42014M	6 Point Standard Metric Socket 1/2" Drive 14 mm
42015M	12 Point Standard Metric Socket 1/2" Drive 15 mm
42016M	12 Point Standard Metric Socket 1/2" Drive 16 mm
42017M	12 Point Standard Metric Socket 1/2" Drive 17 mm
42018M	12 Point Standard Metric Socket 1/2" Drive 18 mm

Contents	Description
42019M	12 Point Standard Metric Socket 1/2" Drive 19 mm
42020M	12 Point Standard Metric Socket 1/2" Drive 20 mm
43010M	12 Point Standard Metric Socket 1/2" Drive 10 mm
43011M	12 Point Standard Metric Socket 1/2" Drive 11 mm
43012M	12 Point Standard Metric Socket 1/2" Drive 12 mm
43013M	12 Point Standard Metric Socket 1/2" Drive 13 mm
43014M	12 Point Standard Metric Socket 1/2" Drive 14 mm
43015M	12 Point Standard Metric Socket 1/2" Drive 15 mm
43017M	6 Point Standard Metric Socket 1/2" Drive 17 mm
43019M	6 Point Standard Metric Socket 1/2" Drive 19 mm
45010M	6 Point Deep Metric Socket 1/2" Drive 10 mm
45011M	6 Point Deep Metric Socket 1/2" Drive 11 mm
45012M	6 Point Deep Metric Socket 1/2" Drive 12 mm
45013M	6 Point Deep Metric Socket 1/2" Drive 13 mm
45014M	6 Point Deep Metric Socket 1/2" Drive 14 mm
45015M	6 Point Deep Metric Socket 1/2" Drive 15 mm
45016M	6 Point Deep Metric Socket 1/2" Drive 16 mm
45017M	6 Point Deep Metric Socket 1/2" Drive 17 mm
45018M	6 Point Deep Metric Socket 1/2" Drive 18 mm
45019M	6 Point Deep Metric Socket 1/2" Drive 19 mm
45020M	6 Point Deep Metric Socket 1/2" Drive 20 mm
BP-1338QR	3/8" Drive Quick-Release Ratchet



40 PIECE 3/8" & 1/2" DRIVE COMBINATION SET**Item #: 978240**

- 40 piece fractional combination set with 3/8 inch drive sockets, 1/2 inch drive sockets, extensions, and pear head ratchet in a blow mold case.
- Weight (lbs): 7.91



Contents	Description
30010	6 Point Standard Inch Socket 3/8" Drive 5/16"
30608	6 Point Standard Inch Socket 3/8" Drive 1/4"
30612	6 Point Standard Inch Socket 3/8" Drive 3/8"
30614	6 Point Standard Inch Socket 3/8" Drive 7/16"
30616	6 Point Standard Inch Socket 3/8" Drive 1/2"
30618	6 Point Standard Inch Socket 3/8" Drive 9/16"
30620	6 Point Standard Inch Socket 3/8" Drive 5/8"
30622	6 Point Standard Inch Socket 3/8" Drive 11/16"
30624	6 Point Standard Inch Socket 3/8" Drive 3/4"
30626	6 Point Standard Inch Socket 3/8" Drive 13/16"
30628	6 Point Standard Inch Socket 3/8" Drive 7/8"
30630	6 Point Standard Inch Socket 3/8" Drive 15/16"
30632	6 Point Standard Inch Socket 3/8" Drive 1"
34966	3/8" Drive 3/8" x 1/2" Adapter
34984L	3/8" Drive Locking Extension 10"
34987L	3/8" Drive Locking Extension 6"
34988L	3/8" Drive Locking Extension 3"
40612	6 Point Standard Inch Socket 1/2" Drive 3/8"
40614	1/2" Drive Standard Inch Socket 7/16"
40616	6 Point Standard Inch Socket 1/2" Drive 1/2"

Contents	Description
40618	6 Point Standard Inch Socket 1/2" Drive 9/16"
40620	6 Point Standard Inch Socket 1/2" Drive 5/8"
40622	6 Point Standard Inch Socket 1/2" Drive 11/16"
40624	6 Point Standard Inch Socket 1/2" Drive 3/4"
40626	1/2" Drive Standard Inch Socket 13/16"
40628	1/2" Drive Standard Inch Socket 7/8"
40630	6 Point Standard Inch Socket 1/2" Drive 15/16"
40632	6 Point Standard Inch Socket 1/2" Drive 1"
BP-1338QR	3/8" Drive Quick-Release Ratchet
HW-1510	6 Point Deep Inch Socket 3/8" Drive 5/16"
HW-1512	6 Point Deep Inch Socket 3/8" Drive 3/8"
HW-1514	6 Point Deep Inch Socket 3/8" Drive 7/16"
HW-1516	6 Point Deep Inch Socket 3/8" Drive 1/2"
HW-1518	6 Point Deep Inch Socket 3/8" Drive 9/16"
HW-1520	6 Point Deep Inch Socket 3/8" Drive 5/8"
HW-1522	6 Point Deep Inch Socket 3/8" Drive 11/16"
HW-1524	6 Point Deep Inch Socket 3/8" Drive 3/4"
HW-1526	6 Point Deep Inch Socket 3/8" Drive 13/16"
HW-1528	6 Point Deep Inch Socket 3/8" Drive 7/8"
HW-1530	6 Point Deep Inch Socket 3/8" Drive 15/16"

40 PIECE 3/8" & 1/2" DRIVE METRIC COMBINATION SET

Item #: 978240M

- 40 piece metric combination set with 3/8 inch drive sockets, 1/2 inch drive sockets, extensions, and pear head ratchet in a blow mold case.
- Weight (lbs): 6.43



HAND SOCKETS

MIXED DRIVE SETS

Contents	Description
32007M	6 Point Standard Metric Socket 3/8" Drive 7 mm
32008M	6 Point Standard Metric Socket 3/8" Drive 8 mm
32009M	6 Point Standard Metric Socket 3/8" Drive 9 mm
32010M	6 Point Standard Metric Socket 3/8" Drive 10 mm
32011M	6 Point Standard Metric Socket 3/8" Drive 11 mm
32012M	6 Point Standard Metric Socket 3/8" Drive 12 mm
32013M	6 Point Standard Metric Socket 3/8" Drive 13 mm
32014M	6 Point Standard Metric Socket 3/8" Drive 14 mm
32015M	6 Point Standard Metric Socket 3/8" Drive 15 mm
32016M	6 Point Standard Metric Socket 3/8" Drive 16 mm
32017M	6 Point Standard Metric Socket 3/8" Drive 17 mm
32018M	6 Point Standard Metric Socket 3/8" Drive 18 mm
32019M	6 Point Standard Metric Socket 3/8" Drive 19 mm
34966	3/8" Drive 3/8" x 1/2" Adapter
34984L	3/8" Drive Locking Extension 10"
34987L	3/8" Drive Locking Extension 6"
34988L	3/8" Drive Locking Extension 3"
42010M	6 Point Standard Metric Socket 1/2" Drive 10 mm
42011M	6 Point Standard Metric Socket 1/2" Drive 11 mm
42012M	6 Point Standard Metric Socket 1/2" Drive 12 mm

Contents	Description
42013M	6 Point Standard Metric Socket 1/2" Drive 13 mm
42014M	6 Point Standard Metric Socket 1/2" Drive 14 mm
43015M	12 Point Standard Metric Socket 1/2" Drive 15 mm
43017M	6 Point Standard Metric Socket 1/2" Drive 17 mm
43019M	6 Point Standard Metric Socket 1/2" Drive 19 mm
43021M	6 Point Standard Metric Socket 1/2" Drive 21 mm
43022M	6 Point Standard Metric Socket 1/2" Drive 22 mm
43023M	6 Point Standard Metric Socket 1/2" Drive 23 mm
BP-1338QR	3/8" Drive Quick-Release Ratchet
HW-1507M	6 Point Deep Metric Socket 3/8" Drive 7 mm
HW-1508M	6 Point Deep Metric Socket 3/8" Drive 8 mm
HW-1509M	6 Point Deep Metric Socket 3/8" Drive 9 mm
HW-1510M	6 Point Deep Metric Socket 3/8" Drive 10 mm
HW-1511M	6 Point Deep Metric Socket 3/8" Drive 11 mm
HW-1512M	6 Point Deep Metric Socket 3/8" Drive 12 mm
HW-1513M	6 Point Deep Metric Socket 3/8" Drive 13 mm
HW-1514M	6 Point Deep Metric Socket 3/8" Drive 14 mm
HW-1515M	6 Point Deep Metric Socket 3/8" Drive 15 mm
HW-1517M	6 Point Deep Metric Socket 3/8" Drive 17 mm
HW-1518M	6 Point Deep Metric Socket 3/8" Drive 18 mm



25 PIECE 3/8" & 1/2" COMBINATION SET**Item #: 978225**

- 25 piece fractional combination set with 3/8 inch drive sockets, 1/2 inch drive sockets, extensions, and pear head ratchet in a blow mold case.
- Weight (lbs): 4.54



Contents	Description
30010A	12 Point Standard Inch Socket 3/8" Drive 5/16"
30012	12 Point Standard Inch Socket 3/8" Drive 3/8"
30014	12 Point Standard Inch Socket 3/8" Drive 7/16"
30016	12 Point Standard Inch Socket 3/8" Drive 1/2"
30018	12 Point Standard Inch Socket 3/8" Drive 9/16"
30020	12 Point Standard Inch Socket 3/8" Drive 5/8"
30022	12 Point Standard Inch Socket 3/8" Drive 11/16"
30024	12 Point Standard Inch Socket 3/8" Drive 3/4"
30026	12 Point Standard Inch Socket 3/8" Drive 13/16"
30028	12 Point Standard Inch Socket 3/8" Drive 7/8"
300301	12 Point Standard Inch Socket 3/8" Drive 15/16"
300321	12 Point Standard Inch Socket 3/8" Drive 1"
34966	3/8" Drive 3/8" x 1/2" Adapter
34984L	3/8" Drive Locking Extension 10"
34987L	3/8" Drive Locking Extension 6"
40112	12 Point Standard Inch Socket 1/2" Drive 3/8"
40114	12 Point Standard Inch Socket 1/2" Drive 7/16"
40116	12 Point Standard Inch Socket 1/2" Drive 1/2"
40118	12 Point Standard Inch Socket 1/2" Drive 9/16"
40120	12 Point Standard Inch Socket 1/2" Drive 5/8"
40122	12 Point Standard Inch Socket 1/2" Drive 11/16"
40124	12 Point Standard Inch Socket 1/2" Drive 3/4"
40126	12 Point Standard Inch Socket 1/2" Drive 13/16"
40128	12 Point Standard Inch Socket 1/2" Drive 7/8"
BP-1338QR	3/8" Drive Quick-Release Ratchet

25 PIECE 3/8" & 1/2" DRIVE METRIC COMBINATION SET**Item #: 978225M**

- 25 piece metric combination set with 3/8 inch drive sockets, 1/2 inch drive sockets, extensions, and pear head ratchet in a blow mold case.
- Weight (lbs): 3.94



Contents	Description
34007M	12 Point Standard Metric Socket 3/8" Drive 7 mm
34008M	12 Point Standard Metric Socket 3/8" Drive 8 mm
34009M	12 Point Standard Metric Socket 3/8" Drive 9 mm
34010M	12 Point Standard Metric Socket 3/8" Drive 10 mm
34011M	12 Point Standard Metric Socket 3/8" Drive 11 mm
34012M	12 Point Standard Metric Socket 3/8" Drive 12 mm
34013M	12 Point Standard Metric Socket 3/8" Drive 13 mm
34014M	12 Point Standard Metric Socket 3/8" Drive 14 mm
34015M	12 Point Standard Metric Socket 3/8" Drive 15 mm
34016M	12 Point Standard Metric Socket 3/8" Drive 16 mm
34017M	12 Point Standard Metric Socket 3/8" Drive 17 mm
34018M	12 Point Standard Metric Socket 3/8" Drive 18 mm
34966	3/8" Drive 3/8" x 1/2" Adapter
34984L	3/8" Drive Locking Extension 10"
34987L	3/8" Drive Locking Extension 6"
42015M	12 Point Standard Metric Socket 1/2" Drive 15 mm
42016M	12 Point Standard Metric Socket 1/2" Drive 16 mm
42017M	12 Point Standard Metric Socket 1/2" Drive 17 mm
42018M	12 Point Standard Metric Socket 1/2" Drive 18 mm
43010M	12 Point Standard Metric Socket 1/2" Drive 10 mm
43011M	12 Point Standard Metric Socket 1/2" Drive 11 mm
43012M	12 Point Standard Metric Socket 1/2" Drive 12 mm
43013M	12 Point Standard Metric Socket 1/2" Drive 13 mm
43014M	12 Point Standard Metric Socket 1/2" Drive 14 mm
BP-1338QR	3/8" Drive Quick-Release Ratchet



Slim head design allows access to confined areas



Seventy-two tooth reversing ratchet mechanism features a five-degree turning arc

Ergonomically designed, full polish chrome handle features a comfortable grip in repetitive and high load applications

	DRIVE SIZE			
	1/4"	3/8"	1/2"	3/4"
RATCHETS Quick-Release Pear Head	BP-1214QR	BP-1338QR	BP-1412QR	X
Pear Head	BP-1214	BP-1338	BP-1412	69945P
Quick-Release Round Head	GW-9955B	34946B	49946B	X
Round Head	GW-9945B	34945B	49945B	X
Rotator™	GW-9946R	34950R	X	X
Bent Handle Flex Head	X	34947B	X	X
Flex Head	GW-9935B	34935B	X	X
Mini Flex Head	X	34948B	X	X

QUICK-RELEASE PEAR HEAD RATCHETS

- 72 tooth fine gear ratcheting mechanism. Foreign Object Debris (FOD) Compliant, sealed head design. Ultra-compact head design. Ergonomic grip with molded branding.



Drive Size (in)	Number of Teeth	Overall Length (in)	Weight (lbs)	Item No.
1/4	72	4-1/2	0.18	BP-1214QR
3/8	72	7-1/2	0.53	BP-1338QR
1/2	72	10-5/16	1.09	BP-1412QR

ASME B107.10

PEAR HEAD RATCHETS

- 72 tooth fine gear ratcheting mechanism. Foreign Object Debris (FOD) Compliant, sealed head design. Ultra-compact head design. Ergonomic grip with molded branding. (Does not apply to 69945P)



Drive Size (in)	Number of Teeth	Overall Length (in)	Weight (lbs)	Item No.
1/4	72	4-1/2	0.18	BP-1214
3/8	72	7-1/2	0.54	BP-1338
1/2	72	10-5/16	1.11	BP-1412
3/4	24	20	5.71	69945P

ASME B107.10



QUICK-RELEASE ROUND HEAD RATCHETS

- Full polish. Chrome plated positive grip ratchet. Works easily in confined areas. Knurled speed ring means you can start the fastener without turning the handle.



Drive Size (in)	Number of Teeth	Overall Length (in)	Weight (lbs)	Item No.
1/4	43	5-3/4	0.31	GW-9955B
3/8	41	10-5/64	0.76	34946B
1/2	45	10-3/32	1.22	49946B

ASME B107.10M

BENT HANDLE FLEX HEAD RATCHET

Drive Size (in)	Number of Teeth	Overall Length (in)	Weight (lbs)	Item No.
3/8	41	10-27/32	1.01	34947B

ROUND HEAD RATCHETS

- Chrome plated positive grip ratchet. Works easily in confined areas. Knurled speed ring means you can start the fastener without turning the handle.



Drive Size (in)	Number of Teeth	Overall Length (in)	Weight (lbs)	Item No.
1/4	43	5-51/64	0.41	GW-9945B
3/8	41	10-5/64	0.79	34945B
1/2	45	10-3/32	1.34	49945B

ASME B107.10M

FLEX HEAD RATCHETS

- Features the same design as our round head ratchet. No grooves or ball bearing to wear out in the hinge. Springs in each of the forks of the hinge allow for infinite angles.



Drive Size (in)	Number of Teeth	Overall Length (in)	Weight (lbs)	Item No.
1/4	43	6-11/16	0.38	GW-9935B
3/8	41	11-5/32	0.98	34935B

ROTATOR RATCHETS

- Handle rotates 360° in either direction for rapid "twist-action" nut and fastener application and removal. Pear head design. Quick-release switch for fast socket removal.



Drive Size (in)	Number of Teeth	Overall Length (in)	Weight (lbs)	Item No.
1/4	60	7-1/4	0.50	GW-9946R
3/8	60	8-51/64	1.0	34950R

ASME B107.10M

MINI FLEX HEAD RATCHET

- This compact flex head ratchet allows you to reach places inaccessible to standard ratchets. Head design is the same as the 34945B.



Drive Size (in)	Number of Teeth	Overall Length (in)	Weight (lbs)	Item No.
3/8	41	5-29/32	0.62	34948B



SOCKET SPINNER



Drive Size (in)	Overall Length (in)	Weight (lbs)	Item No.
1/4	6-1/8	0.15	ST-SS1

FLEXIBLE SPINNER

- Flexible shaft permits reaching around obstructions.



Drive Size (in)	Overall Length (in)	Weight (lbs)	Item No.
1/4	6-5/8	0.14	GW-9545

FLEX HANDLES



Drive Size (in)	Overall Length (in)	Weight (lbs)	Item No.
1/4	5-27/32	0.24	GW-9749B
3/8	9-51/64	0.67	34986B
1/2	16-31/64	1.76	49988B
3/4	19	4.20	69998

ASME B107.10M

HEAVY-DUTY SLIDE T-HANDLE

- For driving manually operated sockets. Large leverage handle for comfortable application of force. Movable/slidable square drive. Final tightening can be done with both hands.



Drive Size (in)	Overall Length (in)	Weight (lbs)	Item No.
3/4	20	3.20	69997

ASME B107.10M

SPEEDER HANDLE



Drive Size (in)	Overall Length (in)	Weight (lbs)	Item No.
1/4	15-1/2	0.92	34982
1/2	17-51/64	1.76	49992

ASME B107.10M

LOCKING EXTENSIONS

- Push button locking mechanism. Overmolded protection cap prevents dust & debris from jamming mechanism. Stamped logo, part number & size markings.



Drive Size (in)	Overall Length (in)	Weight (lbs)	Item No.
1/4	4	0.10	GW-9898L
1/4	5-29/32	0.14	GW-9899L
3/8	3	0.18	34988L
3/8	5-7/8	0.32	34987L
3/8	9-53/64	0.51	34984L
1/2	2-61/64	0.3	49964L
1/2	5-15/16	0.57	49966L
1/2	9-7/8	0.96	49990L



EXTENSIONS



Drive Size (in)	Overall Length (in)	Weight (lbs)	Item No.
1/4	3	0.08	GW-9898
1/4	6	0.16	GW-9899
3/8	1-7/8	0.10	34989
3/8	2-15/16	0.16	34988
3/8	5-15/16	0.32	34987
3/8	11-15/16	0.63	34984
3/8	20	1.07	34983
1/2	2	0.21	49964
1/2	5-1/8	0.46	49966
1/2	10	0.90	49990
1/2	19	1.92	49972
3/4	4	0.87	69993
3/4	8-1/8	1.36	69995
3/4	16	2.43	69994

ASME B107.10M

UNIVERSAL JOINTS



Drive Size (in)	Overall Length (in)	Weight (lbs)	Item No.
1/4	1-7/16	0.06	GW-9578A
3/8	1-7/8	0.14	34993A
1/2	2-45/64	0.29	49978A

ASME B107.10M

ADAPTERS



Drive Size (in)	Overall Length (in)	Weight (lbs)	Item No.
1/4 Female x 3/8 Male	1	0.04	34960
3/8 Female x 1/4 Male	1-1/2	0.06	34963
3/8 Female x 1/2 Male	1-7/16	0.10	34966
1/2 Female x 3/8 Male	1-7/16	0.13	34965
1/2 Female x 3/4 Male	11/16	0.25	69992
3/4 Female x 1/2 Male	1-7/8	0.28	49991
1 Female to 3/4 Male	2-7/8	1.33	69990

ASME B107.10M



1/4" DRIVE 27 PIECE STANDARD AND METRIC SET

Item #: 1427

• Weight (lbs): 2.1



Contents	Size	Overall Length (in)	Point Count
GW-1508	1/4	1-29/32	6
GW-1509	9/32	1-29/32	6
GW-1510	5/16	1-29/32	6
GW-1511	11/32	1-29/32	6
GW-1512	3/8	1-29/32	6
GW-1514	7/16	1-29/32	6
GW-1706	3/16	51/64	12
GW-1707	7/32	51/64	12
GW-1708	1/4	51/64	12
GW-1709	9/32	51/64	12
GW-1710	5/16	51/64	12
GW-1711	11/32	51/64	12
GW-1712	3/8	51/64	12
GW-1714	7/16	51/64	12
GW-1716	1/2	51/64	12
GW-604M	4 mm	51/64	6
GW-605M	5 mm	51/64	6
GW-606M	6 mm	51/64	6
GW-607M	7 mm	51/64	12
GW-608M	8 mm	51/64	12
GW-609M	9 mm	51/64	12
GW-610M	10 mm	51/64	12
GW-611M	11 mm	51/64	12
GW-612M	12 mm	51/64	12
GW-613M	13 mm	51/64	12
GW-9898	1/4" Drive 3" Extension		
GW-9945B	1/4" Drive Round Head Knurled Reversible Ratchet		

1/4" DRIVE 12 PIECE METRIC SOCKET SET

Item #: 112-MNB

• Weight (lbs): 0.62



Contents	Size (mm)	Overall Length (in)	Point Count
GW-604M	4 mm	51/64	6
GW-645M	4.5 mm	51/64	6
GW-605M	5 mm	51/64	6
GW-655M	5.5 mm	51/64	6
GW-606M	6 mm	51/64	6
GW-607M	7 mm	51/64	6
GW-608M	8 mm	51/64	6
GW-609M	9 mm	51/64	6
GW-610M	10 mm	51/64	6
GW-611M	11 mm	51/64	6
GW-612M	12 mm	51/64	6
GW-613M	13 mm	51/64	6
Clip Rail			

1/4" DRIVE 10 PIECE STANDARD SOCKET SET

Item #: 110-A

• Weight (lbs): 0.5



Contents	Size (in)	Overall Length (in)	Point Count
GW-1705	5/32	51/64	12
GW-1706	3/16	51/64	12
GW-1707	7/32	51/64	12
GW-1708	1/4	51/64	12
GW-1709	9/32	51/64	12
GW-1710	5/16	51/64	12
GW-1711	11/32	51/64	12
GW-1712	3/8	51/64	12
GW-1714	7/16	51/64	12
GW-1716	1/2	51/64	12
Clip Rail			

1/4" DRIVE SOCKETS

1/4" DRIVE SETS



1/4" DRIVE 10 PIECE STANDARD SOCKET SET

Item #: 110-CNB

• Weight (lbs): 0.54



Contents	Size (in)	Overall Length (in)	Point Count
GW-1605	5/32	51/64	6
GW-1606	3/16	51/64	6
GW-1607	7/32	51/64	6
GW-1608	1/4	51/64	6
GW-1609	9/32	51/64	6
GW-1610	5/16	51/64	6
GW-1611	11/32	51/64	6
GW-1612	3/8	51/64	6
GW-1614	7/16	51/64	6
GW-1616	1/2	51/64	6
Clip Rail			

1/4" DRIVE 10 PIECE METRIC DEEP SOCKET SET

Item #: 110-CM

• Weight (lbs): 1.0



Contents	Size (mm)	Overall Length (in)	Point Count
GW-504M	4 mm	1-29/32	6
GW-505M	5 mm	1-29/32	6
GW-506M	6 mm	1-29/32	6
GW-507M	7 mm	1-29/32	6
GW-508M	8 mm	1-29/32	6
GW-509M	9 mm	1-29/32	6
GW-510M	10 mm	1-29/32	6
GW-511M	11 mm	1-29/32	6
GW-512M	12 mm	1-29/32	6
GW-513M	13 mm	1-29/32	6
Clip Rail			

1/4" DRIVE 10 PIECE METRIC SOCKET SET

Item #: 1412-6M

• Weight (lbs): 0.5



Contents	Size (mm)	Overall Length (in)	Point Count
GW-705M	5 mm	51/64	12
GW-755M	5.5 mm	51/64	12
GW-706M	6 mm	51/64	12
GW-707M	7 mm	51/64	12
GW-708M	8 mm	51/64	12
GW-709M	9 mm	51/64	12
GW-710M	10 mm	51/64	12
GW-711M	11 mm	51/64	12
GW-712M	12 mm	51/64	12
GW-713M	13 mm	51/64	12
Clip Rail			

1/4" DRIVE 9 PIECE METRIC DEEP SOCKET SET

Item #: 110-AM

• Weight (lbs): 1.0



Contents	Size (mm)	Overall Length (in)	Point Count
GW-1605M	5 mm	1-29/32	12
GW-1606M	6 mm	1-29/32	12
GW-1607M	7 mm	1-29/32	12
GW-1608M	8 mm	1-29/32	12
GW-1609M	9 mm	1-29/32	12
GW-1610M	10 mm	1-29/32	12
GW-1611M	11 mm	1-29/32	12
GW-1612M	12 mm	1-29/32	12
GW-1613M	13 mm	1-29/32	12
Clip Rail			



1/4" DRIVE 7 PIECE STANDARD DEEP SOCKET SET

Item #: 107-A

• Weight (lbs): 0.7



Contents	Size (in)	Overall Length (in)	Point Count
GW-1408	1/4	1-29/32	12
GW-1409	9/32	1-29/32	12
GW-1410	5/16	1-29/32	12
GW-1411	11/32	1-29/32	12
GW-1412	3/8	1-29/32	12
GW-1414	7/16	1-29/32	12
GW-1416	1/2	1-29/32	12
Clip Rail			

1/4" DRIVE 7 PIECE STANDARD DEEP SOCKET SET

Item #: 107-CNB

• Weight (lbs): 0.58



Contents	Size (in)	Overall Length (in)	Point Count
GW-1508	1/4	1-29/32	6
GW-1509	9/32	1-29/32	6
GW-1510	5/16	1-29/32	6
GW-1511	11/32	1-29/32	6
GW-1512	3/8	1-29/32	6
GW-1514	7/16	1-29/32	6
GW-1516	1/2	1-29/32	6
Clip Rail			

1/4" DRIVE PEAR HEAD QUICK-RELEASE RATCHET

• 72 tooth fine gear ratcheting mechanism. FOD Compliant, sealed head design. Ultra-compact head design. Ergonomic grip with molded branding.



Number of Teeth	Overall Length (in)	Weight (lbs)	Item No.
72	4-1/2	0.18	BP-1214QR

ASME B107.10

1/4" DRIVE ROUND HEAD QUICK-RELEASE RATCHET

• Full polish. Chrome plated positive grip ratchet. 43 tooth design, double pawl. 8.4 degrees of arc required for new "bite." Works easily in confined areas. Knurled speed ring means you can start the fastener without turning the handle.



Number of Teeth	Overall Length (in)	Weight (lbs)	Item No.
43	5-3/4	0.31	GW-9955B

ASME B107.10M

1/4" DRIVE PEAR HEAD RATCHET

• 72 tooth fine gear ratcheting mechanism. FOD Compliant, sealed head design. Ultra-compact head design. Ergonomic grip with molded branding.



Number of Teeth	Overall Length (in)	Weight (lbs)	Item No.
72	4-1/2	0.18	BP-1214

ASME B107.10

1/4" DRIVE ROUND HEAD RATCHET

• Chrome plated positive grip ratchet. 43 tooth design. Works easily in confined areas. Knurled speed ring means you can start the fastener without turning the handle.



Number of Teeth	Overall Length (in)	Weight (lbs)	Item No.
43	5-51/64	0.41	GW-9945B

ASME B107.10M



1/4" DRIVE FLEX HEAD RATCHET

- Features the same design as our standard ratchet (GW-9945B). No grooves or ball bearing to wear out in the hinge. Springs in each of the forks of the hinge allow for infinite angles.



Number of Teeth	Overall Length (in)	Weight (lbs)	Item No.
43	6-11/16	0.38	GW-9935B
	Repair Kit		GW-9945BR

1/4" DRIVE LOCKING EXTENSIONS

- Push button locking mechanism. Overmolded protection cap prevents dust & debris from jamming mechanism. Stamped logo, part number & size markings.



Overall Length (in)	Weight (lbs)	Item No.
4	0.10	GW-9898L
5-29/32	0.14	GW-9899L

1/4" DRIVE ROTATOR RATCHET

- Handle rotates 360° in either direction for rapid "twist-action" nut and fastener application and removal. Pear head design. Quick-release switch for fast socket removal.



Number of Teeth	Overall Length (in)	Weight (lbs)	Item No.
60	7-1/4	0.50	GW-9946R

ASME B107.10M

1/4" DRIVE EXTENSIONS



Overall Length (in)	Drive End Diameter (in)	Weight (lbs)	Item No.
3	1/2	0.08	GW-9898
6	1/2	0.16	GW-9899

ASME B107.10M

1/4" DRIVE FLEX HANDLE



Overall Length (in)	Weight (lbs)	Item No.
5-27/32	0.24	GW-9749B

ASME B107.10M

1/4" DRIVE FLEXIBLE SPINNER

- Flexible shaft permits reaching around obstructions.



Overall Length (in)	Weight (lbs)	Item No.
6-5/8	0.14	GW-9545

1/4" DRIVE SOCKET SPINNER



Tips	Tip Width (in)	Shank Length (in)	Overall Length (in)	Weight (lbs)	Item No.
Ball Lock	1/4	1-31/32	6-1/8	0.15	ST-SS1



1/4" DRIVE UNIVERSAL JOINT



Drive End Diameter (in)	Overall Length (in)	Weight (lbs)	Item No.
1/2	1-7/16	0.06	GW-9578A

ASME B107.10M

1/4" DRIVE ADAPTER



Female/Male Diameter (in)	Drive End Diameter (in)	Overall Length (in)	Weight (lbs)	Item No.
1/4 to 3/8	1/2	1	0.04	34960

ASME B107.10M



1/4" DRIVE SOCKETS - 6 POINT



Size (in)	Drive End Diameter (in)	Working End Diameter (in)	Overall Length (in)	Weight (lbs)	Item No.
5/32	15/32	17/64	51/64	0.03	GW-1605
3/16	15/32	5/16	51/64	0.03	GW-1606
7/32	15/32	21/64	51/64	0.03	GW-1607
1/4	15/32	3/8	51/64	0.03	GW-1608
9/32	15/32	27/64	51/64	0.03	GW-1609
5/16	15/32	15/32	51/64	0.03	GW-1610
11/32	33/64	33/64	51/64	0.04	GW-1611
3/8	9/16	9/16	51/64	0.04	GW-1612
7/16	5/8	5/8	51/64	0.05	GW-1614
1/2	11/16	11/16	51/64	0.05	GW-1616

ASME B107.1

1/4" DRIVE METRIC SOCKETS - 6 POINT



Size (mm)	Drive End Diameter (in)	Working End Diameter (in)	Overall Length (in)	Weight (lbs)	Item No.
4 mm	15/32	17/64	51/64	0.02	GW-604M
4.5 mm	15/32	5/16	51/64	0.03	GW-645M
5 mm	15/32	5/16	51/64	0.03	GW-605M
5.5 mm	15/32	21/64	51/64	0.03	GW-655M
6 mm	15/32	3/8	51/64	0.03	GW-606M
7 mm	15/32	27/64	51/64	0.03	GW-607M
8 mm	15/32	15/32	51/64	0.03	GW-608M
9 mm	33/64	33/64	51/64	0.03	GW-609M
10 mm	37/64	37/64	51/64	0.04	GW-610M
11 mm	5/8	5/8	51/64	0.06	GW-611M
12 mm	21/32	21/32	51/64	0.06	GW-612M
13 mm	11/16	11/16	51/64	0.06	GW-613M

ASME B107.5M

1/4" DRIVE DEEP SOCKETS - 6 POINT



Size (in)	Drive End Diameter (in)	Working End Diameter (in)	Overall Length (in)	Weight (lbs)	Item No.
3/16	29/64	5/16	1-29/32	0.06	GW-1506
7/32	29/64	11/32	1-29/32	0.06	GW-1507
1/4	29/64	25/64	1-29/32	0.06	GW-1508
9/32	29/64	7/16	1-29/32	0.06	GW-1509
5/16	29/64	29/64	1-29/32	0.06	GW-1510
11/32	1/2	1/2	1-29/32	0.08	GW-1511
3/8	9/16	9/16	1-29/32	0.09	GW-1512
7/16	39/64	39/64	1-29/32	0.10	GW-1514
1/2	11/16	11/16	1-29/32	0.12	GW-1516

ASME B107.1M



1/4" DRIVE DEEP METRIC SOCKETS - 6 POINT



Size (mm)	Drive End Diameter (in)	Working End Diameter (in)	Overall Length (in)	Weight (lbs)	Item No.
4 mm	29/64	9/32	1-29/32	0.05	GW-504M
5 mm	29/64	5/16	1-29/32	0.06	GW-505M
6 mm	29/64	3/8	1-29/32	0.06	GW-506M
7 mm	29/64	27/64	1-29/32	0.06	GW-507M
8 mm	29/64	29/64	1-29/32	0.06	GW-508M
9 mm	33/64	33/64	1-29/32	0.07	GW-509M
10 mm	37/64	37/64	1-29/32	0.09	GW-510M
11 mm	5/8	5/8	1-29/32	0.10	GW-511M
12 mm	21/32	21/32	1-29/32	0.11	GW-512M
13 mm	45/64	45/64	1-29/32	0.11	GW-513M

ASME B107.5M

1/4" DRIVE SOCKETS - 8 POINT



Size (in)	Drive End Diameter (in)	Working End Diameter (in)	Overall Length (in)	Weight (lbs)	Item No.
1/4	15/32	15/32	51/64	0.02	GW-1208
5/16	9/16	9/16	51/64	0.04	GW-1210
3/8	21/32	21/32	51/64	0.06	GW-1212

ASME B107.1

1/4" DRIVE SOCKETS - 12 POINT



Size (in)	Drive End Diameter (in)	Working End Diameter (in)	Overall Length (in)	Weight (lbs)	Item No.
5/32	15/32	17/64	51/64	0.02	GW-1705
3/16	15/32	5/16	51/64	0.03	GW-1706
7/32	15/32	21/64	51/64	0.03	GW-1707
1/4	15/32	3/8	51/64	0.03	GW-1708
9/32	15/32	27/64	51/64	0.03	GW-1709
5/16	15/32	15/32	51/64	0.04	GW-1710
11/32	33/64	33/64	51/64	0.04	GW-1711
3/8	9/16	9/16	51/64	0.05	GW-1712
7/16	5/8	5/8	51/64	0.05	GW-1714
1/2	11/16	11/16	51/64	0.06	GW-1716

ASME B107.1



1/4" DRIVE METRIC SOCKETS - 12 POINT



Size (mm)	Drive End Diameter (in)	Working End Diameter (in)	Overall Length (in)	Weight (lbs)	Item No.
5 mm	15/32	5/16	51/64	0.01	GW-705M
5.5 mm	15/32	5/16	51/64	0.02	GW-755M
6 mm	15/32	3/8	51/64	0.02	GW-706M
7 mm	15/32	27/64	51/64	0.02	GW-707M
8 mm	15/32	15/32	51/64	0.02	GW-708M
9 mm	33/64	33/64	51/64	0.03	GW-709M
10 mm	37/64	37/64	51/64	0.04	GW-710M
11 mm	5/8	5/8	51/64	0.05	GW-711M
12 mm	21/32	21/32	51/64	0.05	GW-712M
13 mm	11/16	11/16	51/64	0.06	GW-713M

ASME B107.5M

1/4" DRIVE DEEP SOCKETS - 12 POINT



Size (in)	Drive End Diameter (in)	Working End Diameter (in)	Overall Length (in)	Weight (lbs)	Item No.
3/16	29/64	5/16	1-29/32	0.02	GW-1406
7/32	29/64	11/32	1-29/32	0.02	GW-1407
1/4	29/64	25/64	1-29/32	0.02	GW-1408
9/32	29/64	7/16	1-29/32	0.02	GW-1409
5/16	29/64	29/64	1-29/32	0.02	GW-1410
11/32	1/2	1/2	1-29/32	0.02	GW-1411
3/8	9/16	9/16	1-29/32	0.03	GW-1412
7/16	5/8	5/8	1-29/32	0.03	GW-1414
1/2	11/16	11/16	1-29/32	0.04	GW-1416

ASME B107.1

1/4" DRIVE DEEP METRIC SOCKETS - 12 POINT



Size (mm)	Drive End Diameter (in)	Working End Diameter (in)	Overall Length (in)	Weight (lbs)	Item No.
5 mm	29/64	5/16	1-29/32	0.07	GW-1605M
6 mm	29/64	3/8	1-29/32	0.09	GW-1606M
7 mm	29/64	27/64	1-29/32	0.09	GW-1607M
8 mm	29/64	29/64	1-29/32	0.15	GW-1608M
9 mm	33/64	33/64	1-29/32	0.06	GW-1609M
10 mm	37/64	37/64	1-29/32	0.04	GW-1610M
11 mm	5/8	5/8	1-29/32	0.04	GW-1611M
12 mm	21/32	21/32	1-29/32	0.10	GW-1612M
13 mm	45/64	45/64	1-29/32	0.11	GW-1613M

ASME B107.5M



3/8" DRIVE 34 PIECE STANDARD AND METRIC SET

Item #: 9934

• Weight (lbs): 8.2



3/8" DRIVE 30 PIECE METRIC SET WITH INDEXIBLE RATCHET

Item #: 9930X

• Weight (lbs): 8.1



Contents	Size	Overall Length (in)	Point Count
30010A	5/16	29/32	12
30012	3/8	29/32	12
30014	7/16	29/32	12
30016	1/2	29/32	12
30018	9/16	1	12
30020	5/8	1	12
30022	11/16	1	12
30024	3/4	1-3/32	12
30026	13/16	1-13/64	12
30028	7/8	1-13/64	12
34008M	8 mm	29/32	12
34009M	9 mm	29/32	12
34010M	10 mm	29/32	12
34011M	11 mm	29/32	12
34012M	12 mm	1	12
34013M	13 mm	1	12
34014M	14 mm	1	12
34015M	15 mm	1	12
34017M	17 mm	1	12
34018M	18 mm	1-3/32	12
34019M	19 mm	1-3/32	12
30412	3/8	1-51/64	12
30414	7/16	1-51/64	12
30416	1/2	1-51/64	12
30418	9/16	2	12
30420	5/8	2-3/32	12
30422	11/16	2-13/64	12
30424	3/4	2-13/64	12
30426	13/16	2-1/2	12
30428	7/8	2-1/2	12
34988	3/8" Drive 3" Extension		
34987	3/8" Drive 6" Extension		
34993A	3/8" Drive Universal Joint		
34945B	3/8" Drive Round Head Knurled Reversible Ratchet		

Contents	Size	Overall Length (in)	Point Count
30608	1/4	29/32	6
30010	5/16	29/32	6
30612	3/8	29/32	6
30614	7/16	29/32	6
30616	1/2	1	6
30618	9/16	1	6
30620	5/8	1	6
30622	11/16	1	6
30624	3/4	1-3/32	6
30626	13/16	1-13/64	6
32010M	10 mm	29/32	6
32011M	11 mm	29/32	6
32012M	12 mm	1	6
32013M	13 mm	1	6
32014M	14 mm	1	6
32015M	15 mm	1	6
32016M	16 mm	1	6
32017M	17 mm	1	6
32018M	18 mm	1-3/32	6
32019M	19 mm	1-3/32	6
HW-1512	3/8	1-13/16	6
HW-1514	7/16	1-13/16	6
HW-1516	1/2	1-13/16	6
HW-1518	9/16	1-63/64	6
HW-1510M	10 mm	1-51/64	6
HW-1511M	11 mm	1-53/64	6
HW-1512M	12 mm	1-51/64	6
HW-1514M	14 mm	2-1/64	6
34950X	3/8" Drive Indexible Head Ratchet		
34987	3/8" Drive 6" Extension		

HAND TOOLS

3/8" DRIVE SETS



3/8" DRIVE 29 PIECE METRIC SET

Item #: 3829-M

• Weight (lbs): 8.1



Contents	Size (mm)	Overall Length (in)	Point Count
34008M	8 mm	29/32	12
34009M	9 mm	29/32	12
34010M	10 mm	29/32	12
34011M	11 mm	29/32	12
34012M	12 mm	1	12
34013M	13 mm	1	12
34014M	14 mm	1	12
34015M	15 mm	1	12
34016M	16 mm	1	12
34017M	17 mm	1	12
34018M	18 mm	1-3/32	12
34019M	19 mm	1-3/32	12
HW-1608M	8 mm	2-1/8	12
HW-1609M	9 mm	2-1/8	12
HW-1610M	10 mm	2-9/64	12
HW-1611M	11 mm	2-1/8	12
HW-1612M	12 mm	2-9/64	12
HW-1613M	13 mm	2-9/64	12
HW-1614M	14 mm	2-9/64	12
HW-1615M	15 mm	2-3/4	12
HW-1616M	16 mm	2-3/4	12
HW-1617M	17 mm	2-3/4	12
HW-1618M	18 mm	2-49/64	12
HW-1619M	19 mm	2-49/64	12
34987		3/8" Drive 6" Extension	
34988		3/8" Drive 3" Extension	
34993A		3/8" Drive Universal Joint	
34945B		3/8" Drive Round Head Knurled Reversible Ratchet	
34986B		3/8" Drive Flex Handle	

3/8" DRIVE 24 PIECE METRIC SET

Item #: 3824-MNB

• Weight (lbs): 0.75



Contents	Size (mm)	Overall Length (in)	Point Count
HW-1510M	10 mm	1-51/64	6
HW-1511M	11 mm	1-53/64	6
HW-1512M	12 mm	1-51/64	6
HW-1513M	13 mm	1-53/64	6
HW-1514M	14 mm	2-1/64	6
HW-1515M	15 mm	2-7/64	6
HW-1517M	17 mm	2-13/64	6
HW-1519M	19 mm	2-7/32	6
32007M	7 mm	29/32	6
32008M	8 mm	29/32	6
32009M	9 mm	29/32	6
32010M	10 mm	29/32	6
32011M	11 mm	29/32	6
32012M	12 mm	1	6
32013M	13 mm	1	6
32014M	14 mm	1	6
32015M	15 mm	1	6
32016M	16 mm	1	6
32017M	17 mm	1	6
32018M	18 mm	1-3/32	6
32019M	19 mm	1-3/32	6
HW-1520S		3/8" Drive Spark Plug Socket 5/8"	
34988		3/8" Drive 3" Extension	
34945B		3/8" Drive Round Head Knurled Reversible Ratchet	



3/8" DRIVE 20 PIECE STANDARD SET

Item #: 3820NB

• Weight (lbs): 5.5



3/8" DRIVE 20 PIECE STANDARD SET

Item #: 3820-S

• Weight (lbs): 5.5



Contents	Size (in)	Overall Length (in)	Point Count
30612	3/8	29/32	6
30614	7/16	29/32	6
30616	1/2	1	6
30618	9/16	1	6
30620	5/8	1	6
30622	11/16	1	6
30624	3/4	1-3/32	6
30626	13/16	1-13/64	6
30628	7/8	1-13/64	6
HW-1512	3/8	1-13/16	6
HW-1514	7/16	1-13/16	6
HW-1516	1/2	1-13/16	6
HW-1518	9/16	1-63/64	6
HW-1520	5/8	2-7/64	6
HW-1522	11/16	2-7/32	6
HW-1524	3/4	2-7/32	6
HW-1526	13/16	2-33/64	6
34987	3/8" Drive 6" Extension		
34988	3/8" Drive 3" Extension		
34945B	3/8" Drive Round Head Knurled Reversible Ratchet		

Contents	Size (in)	Overall Length (in)	Point Count
30412	3/8	1-51/64	12
30414	7/16	1-51/64	12
30416	1/2	1-51/64	12
30418	9/16	2	12
30420	5/8	2-3/32	12
30422	11/16	2-13/64	12
30424	3/4	2-13/64	12
30426	13/16	2-1/2	12
30014	7/16	29/32	12
30016	1/2	29/32	12
30018	9/16	1	12
30020	5/8	1	12
30022	11/16	1	12
30024	3/4	1-3/32	12
30026	13/16	1-13/64	12
30012	3/8	29/32	12
30028	7/8	1-13/64	12
34945B	3/8" Drive Round Head Knurled Reversible Ratchet		
34988	3/8" Drive 3" Extension		
34987	3/8" Drive 6" Extension		

HAND SCREWDRIVERS

3/8" DRIVE SETS



3/8" DRIVE 19 PIECE STANDARD SET

Item #: 3819-DS

• Weight (lbs): 4.3



Contents	Size (in)	Overall Length (in)	Point Count
30612	3/8	29/32	6
30614	7/16	29/32	6
30616	1/2	1	6
30618	9/16	1	6
30620	5/8	1	6
30622	11/16	1	6
30624	3/4	1-3/32	6
30626	13/16	1-13/64	6
30628	7/8	1-13/64	6
HW-1512	3/8	1-13/16	6
HW-1514	7/16	1-13/16	6
HW-1516	1/2	1-13/16	6
HW-1518	9/16	1-63/64	6
HW-1522	11/16	2-7/32	6
HW-1524	3/4	2-7/32	6
HW-1520S	3/8" Drive Spark Plug Socket 5/8"		
34945B	3/8" Drive Round Head Knurled Reversible Ratchet		
34988	3/8" Drive 3" Extension		
34987	3/8" Drive 6" Extension		

3/8" DRIVE 18 PIECE METRIC SET

Item #: 3818-M

• Weight (lbs): 3.4



Contents	Size (mm)	Overall Length (in)	Point Count
32007M	7 mm	29/32	6
32008M	8 mm	29/32	6
32009M	9 mm	29/32	6
32010M	10 mm	29/32	6
32011M	11 mm	29/32	6
32012M	12 mm	1	6
32013M	13 mm	1	6
32014M	14 mm	1	6
32015M	15 mm	1	6
32016M	16 mm	1	6
32017M	17 mm	1	6
32018M	18 mm	1-3/32	6
32019M	19 mm	1-3/32	6
HW-1520S	3/8" Drive Spark Plug Socket 5/8"		
34987	3/8" Drive 6" Extension		
34988	3/8" Drive 3" Extension		
34945B	3/8" Drive Round Head Knurled Reversible Ratchet		
34986B	3/8" Drive Flex Handle		



3/8" DRIVE 16 PIECE STANDARD AND METRIC SET

Item #: 3816-MS

• Weight (lbs): 9.6



Contents	Size	Overall Length (in)	Point Count
30612	3/8	29/32	6
30614	7/16	29/32	6
30616	1/2	1	6
30618	9/16	1	6
30620	5/8	1	6
30622	11/16	1	6
30624	3/4	1-3/32	6
32010M	10 mm	29/32	6
32011M	11 mm	29/32	6
32012M	12 mm	1	6
32013M	13 mm	1	6
32014M	14 mm	1	6
32015M	15 mm	1	6
32017M	17 mm	1	6
34945B	3/8" Drive Round Head Knurled Reversible Ratchet		
34988	3/8" Drive 3" Extension		

3/8" DRIVE 14 PIECE STANDARD SET

Item #: 3814ANB

• Weight (lbs): 1.1



Contents	Size (in)	Overall Length (in)	Point Count
30612	3/8	29/32	6
30614	7/16	29/32	6
30616	1/2	1	6
30618	9/16	1	6
30620	5/8	1	6
30622	11/16	1	6
30624	3/4	1-3/32	6
30626	13/16	1-13/64	6
30628	7/8	1-13/64	6
HW-1520S	3/8" Drive Spark Plug Socket 5/8"		
34988	3/8" Drive 3" Extension		
34987	3/8" Drive 6" Extension		
34986B	3/8" Drive Flex Handle		
34945B	3/8" Drive Round Head Knurled Reversible Ratchet		

3/8" DRIVE 11 PIECE STANDARD SET

Item #: 3811NB

• Weight (lbs): 1.3



Contents	Size (in)	Overall Length (in)	Point Count
30612	3/8	29/32	6
30614	7/16	29/32	6
30616	1/2	1	6
30618	9/16	1	6
30620	5/8	1	6
30622	11/16	1	6
30624	3/4	1-3/32	6
30626	13/16	1-13/64	6
30628	7/8	1-13/64	6
34988	3/8" Drive 3" Extension		
34945B	3/8" Drive Round Head Knurled Reversible Ratchet		

HAND SOCKETS

3/8" DRIVE SETS



3/8" DRIVE 11 PIECE METRIC SET

Item #: 3811-MNB

• Weight (lbs): 1.3



Contents	Size (mm)	Overall Length (in)	Point Count
32007M	7 mm	29/32	6
32008M	8 mm	29/32	6
32009M	9 mm	29/32	6
32010M	10 mm	29/32	6
32012M	12 mm	1	6
32013M	13 mm	1	6
32014M	14 mm	1	6
32017M	17 mm	1	6
32019M	19 mm	1-3/32	6
34988	3/8" Drive 3" Extension		
34945B	3/8" Drive Round Head Knurled Reversible Ratchet		

3/8" DRIVE 24 PIECE METRIC SOCKET SET

Item #: 8924MNB

• Weight (lbs): 3.34



Contents	Size (mm)	Overall Length (in)	Point Count
32007M	7 mm	29/32	6
32008M	8 mm	29/32	6
32009M	9 mm	29/32	6
32010M	10 mm	29/32	6
32011M	11 mm	29/32	6
32012M	12 mm	1	6
32013M	13 mm	1	6
32014M	14 mm	1	6
32015M	15 mm	1	6
32016M	16 mm	1	6
32017M	17 mm	1	6
32018M	18 mm	1-3/32	6
32019M	19 mm	1-3/32	6
32020M	20 mm	1-13/64	6
32021M	21 mm	1-13/64	6
32022M	22 mm	1-13/64	6
HW-1510M	10 mm	1-51/64	6
HW-1511M	11 mm	1-53/64	6
HW-1512M	12 mm	1-51/64	6
HW-1513M	13 mm	1-53/64	6
HW-1514M	14 mm	2-1/64	6
HW-1515M	15 mm	2-7/64	6
HW-1517M	17 mm	2-13/64	6
HW-1519M	19 mm	2-7/32	6

3/8" DRIVE 21 PIECE STANDARD SOCKET SET

Item #: 8921NB

• Weight (lbs): 3.85



Contents	Size (in)	Overall Length (in)	Point Count
30010	5/16	29/32	6
30612	3/8	29/32	6
30614	7/16	29/32	6
30616	1/2	1	6
30618	9/16	1	6
30620	5/8	1	6
30622	11/16	1	6
30624	3/4	1-3/32	6
30626	13/16	1-13/64	6
30628	7/8	1-13/64	6
30630	15/16	1-13/64	6
30632	1"	1-13/32	6
HW-1512	3/8	1-13/16	6
HW-1514	7/16	1-13/16	6
HW-1516	1/2	1-13/16	6
HW-1518	9/16	1-63/64	6
HW-1520	5/8	2-7/64	6
HW-1522	11/16	2-7/32	6
HW-1524	3/4	2-7/32	6
HW-1526	13/16	2-33/64	6
HW-1528	7/8	2-1/2	6



3/8" DRIVE 13 PIECE STANDARD SOCKET SET WITH INDEXIBLE RATCHET

Item #: 9913X

• Weight (lbs): 2.5



Contents	Size (in)	Overall Length (in)	Point Count
30010	5/16	29/32	6
30612	3/8	29/32	6
30614	7/16	29/32	6
30616	1/2	1	6
30618	9/16	1	6
30620	5/8	1	6
30622	11/16	1	6
30624	3/4	1-3/32	6
30626	13/16	1-13/64	6
30628	7/8	1-13/64	6
30630	15/16	1-13/64	6
34950X	3/8" Drive Indexible Head Ratchet		
34988	3/8" Drive 3" Extension		

3/8" 13 PIECE METRIC SOCKET SET

Item #: 213-BNB

• Weight (lbs): 1.0



Contents	Size (mm)	Overall Length (in)	Point Count
32007M	7 mm	29/32	6
32008M	8 mm	29/32	6
32009M	9 mm	29/32	6
32010M	10 mm	29/32	6
32011M	11 mm	29/32	6
32012M	12 mm	1	6
32013M	13 mm	1	6
32014M	14 mm	1	6
32015M	15 mm	1	6
32016M	16 mm	1	6
32017M	17 mm	1	6
32018M	18 mm	1-3/32	6
32019M	19 mm	1-3/32	6
Clip Rail			

3/8" DRIVE 12 PIECE METRIC SOCKET SET

Item #: 3812-M

• Weight (lbs): 0.95



Contents	Size (mm)	Overall Length (in)	Point Count
34008M	8 mm	29/32	12
34009M	9 mm	29/32	12
34010M	10 mm	29/32	12
34011M	11 mm	29/32	12
34012M	12 mm	1	12
34013M	13 mm	1	12
34014M	14 mm	1	12
34015M	15 mm	1	12
34016M	16 mm	1	12
34017M	17 mm	1	12
34018M	18 mm	1-3/32	12
34019M	19 mm	1-3/32	12
Clip Rail			

14mm sockets

3/8" DRIVE SETS



3/8" DRIVE 9 PIECE STANDARD SOCKET SET

Item #: 3809-6

• Weight (lbs): 1.2



Contents	Size (in)	Overall Length (in)	Point Count
30612	3/8	29/32	6
30614	7/16	29/32	6
30616	1/2	1	6
30618	9/16	1	6
30620	5/8	1	6
30622	11/16	1	6
30624	3/4	1-3/32	6
30626	13/16	1-13/64	6
30628	7/8	1-13/64	6
Clip Rail			

3/8" DRIVE 9 PIECE STANDARD DEEP SOCKET SET

Item #: 3809-D6

• Weight (lbs): 1.7



Contents	Size (in)	Overall Length (in)	Point Count
30412	3/8	1-51/64	12
30414	7/16	1-51/64	12
30416	1/2	1-51/64	12
30418	9/16	2	12
30420	5/8	2-3/32	12
30422	11/16	2-13/64	12
30424	3/4	2-13/64	12
30426	13/16	2-1/2	12
30428	7/8	2-1/2	12
Clip Rail			

3/8" DRIVE 9 PIECE STANDARD SOCKET SET

Item #: 3809-B

• Weight (lbs): 1.2



Contents	Size (in)	Overall Length (in)	Point Count
30012	3/8	29/32	12
30014	7/16	29/32	12
30016	1/2	29/32	12
30018	9/16	1	12
30020	5/8	1	12
30022	11/16	1	12
30024	3/4	1-3/32	12
30026	13/16	1-13/64	12
30028	7/8	1-13/64	12
Clip Rail			

3/8" DRIVE 9 PIECE STANDARD DEEP SOCKET SET

Item #: 3809-DS

• Weight (lbs): 1.7



Contents	Size (in)	Overall Length (in)	Point Count
HW-1512	3/8	1-13/16	6
HW-1514	7/16	1-13/16	6
HW-1516	1/2	1-13/16	6
HW-1518	9/16	1-63/64	6
HW-1520	5/8	2-7/64	6
HW-1522	11/16	2-7/32	6
HW-1524	3/4	2-7/32	6
HW-1526	13/16	2-33/64	6
HW-1528	7/8	2-1/2	6
Clip Rail			



3/8" DRIVE 8 PIECE STANDARD SOCKET SET

Item #: 208-M

• Weight (lbs): 1.1



Contents	Size (in)	Overall Length (in)	Point Count
30612	3/8	29/32	6
30614	7/16	29/32	6
30616	1/2	1	6
30618	9/16	1	6
30620	5/8	1	6
30622	11/16	1	6
30624	3/4	1-3/32	6
30626	13/16	1-13/64	6
Clip Rail			

3/8" DRIVE 8 PIECE METRIC DEEP SOCKET SET

Item #: 202-C

• Weight (lbs): 1.6



Contents	Size (mm)	Overall Length (in)	Point Count
HW-1610M	10 mm	2-9/64	12
HW-1611M	11 mm	2-1/8	12
HW-1612M	12 mm	2-9/64	12
HW-1613M	13 mm	2-9/64	12
HW-1614M	14 mm	2-9/64	12
HW-1615M	15 mm	2-3/4	12
HW-1617M	17 mm	2-3/4	12
HW-1619M	19 mm	2-49/64	12
Clip Rail			

3/8" DRIVE 8 PIECE STANDARD DEEP SOCKET SET

Item #: 209-CNB

• Weight (lbs): 1.5



Contents	Size (in)	Overall Length (in)	Point Count
HW-1512	3/8	1-13/16	6
HW-1514	7/16	1-13/16	6
HW-1516	1/2	1-13/16	6
HW-1518	9/16	1-63/64	6
HW-1520	5/8	2-7/64	6
HW-1522	11/16	2-7/32	6
HW-1524	3/4	2-7/32	6
HW-1526	13/16	2-33/64	6
Clip Rail			

3/8" DRIVE 8 PIECE METRIC DEEP SOCKET SET

Item #: 206-CNB

• Weight (lbs): 1.6



Contents	Size (mm)	Overall Length (in)	Point Count
HW-1510M	10 mm	1-51/64	6
HW-1511M	11 mm	1-53/64	6
HW-1512M	12 mm	1-51/64	6
HW-1513M	13 mm	1-53/64	6
HW-1514M	14 mm	2-1/64	6
HW-1515M	15 mm	2-7/64	6
HW-1517M	17 mm	2-13/64	6
HW-1519M	19 mm	2-7/32	6
Clip Rail			



3/8" DRIVE 5 PIECE STANDARD SOCKET SET

Item #: 218-BNB

• Weight (lbs): 0.58



Contents	Size (in)	Overall Length (in)	Point Count
31108	1/4	29/32	8
31110	5/16	29/32	8
31112	3/8	29/32	8
31114	7/16	29/32	8
31116	1/2	1	8
Clip Rail			

3/8" DRIVE 7 PIECE METRIC UNIVERSAL SOCKET SET

Item #: 207-M

• Weight (lbs): 1.2



Contents	Size (mm)	Overall Length (in)	Point Count
30209HAM	9 mm	1-45/64	6
30210HAM	10 mm	1-51/64	6
30211HAM	11 mm	1-51/64	6
30212HAM	12 mm	1-51/64	6
30213HAM	13 mm	1-29/32	6
30214HAM	14 mm	1-29/32	6
30215HAM	15 mm	2	6
Clip Rail			

3/8" DRIVE 7 PIECE UNIVERSAL SOCKET SET

Item #: 208-CNB

• Weight (lbs): 1.2



Contents	Size (in)	Overall Length (in)	Point Count
30212HA	3/8	1-45/64	6
30214HA	7/16	1-51/64	6
30216HA	1/2	1-51/64	6
30218HA	9/16	1-51/64	6
30220HA	5/8	1-29/32	6
30222HA	11/16	1-29/32	6
30224HA	3/4	2	6
Clip Rail			



10 PIECE 3/8" DRIVE CROWFOOT SET

Item #: BCF-50NB

• Weight (lbs): 1.27



Contents	Size (in)	Overall Length (in)
BCF-12	3/8	1-7/32
BCF-14	7/16	1-3/16
BCF-16	1/2	1-11/32
BCF-18	9/16	1-5/16
BCF-20	5/8	1-33/64
BCF-22	11/16	1-31/64
BCF-24	3/4	2-11/16
BCF-26	13/16	3-11/16
BCF-28	7/8	4-11/16
BCF-32	1	1-47/64
Clip Rail		

3/8" DRIVE 10 PIECE METRIC CROWFOOT SET

Item #: BCF-50MNB

• Weight (lbs): 1.11



Contents	Size (mm)	Overall Length (in)
BCF-10M	10 mm	1-7/32
BCF-11M	11 mm	1-7/32
BCF-12M	12 mm	1-11/32
BCF-13M	13 mm	1-11/32
BCF-14M	14 mm	1-11/32
BCF-15M	15 mm	1-33/64
BCF-17M	17 mm	1-33/64
BCF-19M	19 mm	1-11/16
BCF-21M	21 mm	1-11/16
BCF-22M	22 mm	1-11/16
Clip Rail		

12 PIECE 3/8" DRIVE HEX BIT SOCKET SET - SAE

Item #: HW-9412S

• Weight (lbs): 0.95



Contents	Size (in)	Overall Length (in)
HW-9438-2	1/16	1-51/64
HW-9439-2	5/64	1-13/16
HW-9440-2	3/32	1-53/64
HW-9441-2	7/64	1-13/16
HW-9442-2	1/8	1-13/16
HW-9443-2	9/64	1-53/64
HW-9444-2	5/32	1-53/64
HW-9449-2	3/16	1-53/64
HW-9448-2	7/32	1-13/16
HW-9447-2	1/4	1-13/16
HW-9446-2	5/16	1-13/16
HW-9445-2	3/8	1-13/16
Clip Rail		

12 PIECE 3/8" DRIVE HEX BIT SOCKET SET - METRIC

Item #: HW-9412MS

• Weight (lbs): 1.17



Contents	Size (mm)	Overall Length (in)
HW-9402M-2	2 mm	1-51/64
HW-94025M-2	2.5 mm	1-51/64
HW-9403M-2	3 mm	1-51/64
HW-9404M-2	4 mm	1-51/64
HW-9405M-2	5 mm	1-51/64
HW-9406M-2	6 mm	1-51/64
HW-9407M-2	7 mm	1-51/64
HW-9408M-2	8 mm	1-51/64
HW-9409M-2	9 mm	1-13/16
HW-9410M-2	10 mm	1-51/64
HW-9411M-2	11 mm	1-51/64
HW-9412M-2	12 mm	1-13/16
Clip Rail		

14MM SOCKET

3/8" DRIVE SETS



**7 PIECE 3/8" DRIVE LONG BALL
HEX BIT SOCKET SET**

Item #: HLB-9407S

• Weight (lbs): 1.08



Contents	Size (in)	Overall Length (in)
HLB-9418-2	1/8	6-1/8
HLB-9419-2	5/32	6-1/8
HLB-9420-2	3/16	6-7/64
HLB-9421-2	7/32	6-1/8
HLB-9422-2	1/4	6-9/64
HLB-9423-2	5/16	6-7/64
HLB-9424-2	3/8	6-7/64
Clip Rail		

**8 PIECE 3/8" DRIVE LONG BALL METRIC
HEX BIT SOCKET SET**

Item #: HLB-9408MS

• Weight (lbs): 1.38



Contents	Size (mm)	Overall Length (in)
HLB-9403M-2	3 mm	6-7/64
HLB-9404M-2	4 mm	6-1/8
HLB-9405M-2	5 mm	6-1/8
HLB-9406M-2	6 mm	6-7/64
HLB-9407M-2	7 mm	6-7/64
HLB-9408M-2	8 mm	6-9/64
HLB-9409M-2	9 mm	6-1/8
HLB-9410M-2	10 mm	6-9/64
Clip Rail		

**7 PIECE 3/8" DRIVE SLOTTED/PHILLIPS®
BIT SOCKET SET**

Item #: HW-9507S

• Weight (lbs): 0.59



Contents	Size	Overall Length (in)
HW-9450-2	#1	1-13/16
HW-9451-2	#2	1-53/64
HW-9452-2	#3	1-53/64
HW-9453-2	#4	1-53/64
HW-9504-2	3/16	1-53/64
HW-9505-2	1/4	1-53/64
HW-9506-2	5/16	1-27/32
Clip Rail		





3/8" DRIVE PEAR HEAD QUICK-RELEASE RATCHET

- 72 tooth fine gear ratcheting mechanism. FOD Compliant, sealed head design. Ultra-compact head design. Ergonomic grip with molded branding.



Number of Teeth	Overall Length (in)	Weight (lbs)	Item No.
72	7-1/2	0.53	BP-1338QR

ASME B107.10

3/8" DRIVE ROUND HEAD RATCHET

- Chrome plated positive grip ratchet. 41 tooth design. Works easily in confined areas. Knurled speed ring means you can start the fastener without turning the handle.



Number of Teeth	Overall Length (in)	Weight (lbs)	Item No.
41	10-5/64	0.79	34945B

ASME B107.10M

3/8" DRIVE PEAR HEAD RATCHET

- 72 tooth fine gear ratcheting mechanism. FOD Compliant, sealed head design. Ultra-compact head design. Ergonomic grip with molded branding.



Number of Teeth	Overall Length (in)	Weight (lbs)	Item No.
72	7-1/2	0.54	BP-1338

ASME B107.10

3/8" DRIVE BENT HANDLE FLEX-HEAD RATCHET



Number of Teeth	Overall Length (in)	Weight (lbs)	Item No.
41	10-27/32	1.01	34947B
Repair Kit		0.23	34945BR

3/8" DRIVE ROUND HEAD QUICK-RELEASE RATCHET

- Full polish. Chrome plated positive grip ratchet. 41 tooth design, double pawl. 8.8 degrees of arc required for new "bite." Works easily in confined areas. Knurled speed ring means you can start the fastener without turning the handle.



Number of Teeth	Overall Length (in)	Weight (lbs)	Item No.
41	10-5/64	0.76	34946B

ASME B107.10M

3/8" DRIVE FLEX-HEAD RATCHET

- Same head design as the 34945B. No grooves or ball bearing to wear out in the hinge. Springs in each of the forks of the hinge allow for infinite angles.



Number of Teeth	Overall Length (in)	Weight (lbs)	Item No.
41	11-5/32	0.98	34935B
Repair Kit		0.23	34945BR



3/8" DRIVE MINI FLEX-HEAD RATCHET

- This compact flex head ratchet allows you to reach places inaccessible to standard ratchets. Head design is the same as the 34945B.



Number of Teeth	Overall Length (in)	Weight (lbs)	Item No.
41	5-29/32	0.62	34948B
Repair Kit		0.23	34945BR

3/8" DRIVE SPEEDER HANDLE



Overall Length (in)	Weight (lbs)	Item No.
15-1/2	0.92	34982

ASME B107.10M

3/8" DRIVE ROTATOR RATCHET

- Handle rotates 360° in either direction for rapid "twist-action" nut and fastener application and removal. Pear head design. Quick-release switch for fast socket removal.



Number of Teeth	Overall Length (in)	Weight (lbs)	Item No.
60	8-51/64	1.0	34950R

ASME B107.10M

3/8" DRIVE LOCKING EXTENSIONS

- Push button locking mechanism. Overmolded protection cap prevents dust & debris from jamming mechanism. Stamped logo, part number & size markings.



Overall Length (in)	Weight (lbs)	Item No.
3	0.18	34988L
5-7/8	0.32	34987L
9-53/64	0.51	34984L

3/8" DRIVE FLEX HANDLE



Overall Length (in)	Weight (lbs)	Item No.
9-51/64	0.67	34986B

ASME B107.10M

3/8" DRIVE EXTENSIONS



Overall Length (in)	Drive End Diameter (in)	Weight (lbs)	Item No.
1-7/8	45/64	0.10	34989
2-15/16	45/64	0.16	34988
5-15/16	45/64	0.32	34987
11-15/16	45/64	0.63	34984
20	21/32	1.07	34983

ASME B107.10M



3/8" DRIVE UNIVERSAL JOINT



Drive End Diameter (in)	Overall Length (in)	Weight (lbs)	Item No.
7/16	1-7/8	0.14	34993A

ASME B107.10M

3/8" DRIVE ADAPTERS



Female/Male Diameter (in)	Drive End Diameter (in)	Overall Length (in)	Weight (lbs)	Item No.
3/8 to 1/4	1-1/64	1-1/2	0.06	34963
3/8 to 1/2	3/4	1-7/16	0.10	34966

ASME B107.10M

3/8" DRIVE SPARK PLUG SOCKETS - 6 POINT



Size (in)	Drive End Diameter (in)	Working End Diameter (in)	Overall Length (in)	Weight (lbs)	Item No.
5/8	3/4	27/32	2-1/2	0.22	HW-1520S
13/16	1-5/64	1-5/64	2-3/4	0.33	HW-1526S

ASME B107.34M



3/8" DRIVE UNIVERSAL SPARK PLUG SOCKETS - 6 POINT

- Full polish universal spark plug socket.



Size (in)	Overall Length (in)	Weight (lbs)	Item No.
5/8	3-3/8	0.26	30320SA
13/16	3-1/2	0.41	30326A

ASME B107.34M

3/8" DRIVE UNIVERSAL SOCKETS - 6 POINT



Size (in)	Overall Length (in)	Weight (lbs)	Item No.
3/8	1-45/64	0.12	30212HA
7/16	1-51/64	0.13	30214HA
1/2	1-51/64	0.14	30216HA
9/16	1-51/64	0.14	30218HA
5/8	1-29/32	0.15	30220HA
11/16	1-29/32	0.17	30222HA
3/4	2	0.18	30224HA

ASME B107.1

3/8" DRIVE METRIC UNIVERSAL SOCKETS - 6 POINT



Size (mm)	Overall Length (in)	Weight (lbs)	Item No.
9 mm	1-45/64	0.12	30209HAM
10 mm	1-51/64	0.13	30210HAM
11 mm	1-51/64	0.14	30211HAM
12 mm	1-51/64	0.14	30212HAM
13 mm	1-29/32	0.14	30213HAM
14 mm	1-29/32	0.14	30214HAM
15 mm	2	0.15	30215HAM

ASME B107.5M



3/8" DRIVE SOCKETS - 6 POINT



Size (in)	Drive End Diameter (in)	Working End Diameter (in)	Overall Length (in)	Weight (lbs)	Item No.
1/4	43/64	25/64	29/32	0.05	30608
5/16	43/64	1/2	29/32	0.05	30010
3/8	43/64	9/16	29/32	0.05	30612
7/16	43/64	41/64	29/32	0.05	30614
1/2	47/64	47/64	1	0.07	30616
9/16	51/64	51/64	1	0.08	30618
5/8	3/4	55/64	1	0.1	30620
11/16	27/32	61/64	1	0.1	30622
3/4	61/64	1-1/32	1-3/32	0.13	30624
13/16	31/32	1-3/32	1-13/64	0.15	30626
7/8	1-1/16	1-3/16	1-13/64	0.2	30628
15/16	1-5/32	1-1/4	1-13/64	0.22	30630
1"	1-1/4	1-21/64	1-13/32	0.27	30632

ASME B107.1

3/8" DRIVE METRIC SOCKETS - 6 POINT



Size (mm)	Drive End Diameter (in)	Working End Diameter (in)	Overall Length (in)	Weight (lbs)	Item No.
7 mm	43/64	27/64	29/32	0.05	32007M
8 mm	43/64	15/32	29/32	0.05	32008M
9 mm	43/64	33/64	29/32	0.05	32009M
10 mm	43/64	19/32	29/32	0.05	32010M
11 mm	43/64	41/64	29/32	0.06	32011M
12 mm	43/64	43/64	1	0.06	32012M
13 mm	47/64	47/64	1	0.07	32013M
14 mm	25/32	25/32	1	0.08	32014M
15 mm	27/32	27/32	1	0.09	32015M
16 mm	55/64	55/64	1	0.1	32016M
17 mm	59/64	59/64	1	0.12	32017M
18 mm	61/64	61/64	1-3/32	0.13	32018M
19 mm	1	1	1-3/32	0.14	32019M
20 mm	1-3/32	1-3/32	1-13/64	0.18	32020M
21 mm	1-3/32	1-3/32	1-13/64	0.17	32021M
22 mm	1-5/32	1-5/32	1-13/64	0.21	32022M

ASME B107.5M

3/8" DRIVE SOCKETS

3/8" DRIVE SOCKETS



3/8" DRIVE DEEP SOCKETS - 6 POINT



Size (in)	Drive End Diameter (in)	Working End Diameter (in)	Overall Length (in)	Weight (lbs)	Item No.
5/16	21/32	15/32	2-1/8	0.09	HW-1510
3/8	21/32	9/16	1-13/16	0.09	HW-1512
7/16	41/64	41/64	1-13/16	0.10	HW-1514
1/2	23/32	23/32	1-13/16	0.12	HW-1516
9/16	51/64	51/64	1-63/64	0.18	HW-1518
5/8	55/64	55/64	2-7/64	0.20	HW-1520
11/16	61/64	61/64	2-7/32	0.24	HW-1522
3/4	1-1/32	1-1/32	2-7/32	0.27	HW-1524
13/16	1-3/32	1-3/32	2-33/64	0.33	HW-1526
7/8	1-11/64	1-11/64	2-1/2	0.40	HW-1528
15/16	1-15/64	1-15/64	2-49/64	0.50	HW-1530
1	1-21/64	1-21/64	2-49/64	0.56	HW-1532

ASME B107.1

3/8" DRIVE METRIC DEEP SOCKETS - 6 POINT



Size (mm)	Drive End Diameter (in)	Working End Diameter (in)	Overall Length (in)	Weight (lbs)	Item No.
7 mm	21/32	27/64	2-1/8	0.10	HW-1507M
8 mm	21/32	15/32	2-1/8	0.10	HW-1508M
9 mm	21/32	33/64	2-7/64	0.11	HW-1509M
10 mm	21/32	37/64	1-51/64	0.11	HW-1510M
11 mm	41/64	41/64	1-53/64	0.11	HW-1511M
12 mm	45/64	45/64	1-51/64	0.12	HW-1512M
13 mm	23/32	23/32	1-53/64	0.13	HW-1513M
14 mm	25/32	25/32	2-1/64	0.16	HW-1514M
15 mm	55/64	55/64	2-7/64	0.21	HW-1515M
17 mm	59/64	59/64	2-13/64	0.22	HW-1517M
18 mm	15/16	15/16	2-15/64	0.22	HW-1518M
19 mm	1-1/64	1-1/64	2-7/32	0.33	HW-1519M

ASME B107.1



3/8" DRIVE SOCKETS - 8 POINT



Size (in)	Drive End Diameter (in)	Working End Diameter (in)	Overall Length (in)	Weight (lbs)	Item No.
1/4	43/64	9/16	29/32	0.06	31108
5/16	43/64	19/32	29/32	0.06	31110
3/8	45/64	45/64	29/32	0.07	31112
7/16	13/16	13/16	29/32	0.10	31114
1/2	27/32	27/32	1	0.11	31116

ASME B107.1

3/8" DRIVE SOCKETS - 12 POINT



Size (in)	Drive End Diameter (in)	Working End Diameter (in)	Overall Length (in)	Weight (lbs)	Item No.
5/16	43/64	1/2	29/32	0.05	30010A
3/8	43/64	9/16	29/32	0.05	30012
7/16	43/64	41/64	29/32	0.05	30014
1/2	47/64	47/64	29/32	0.07	30016
9/16	51/64	51/64	1	0.09	30018
5/8	3/4	55/64	1	0.09	30020
11/16	27/32	61/64	1	0.10	30022
3/4	61/64	1-1/32	1-3/32	0.14	30024
13/16	31/32	1-3/32	1-13/64	0.15	30026
7/8	1-1/16	1-3/16	1-13/64	0.19	30028
15/16	1-5/32	1-1/4	1-13/64	0.30	300301
1	1-7/32	1-19/64	1-13/32	0.32	300321

ASME B107.1

3/8" DRIVE METRIC SOCKETS - 12 POINT



Size (mm)	Drive End Diameter (in)	Working End Diameter (in)	Overall Length (in)	Weight (lbs)	Item No.
7 mm	43/64	27/64	29/32	0.05	34007M
8 mm	43/64	15/32	29/32	0.05	34008M
9 mm	43/64	33/64	29/32	0.06	34009M
10 mm	43/64	19/32	29/32	0.06	34010M
11 mm	43/64	41/64	29/32	0.06	34011M
12 mm	45/64	45/64	1	0.06	34012M
13 mm	47/64	47/64	1	0.08	34013M
14 mm	25/32	25/32	1	0.08	34014M
15 mm	27/32	27/32	1	0.10	34015M
16 mm	55/64	55/64	1	0.10	34016M
17 mm	59/64	59/64	1	0.13	34017M
18 mm	61/64	61/64	1-3/32	0.14	34018M
19 mm	1	1	1-3/32	0.14	34019M
20 mm	1-3/32	1-3/32	1-13/64	0.17	34020M
21 mm	1-3/32	1-3/32	1-13/64	0.18	34021M
22 mm	1-5/32	1-5/32	1-13/64	0.21	34022M

ASME B107.5M



3/8" DRIVE DEEP SOCKETS - 12 POINT



Size (in)	Drive End Diameter (in)	Working End Diameter (in)	Overall Length (in)	Weight (lbs)	Item No.
3/8	21/32	9/16	1-51/64	0.09	30412
7/16	41/64	41/64	1-51/64	0.09	30414
1/2	23/32	23/32	1-51/64	0.12	30416
9/16	13/16	13/16	2	0.16	30418
5/8	55/64	55/64	2-3/32	0.18	30420
11/16	15/16	15/16	2-13/64	0.23	30422
3/4	1-1/64	1-1/64	2-13/64	0.25	30424
13/16	1-3/32	1-3/32	2-1/2	0.32	30426
7/8	1-11/64	1-11/64	2-1/2	0.38	30428
15/16	1-1/4	1-1/4	2-1/2	0.47	30430
1	1-21/64	1-21/64	2-1/2	0.52	30432

ASME B107.1

3/8" DRIVE METRIC DEEP SOCKETS - 12 POINT



Size (mm)	Drive End Diameter (in)	Working End Diameter (in)	Overall Length (in)	Weight (lbs)	Item No.
7 mm	21/32	7/16	2-9/64	0.10	HW-1607M
8 mm	21/32	15/32	2-1/8	0.10	HW-1608M
9 mm	21/32	33/64	2-1/8	0.11	HW-1609M
10 mm	21/32	37/64	2-9/64	0.11	HW-1610M
11 mm	21/32	21/32	2-1/8	0.12	HW-1611M
12 mm	45/64	45/64	2-9/64	0.12	HW-1612M
13 mm	23/32	23/32	2-9/64	0.16	HW-1613M
14 mm	25/32	25/32	2-9/64	0.16	HW-1614M
15 mm	55/64	55/64	2-3/4	0.24	HW-1615M
16 mm	55/64	55/64	2-3/4	0.24	HW-1616M
17 mm	15/16	15/16	2-3/4	0.27	HW-1617M
18 mm	15/16	15/16	2-49/64	0.27	HW-1618M
19 mm	1-1/64	1-1/64	2-49/64	0.31	HW-1619M

ASME B107.5M



3/8" DRIVE HEX BIT SOCKETS

• Zinc phosphate finish on bits. Pressed In, Foreign Object Debris (FOD) Compliant. Easy to read stamped markings.



Size (in)	Overall Length		Item No.
	(in)	Weight (lbs)	
1/16	1-51/64	0.06	HW-9438-2
5/64	1-13/16	0.06	HW-9439-2
3/32	1-53/64	0.06	HW-9440-2
7/64	1-13/16	0.06	HW-9441-2
1/8	1-13/16	0.07	HW-9442-2
9/64	1-53/64	0.07	HW-9443-2
5/32	1-53/64	0.07	HW-9444-2
3/16	1-53/64	0.08	HW-9449-2
7/32	1-13/16	0.09	HW-9448-2
1/4	1-13/16	0.09	HW-9447-2
5/16	1-13/16	0.10	HW-9446-2
3/8	1-13/16	0.14	HW-9445-2

3/8" DRIVE METRIC HEX BIT SOCKETS

• Zinc phosphate finish on bits. Pressed In, Foreign Object Debris (FOD) Compliant. Easy to read stamped markings.



Size (mm)	Overall Length		Item No.
	(in)	Weight (lbs)	
2 mm	1-51/64	0.06	HW-9402M-2
2.5 mm	1-51/64	0.06	HW-94025M-2
3 mm	1-51/64	0.06	HW-9403M-2
4 mm	1-51/64	0.06	HW-9404M-2
5 mm	1-51/64	0.08	HW-9405M-2
6 mm	1-51/64	0.09	HW-9406M-2
7 mm	1-51/64	0.09	HW-9407M-2
8 mm	1-51/64	0.10	HW-9408M-2
9 mm	1-13/16	0.13	HW-9409M-2
10 mm	1-51/64	0.14	HW-9410M-2
11 mm	1-51/64	0.15	HW-9411M-2
12 mm	1-13/16	0.15	HW-9412M-2

3/8" DRIVE LONG BALL HEX BIT SOCKETS

• Zinc phosphate finish on bits. Pressed In, Foreign Object Debris (FOD) Compliant. Easy to read stamped markings.



Size (in)	Overall Length		Item No.
	(in)	Weight (lbs)	
1/8	6-1/8	0.09	HLB-9418-2
5/32	6-1/8	0.10	HLB-9419-2
3/16	6-7/64	0.12	HLB-9420-2
7/32	6-1/8	0.14	HLB-9421-2
1/4	6-9/64	0.15	HLB-9422-2
5/16	6-7/64	0.19	HLB-9423-2
3/8	6-7/64	0.29	HLB-9424-2

14MM SOCKETS

3/8" DRIVE HEX BIT SOCKETS



3/8" DRIVE LONG BALL METRIC HEX BIT SOCKETS

• Zinc phosphate finish on bits. Pressed In, Foreign Object Debris (FOD) Compliant. Easy to read stamped markings.



Size (mm)	Overall Length		Item No.
	(in)	Weight (lbs)	
3 mm	6-7/64	0.09	HLB-9403M-2
4 mm	6-1/8	0.11	HLB-9404M-2
5 mm	6-1/8	0.12	HLB-9405M-2
6 mm	6-7/64	0.15	HLB-9406M-2
7 mm	6-7/64	0.17	HLB-9407M-2
8 mm	6-9/64	0.20	HLB-9408M-2
9 mm	6-1/8	0.25	HLB-9409M-2
10 mm	6-9/64	0.29	HLB-9410M-2

3/8" DRIVE SLOTTED SCREWDRIVER BIT SOCKETS

• Zinc phosphate finish on bits. Pressed In, Foreign Object Debris (FOD) Compliant. Easy to read stamped markings.



Size (in)	Overall Length		Item No.
	(in)	Weight (lbs)	
3/16	1-53/64	0.08	HW-9504-2
1/4	1-53/64	0.08	HW-9505-2
5/16	1-27/32	0.09	HW-9506-2

3/8" DRIVE PHILLIPS® BIT SOCKETS

• Zinc phosphate finish on bits. Pressed In, Foreign Object Debris (FOD) Compliant. Easy to read stamped markings.



Size	Overall Length		Item No.
	(in)	Weight (lbs)	
#1	1-13/16	0.08	HW-9450-2
#2	1-53/64	0.08	HW-9451-2
#3	1-53/64	0.09	HW-9452-2
#4	1-53/64	0.09	HW-9453-2



3/8" DRIVE CROWFOOT WRENCHES



Size (in)	Open-End Width (in)	Open-End Thickness (in)	Overall Length (in)	Weight (lbs)	Item No.
3/8	59/64	1/4	1-7/32	0.06	BCF-12
7/16	59/64	1/4	1-3/16	0.06	BCF-14
1/2	1-7/64	1/4	1-11/32	0.07	BCF-16
9/16	1-7/64	1/4	1-5/16	0.08	BCF-18
5/8	1-23/64	1/4	1-33/64	0.09	BCF-20
11/16	1-23/64	1/4	1-31/64	0.10	BCF-22
3/4	1-39/64	1/4	2-11/16	0.11	BCF-24
13/16	1-39/64	1/4	3-11/16	0.11	BCF-26
7/8	1-39/64	1/4	4-11/16	0.12	BCF-28
1	1-11/16	1/4	1-47/64	0.14	BCF-32

ASME B107.21

3/8" DRIVE METRIC CROWFOOT WRENCHES



Size (mm)	Open-End Width (in)	Open-End Thickness (in)	Overall Length (in)	Weight (lbs)	Item No.
10 mm	59/64	1/4	1-7/32	0.06	BCF-10M
11 mm	59/64	1/4	1-7/32	0.07	BCF-11M
12 mm	1-7/64	1/4	1-11/32	0.07	BCF-12M
13 mm	2-7/64	1/4	1-11/32	0.07	BCF-13M
14 mm	1-7/64	1/4	1-11/32	0.09	BCF-14M
15 mm	1-23/64	1/4	1-33/64	0.09	BCF-15M
16 mm	1-23/64	1/4	1-33/64	0.09	BCF-16M
17 mm	1-23/64	1/4	1-33/64	0.09	BCF-17M
19 mm	1-39/64	1/4	1-11/16	0.11	BCF-19M
21 mm	1-39/64	1/4	1-11/16	0.11	BCF-21M
22 mm	1-39/64	1/4	1-11/16	0.12	BCF-22M

ASME B107.21

HAND SOCKETS

3/8" DRIVE CROWFOOT WRENCHES



1/2" DRIVE 26 PIECE STANDARD SET

Item #: 1226NB

• Weight (lbs): 14.0



1/2" DRIVE 17 PIECE STANDARD SET

Item #: 1217-S

• Weight (lbs): 9.9



Contents	Size (in)	Overall Length (in)	Point Count
40416	1/2	3-3/32	6
40418	9/16	3-3/32	6
40420	5/8	3-3/32	6
40422	11/16	3-3/32	6
40424	3/4	3-3/32	6
40426	13/16	3-3/32	6
40428	7/8	3-3/32	6
40430	15/16	3-3/32	6
40432	1	3-3/32	6
40614	7/16	1-1/2	6
40616	1/2	1-1/2	6
40618	9/16	1-1/2	6
40620	5/8	1-1/2	6
40622	11/16	1-1/2	6
40624	3/4	1-1/2	6
40626	13/16	1-1/2	6
40628	7/8	1-1/2	6
40630	15/16	1-1/2	6
40632	1	1-19/32	6
40634	1-1/16	1-45/64	6
40636	1-1/8	1-45/64	6
40640	1-1/4	1-51/64	6
49978A	1/2" Drive Universal Joint		
49966	1/2" Drive Extension - 5"		
49988B	1/2" Drive Flex Handle		
49945B	1/2" Drive Round Head Knurled Reversible Ratchet		

Contents	Size (in)	Overall Length (in)	Point Count
40126	13/16	1-1/2	12
40128	7/8	1-1/2	12
40130	15/16	1-1/2	12
40132	1	1-19/32	12
40134	1-1/16	1-45/64	12
40136	1-1/8	1-45/64	12
40140	1-1/4	1-51/64	12
40612	3/8	1-1/2	6
40614	7/16	1-1/2	6
40616	1/2	1-1/2	6
40618	9/16	1-1/2	6
40620	5/8	1-1/2	6
40622	11/16	1-1/2	6
40624	3/4	1-1/2	6
49988B	1/2" Drive Flex Handle		
49966	1/2" Drive Extension - 5"		
49945B	1/2" Drive Round Head Knurled Reversible Ratchet		



1/2" DRIVE 17 PIECE METRIC SET

Item #: 1217-MNB

• Weight (lbs): 9.0



1/2" DRIVE 17 PIECE STANDARD SET

Item #: 1218-S

• Weight (lbs): 9.9



Contents	Size (mm)	Overall Length (in)	Point Count
43010M	10 mm	1-1/2	12
43011M	11 mm	1-1/2	12
43012M	12 mm	1-1/2	12
43013M	13 mm	1-1/2	12
43014M	14 mm	1-1/2	12
42017M	17 mm	1-1/2	12
42019M	19 mm	1-1/2	12
42022M	22 mm	1-1/2	12
42023M	23 mm	1-1/2	12
42024M	24 mm	1-1/2	12
42025M	25 mm	1-19/32	12
42026M	26 mm	1-19/32	12
42027M	27 mm	1-45/64	12
42028M	28 mm	1-45/64	12
49945B	1/2" Drive Round Head Knurled Reversible Ratchet		
49988B	1/2" Drive Flex Handle		
49966	1/2" Drive Extension - 5"		

Contents	Size (in)	Overall Length (in)	Point Count
40612	3/8	1-1/2	6
40614	7/16	1-1/2	6
40616	1/2	1-1/2	6
40618	9/16	1-1/2	6
40620	5/8	1-1/2	6
40622	11/16	1-1/2	6
40624	3/4	1-1/2	6
40626	13/16	1-1/2	6
40628	7/8	1-1/2	6
40630	15/16	1-1/2	6
40632	1	1-19/32	6
40634	1-1/16	1-45/64	6
40636	1-1/8	1-45/64	6
40640	1-1/4	1-51/64	6
49988B	1/2" Drive Flex Handle		
49966	1/2" Drive Extension - 5"		
49945B	1/2" Drive Round Head Knurled Reversible Ratchet		

1/4" DRIVE SETS

1/2" DRIVE SETS



1/2" DRIVE 15 PIECE STANDARD SOCKET SET

Item #: 315-S

• Weight (lbs): 3.7



Contents	Size (in)	Overall Length (in)	Point Count
40112	3/8	1-1/2	12
40114	7/16	1-1/2	12
40116	1/2	1-1/2	12
40118	9/16	1-1/2	12
40120	5/8	1-1/2	12
40122	11/16	1-1/2	12
40124	3/4	1-1/2	12
40126	13/16	1-1/2	12
40128	7/8	1-1/2	12
40130	15/16	1-1/2	12
40132	1	1-19/32	12
40134	1-1/16	1-45/64	12
40136	1-1/8	1-45/64	12
40138	1-3/16	1-51/64	12
40140	1-1/4	1-51/64	12
Clip Rail			

1/2" DRIVE 15 PIECE METRIC SOCKET SET

Item #: 315-M

• Weight (lbs): 2.4



Contents	Size (mm)	Overall Length (in)	Point Count
43010M	10 mm	1-1/2	12
43011M	11 mm	1-1/2	12
43012M	12 mm	1-1/2	12
43013M	13 mm	1-1/2	12
43014M	14 mm	1-1/2	12
42015M	15 mm	1-1/2	12
42017M	17 mm	1-1/2	12
42018M	18 mm	1-1/2	12
42019M	19 mm	1-1/2	12
42021M	21 mm	1-1/2	12
42022M	22 mm	1-1/2	12
42024M	24 mm	1-1/2	12
42027M	27 mm	1-45/64	12
42030M	30 mm	1-45/64	12
42032M	32 mm	1-51/64	12
Clip Rail			

1/2" DRIVE 11 PIECE STANDARD SOCKET SET

Item #: 314-B

• Weight (lbs): 4.2



Contents	Size (in)	Overall Length (in)	Point Count
40612	3/8	1-1/2	6
40614	7/16	1-1/2	6
40616	1/2	1-1/2	6
40618	9/16	1-1/2	6
40620	5/8	1-1/2	6
40622	11/16	1-1/2	6
40624	3/4	1-1/2	6
40626	13/16	1-1/2	6
40628	7/8	1-1/2	6
40630	15/16	1-1/2	6
40632	1	1-19/32	6
Clip Rail			

1/2" DRIVE 11 PIECE STANDARD DEEP SOCKET SET

Item #: 314-C

• Weight (lbs): 4.0



Contents	Size (in)	Overall Length (in)	Point Count
40316	1/2	3-3/32	12
40318	9/16	3-3/32	12
40320	5/8	3-3/32	12
40322	11/16	3-3/32	12
40324	3/4	3-3/32	12
40326	13/16	3-3/32	12
40328	7/8	3-3/32	12
40330	15/16	3-3/32	12
40332	1	3-3/32	12
40334	1-1/16	3-3/32	12
40336	1-1/8	3-3/32	12
Clip Rail			



1/2" DRIVE 10 PIECE STANDARD SOCKET SET

Item #: 210-B

• Weight (lbs): 1.5



Contents	Size (in)	Overall Length (in)	Point Count
40114	7/16	1-1/2	12
40116	1/2	1-1/2	12
40118	9/16	1-1/2	12
40120	5/8	1-1/2	12
40122	11/16	1-1/2	12
40124	3/4	1-1/2	12
40126	13/16	1-1/2	12
40128	7/8	1-1/2	12
40130	15/16	1-1/2	12
40132	1	1-19/32	12
Clip Rail			

1/2" DRIVE 10 PIECE METRIC DEEP SOCKET SET

Item #: 310-C

• Weight (lbs): 3.7



Contents	Size (mm)	Overall Length (in)	Point Count
45010M	10 mm	3-3/32	6
45011M	11 mm	3-3/32	6
45012M	12 mm	3-3/32	6
45013M	13 mm	3-3/32	6
45014M	14 mm	3-3/32	6
45015M	15 mm	3-3/32	6
45016M	16 mm	3-3/32	6
45017M	17 mm	3-3/32	6
45018M	18 mm	3-3/32	6
45019M	19 mm	3-3/32	6
Clip Rail			

1/2" DRIVE 10 PIECE METRIC SOCKET SET

Item #: 310-MNB

• Weight (lbs): 3.42



Contents	Size (mm)	Overall Length (in)	Point Count
43010M	10 mm	1-1/2	12
43011M	11 mm	1-1/2	12
43012M	12 mm	1-1/2	12
43013M	13 mm	1-1/2	12
43014M	14 mm	1-1/2	12
42015M	15 mm	1-1/2	12
42016M	16 mm	1-1/2	12
42017M	17 mm	1-1/2	12
42018M	18 mm	1-1/2	12
42019M	19 mm	1-1/2	12
Clip Rail			

1/2" DRIVE 10 PIECE METRIC DEEP SOCKET SET

Item #: 309-M

• Weight (lbs): 3.7



Contents	Size (mm)	Overall Length (in)	Point Count
44010M	10 mm	3-3/32	12
44011M	11 mm	3-3/32	12
44012M	12 mm	3-3/32	12
44013M	13 mm	3-3/32	12
44014M	14 mm	3-3/32	12
44015M	15 mm	3-3/32	12
44016M	16 mm	3-3/32	12
44017M	17 mm	3-3/32	12
44018M	18 mm	3-3/32	12
44019M	19 mm	3-3/32	12
Clip Rail			



1/2" DRIVE 9 PIECE STANDARD DEEP SOCKET SET

Item #: 309-BS

• Weight (lbs): 3.6



Contents	Size (in)	Overall Length (in)	Point Count
40416	1/2	3-3/32	6
40418	9/16	3-3/32	6
40420	5/8	3-3/32	6
40422	11/16	3-3/32	6
40424	3/4	3-3/32	6
40426	13/16	3-3/32	6
40428	7/8	3-3/32	6
40430	15/16	3-3/32	6
40432	1	3-3/32	6
Clip Rail			

1/2" DRIVE 7 PIECE HEX BIT SOCKET SET - SAE

Item #: HW-9607S

• Weight (lbs): 1.89



Contents	Size (in)	Overall Length (in)
HW-9606-2	5/16	2-1/2
HW-9607-2	3/8	2-1/2
HW-9608-2	7/16	2-1/2
HW-9609-2	1/2	2-1/2
HW-9610-2	9/16	2-1/2
HW-9611-2	5/8	2-1/2
HW-9612-2	3/4	2-1/2
Clip Rail		

1/2" DRIVE 8 PIECE METRIC SOCKET SET

Item #: 308-M

• Weight (lbs): 1.6



Contents	Size (mm)	Overall Length (in)	Point Count
42010M	10 mm	1-1/2	6
42011M	11 mm	1-1/2	6
42012M	12 mm	1-1/2	6
42013M	13 mm	1-1/2	6
42014M	14 mm	1-1/2	6
43015M	15 mm	1-1/2	6
43017M	17 mm	1-1/2	6
43019M	19 mm	1-1/2	6
Clip Rail			

1/2" DRIVE 7 PIECE HEX BIT SOCKET SET - METRIC

Item #: HW-9507MS

• Weight (lbs): 1.88



Contents	Size (mm)	Overall Length (in)
HW-9606M-2	6 mm	2-1/2
HW-9608M-2	8 mm	2-1/2
HW-9610M-2	10 mm	2-1/2
HW-9612M-2	12 mm	2-1/2
HW-9614M-2	14 mm	2-1/2
HW-9617M-2	17 mm	2-1/2
HW-9619M-2	19 mm	2-1/2
Clip Rail		



1/2" DRIVE PEAR HEAD QUICK-RELEASE RATCHET

• 72 tooth fine gear ratcheting mechanism. FOD Compliant, sealed head design. Ultra-compact head design. Ergonomic grip with molded branding.



Number of Teeth	Overall Length (in)	Weight (lbs)	Item No.
72	10-5/16	1.09	BP-1412QR

ASME B107.10

1/2" DRIVE PEAR HEAD RATCHET

• 72 tooth fine gear ratcheting mechanism. FOD Compliant, sealed head design. Ultra-compact head design. Ergonomic grip with molded branding.



Number of Teeth	Overall Length (in)	Weight (lbs)	Item No.
72	10-5/16	1.11	BP-1412

ASME B107.10

1/2" DRIVE ROUND HEAD QUICK-RELEASE RATCHET

• Full polish. Chrome plated positive grip ratchet. 45 tooth design, double pawl. 8.0 degrees of arc required for new "bite." Works easily in confined areas. Knurled speed ring means you can start the fastener without turning the handle.



Number of Teeth	Overall Length (in)	Weight (lbs)	Item No.
45	10-3/32	1.22	49946B

ASME B107.10M

1/2" DRIVE ROUND HEAD RATCHET

• Chrome plated positive grip ratchet. 45 tooth design. Works easily in confined areas. Knurled speed ring means you can start the fastener without turning the handle.



Number of Teeth	Overall Length (in)	Weight (lbs)	Item No.
45	10-3/32	1.34	49945B

ASME B107.10M

1/2" DRIVE FLEX HANDLE



Overall Length (in)	Weight (lbs)	Item No.
16-31/64	1.76	49988B

ASME B107.10M

1/2" DRIVE SPEEDER HANDLE



Overall Length (in)	Weight (lbs)	Item No.
17-51/64	1.76	49992

ASME B107.10M



1/2" DRIVE LOCKING EXTENSIONS

- Push button locking mechanism. Overmolded protection cap prevents dust & debris from jamming mechanism. Stamped logo, part number & size markings.



Overall Length (in)	Weight (lbs)	Item No.
2-61/64	0.30	49964L
5-15/16	0.57	49966L
9-7/8	0.96	49990L

1/2" DRIVE EXTENSIONS



Overall Length (in)	Drive End Diameter (in)	Weight (lbs)	Item No.
2	57/64	0.21	49964
5-1/8	57/64	0.46	49966
10	57/64	0.90	49990
19	15/16	1.92	49972

ASME B107.10M

1/2" DRIVE ADAPTERS



Female/ Male	Overall Length (in)	Weight (lbs)	Item No.
1/2 to 3/8	1-7/16	0.13	34965
1/2 to 3/4	1-11/16	0.25	69992

ASME B107.10M

1/2" DRIVE UNIVERSAL JOINT



Overall Length (in)	Weight (lbs)	Item No.
2-45/64	0.29	49978A

ASME B107.10M





1/2" DRIVE DRAG LINK SOCKET

- A sturdy screwdriver type socket with bit for drag links, drain plugs, slotted nuts and screws.
- Will fit any standard 1/2" square drive too.



Width (in)	Item No.
15/16	49979

1/2" DRIVE SOCKETS - 6 POINT



Size (in)	Drive End Diameter (in)	Working End Diameter (in)	Overall Length (in)	Weight (lbs)	Item No.
3/8	55/64	37/64	1-1/2	0.10	40612
7/16	55/64	43/64	1-1/2	0.12	40614
1/2	55/64	3/4	1-1/2	0.13	40616
9/16	55/64	13/16	1-1/2	0.14	40618
5/8	55/64	55/64	1-1/2	0.14	40620
11/16	61/64	61/64	1-1/2	0.19	40622
3/4	59/64	1-1/32	1-1/2	0.19	40624
13/16	1	1-3/32	1-1/2	0.19	40626
7/8	1-3/64	1-3/16	1-1/2	0.24	40628
15/16	1-9/64	1-1/4	1-1/2	0.26	40630
1	1-3/16	1-21/64	1-19/32	0.30	40632
1-1/16	1-17/64	1-13/32	1-45/64	0.35	40634
1-1/8	1-11/32	1-31/64	1-45/64	0.42	40636
1-1/4	1-1/2	1-39/64	1-51/64	0.48	40640
1-1/2	1-5/8	2	2-19/64	1.12	40642A

ASME B107.1

1/2" DRIVE METRIC SOCKETS - 6 POINT



Size (mm)	Drive End Diameter (in)	Working End Diameter (in)	Overall Length (in)	Weight (lbs)	Item No.
10 mm	55/64	19/32	1-1/2	0.10	42010M
11 mm	55/64	43/64	1-1/2	0.11	42011M
12 mm	55/64	23/32	1-1/2	0.12	42012M
13 mm	55/64	3/4	1-1/2	0.12	42013M
14 mm	55/64	13/16	1-1/2	0.12	42014M
15 mm	55/64	55/64	1-1/2	0.16	43015M
17 mm	61/64	61/64	1-1/2	0.16	43017M
19 mm	1-1/32	1-1/32	1-1/2	0.20	43019M
21 mm	1-1/16	1-1/16	1-1/2	0.21	43021M
22 mm	1-11/64	1-11/64	1-1/2	0.25	43022M
23 mm	1-13/64	1-13/64	1-1/2	0.26	43023M
24 mm	1-1/4	1-1/4	1-1/2	0.31	43024M
27 mm	1-13/32	1-13/32	1-45/64	0.44	43027M

ASME B107.5M



1/2" DRIVE DEEP SOCKETS - 6 POINT



Size (in)	Drive End Diameter (in)	Working End Diameter (in)	Overall Length (in)	Weight (lbs)	Item No.
1/2	55/64	3/4	3-3/32	0.27	40416
9/16	55/64	13/16	3-3/32	0.29	40418
5/8	7/8	7/8	3-3/32	0.27	40420
11/16	61/64	61/64	3-3/32	0.32	40422
3/4	1-3/64	1-3/64	3-3/32	0.41	40424
13/16	1-3/32	1-3/32	3-3/32	0.42	40426
7/8	1-11/64	1-11/64	3-3/32	0.50	40428
15/16	1-1/4	1-1/4	3-3/32	0.54	40430
1	1-5/16	1-5/16	3-3/32	0.62	40432
1-1/16	1-13/32	1-13/32	3-3/32	0.76	40434
1-1/8	1-31/64	1-31/64	3-3/32	0.79	40436

ASME B107.1

1/2" DRIVE DEEP METRIC SOCKETS - 6 POINT



Size (mm)	Drive End Diameter (in)	Working End Diameter (in)	Overall Length (in)	Weight (lbs)	Item No.
10 mm	55/64	39/64	3-3/32	0.23	45010M
11 mm	55/64	45/64	3-3/32	0.28	45011M
12 mm	55/64	47/64	3-3/32	0.28	45012M
13 mm	55/64	3/4	3-3/32	0.28	45013M
14 mm	27/32	27/32	3-3/32	0.28	45014M
15 mm	55/64	55/64	3-3/32	0.28	45015M
16 mm	55/64	55/64	3-3/32	0.32	45016M
17 mm	61/64	61/64	3-3/32	0.33	45017M
18 mm	1	1	3-3/32	0.36	45018M
19 mm	1	1	3-3/32	0.37	45019M
20 mm	1-3/32	1-3/32	3-3/32	0.46	45020M
21 mm	1-7/64	1-7/64	3-3/32	0.47	45021M
22 mm	1-3/16	1-3/16	3-3/32	0.51	45022M
23 mm	1-13/64	1-13/64	3-3/32	0.51	45023M
24 mm	1-1/4	1-1/4	3-3/32	0.51	45024M
25 mm	1-5/16	1-5/16	3-3/32	0.62	45025M
26 mm	1-21/64	1-21/64	3-3/32	0.63	45026M
27 mm	1-25/64	1-25/64	3-3/32	0.65	45027M

ASME B107.5M



1/2" DRIVE SOCKETS - 12 POINT



Size (in)	Drive End Diameter (in)	Working End Diameter (in)	Overall Length (in)	Weight (lbs)	Item No.
3/8	1-5/32		1-1/2	0.11	40112
7/16	7/8	11/16	1-1/2	0.11	40114
1/2	7/8	3/4	1-1/2	0.12	40116
9/16	7/8	13/16	1-1/2	0.12	40118
5/8	7/8	7/8	1-1/2	0.12	40120
11/16	15/16	15/16	1-1/2	0.16	40122
3/4	15/16	1	1-1/2	0.16	40124
13/16	1	1-1/16	1-1/2	0.18	40126
7/8	1-1/16	1-3/16	1-1/2	0.22	40128
15/16	1-1/8	1	1-1/2	0.28	40130
1	1-3/16	1-5/16	1-19/32	0.30	40132
1-1/16	1-17/64	1-13/32	1-45/64	0.32	40134
1-1/8	1-11/32	1-31/64	1-45/64	0.39	40136
1-3/16	1-27/64	1-35/64	1-51/64	0.70	40138
1-1/4	1-1/2	1-39/64	1-51/64	0.70	40140
1-1/2	1-11/16	2	2-19/64	0.70	40144A

ASME B107.1

1/2" DRIVE METRIC SOCKETS - 12 POINT



Size (mm)	Drive End Diameter (in)	Working End Diameter (in)	Overall Length (in)	Weight (lbs)	Item No.
10 mm	55/64	19/32	1-1/2	0.11	43010M
11 mm	55/64	3/4	1-1/2	0.11	43011M
12 mm	55/64	43/64	1-1/2	0.12	43012M
13 mm	55/64	3/4	1-1/2	0.12	43013M
14 mm	55/64	13/16	1-1/2	0.14	43014M
15 mm	55/64	55/64	1-1/2	0.12	42015M
16 mm	55/64	55/64	1-1/2	0.12	42016M
17 mm	61/64	61/64	1-1/2	0.17	42017M
18 mm	61/64	61/64	1-1/2	0.17	42018M
19 mm	1-1/32	1-1/32	1-1/2	0.18	42019M
20 mm	1-3/64	1-3/64	1-1/2	0.19	42020M
21 mm	1-3/32	1-3/64	1-1/2	0.20	42021M
22 mm	1-3/16	1-3/16	1-1/2	0.25	42022M
23 mm	1-13/64	1-13/64	1-1/2	0.26	42023M
24 mm	1-1/4	1-1/4	1-1/2	0.28	42024M
25 mm	1-5/16	1-5/16	1-19/32	0.30	42025M
26 mm	15/16	15/16	1-19/32	0.33	42026M
27 mm	1-13/32	1-13/32	1-45/64	0.37	42027M
28 mm	1-31/64	1-31/64	1-45/64	0.44	42028M
30 mm	1-9/16	1-9/16	1-45/64	0.48	42030M
32 mm	1-5/8	1-5/8	1-51/64	0.50	42032M
36 mm	1-31/32	1-31/32	2-13/64	0.96	42036M

ASME B107.5M

1/2" DRIVE SOCKETS

1/2" DRIVE SOCKETS



1/2" DRIVE DEEP SOCKETS - 12 POINT



Size (in)	Drive End Diameter (in)	Working End Diameter (in)	Overall Length (in)	Weight (lbs)	Item No.
1/2	55/64	3/4	3-3/32	0.26	40316
9/16	55/64	13/16	3-3/32	0.26	40318
5/8	7/8	7/8	3-3/32	0.26	40320
11/16	61/64	61/64	3-3/32	0.33	40322
3/4	1-3/64	1-3/64	3-3/32	0.39	40324
13/16	1-3/32	1-3/32	3-3/32	0.40	40326
7/8	1-11/64	1-11/64	3-3/32	0.47	40328
15/16	1-1/4	1-1/4	3-3/32	0.56	40330
1	1-21/64	1-21/64	3-3/32	0.58	40332
1-1/16	1-13/32	1-13/32	3-3/32	0.71	40334
1-1/8	1-31/64	1-31/64	3-3/32	0.72	40336

ASME B107.1

1/2" DRIVE DEEP METRIC SOCKETS - 12 POINT



Size (mm)	Drive End Diameter (in)	Working End Diameter (in)	Overall Length (in)	Weight (lbs)	Item No.
10 mm	55/64	19/32	3-3/32	0.25	44010M
11 mm	55/64	45/64	3-3/32	0.31	44011M
12 mm	55/64	47/64	3-3/32	0.27	44012M
13 mm	55/64	3/4	3-3/32	0.27	44013M
14 mm	27/32	27/32	3-3/32	0.29	44014M
15 mm	55/64	55/64	3-3/32	0.25	44015M
16 mm	55/64	55/64	3-3/32	0.26	44016M
17 mm	61/64	61/64	3-3/32	0.33	44017M
18 mm	1	1	3-3/32	0.38	44018M
19 mm	1-3/64	1-3/64	3-3/32	0.41	44019M
20 mm	1-3/32	1-3/32	3-3/32	0.44	44020M
21 mm	1-7/64	1-7/64	3-3/32	0.39	44021M
22 mm	1-3/16	1-3/16	3-3/32	0.50	44022M
23 mm	1-13/64	1-13/64	3-3/32	0.56	44023M
24 mm	1-1/4	1-1/4	3-3/32	0.54	44024M
25 mm	1-5/16	1-5/16	3-3/32	0.63	44025M
26 mm	1-21/64	1-21/64	3-3/32	0.60	44026M
27 mm	1-25/64	1-25/64	3-3/32	0.55	44027M

ASME B107.5M

HAND SOCKETS

1/2" DRIVE SOCKETS



1/2" DRIVE SPARK PLUG SOCKETS - 6 POINT



Size (in)	Drive End Diameter (in)	Working End Diameter (in)	Overall Length (in)	Weight (lbs)	Item No.
5/8	13/16	7/8	2-1/2	0.22	40320S
13/16	1-5/64	1-5/64	2-45/64	0.36	40326S

ASME B107.34M

1/2" DRIVE HEX BIT SOCKETS

- Zinc phosphate finish on bits. Pressed In, Foreign Object Debris (FOD) Compliant. Easy to read stamped markings.



Size (in)	Overall Length (in)	Weight (lbs)	Item No.
5/16	2-1/2	0.16	HW-9606-2
3/8	2-1/2	0.18	HW-9607-2
7/16	2-1/2	0.21	HW-9608-2
1/2	2-1/2	0.26	HW-9609-2
9/16	2-1/2	0.30	HW-9610-2
5/8	2-1/2	0.32	HW-9611-2
3/4	2-1/2	0.46	HW-9612-2

1/2" DRIVE METRIC HEX BIT SOCKETS

- Zinc phosphate finish on bits. Pressed In, Foreign Object Debris (FOD) Compliant. Easy to read stamped markings.



Size (mm)	Overall Length (in)	Weight (lbs)	Item No.
6 mm	2-1/2	0.15	HW-9606M-2
8 mm	2-1/2	0.16	HW-9608M-2
10 mm	2-1/2	0.18	HW-9610M-2
12 mm	2-1/2	0.25	HW-9612M-2
14 mm	2-1/2	0.30	HW-9614M-2
17 mm	2-1/2	0.38	HW-9617M-2
19 mm	2-1/2	0.46	HW-9619M-2

HAND SOCKETS

1/2" DRIVE SPARK PLUG & HEX BIT SOCKETS



3/4" DRIVE 28 PIECE STANDARD SET

Item #: 428-BS

• Weight (lbs): 67.0



Contents	Size (in)	Overall Length (in)	Point Count
60026A	3/4	2	12
60027A	13/16	2	12
60028	7/8	2	12
60030	15/16	2	12
60032	1	2	12
60034	1-1/16	2	12
60036	1-1/8	2-9/32	12
60038	1-3/16	3-9/32	12
60040	1-1/4	2-11/32	12
60042	1-5/16	3-11/32	12
60044	1-3/8	4-11/32	12
60046	1-7/16	2-15/32	12
60048	1-1/2	2-15/32	12
60050	1-9/16	2-43/64	12
60052	1-5/8	3-43/64	12
60054	1-11/16	2-25/32	12
60056	1-3/4	3-25/32	12
60058	1-13/16	2-31/32	12
60060	1-7/8	3-31/32	12
60064	2	3-5/32	12
60068	2-1/8	3-9/32	12
60072	2-1/4	3-13/32	12
60076	2-3/8	3-43/64	12
69995		3/4" Drive 8" Extension	
69994		3/4" Drive 16" Extension	
69997		3/4" Drive Sliding-Tee	
69945P		3/4" Drive Pear Head Ratchet	
69993		3/4" Drive 4" Extension	

3/4" DRIVE 11 PIECE STANDARD SET

Item #: 411-BNB

• Weight (lbs): 22.11



Contents	Size (in)	Overall Length (in)	Point Count
60030	15/16	2	12
60032	1	2	12
60034	1-1/16	2	12
60036	1-1/8	2-9/32	12
60040	1-1/4	2-11/32	12
60044	1-3/8	4-11/32	12
60046	1-7/16	2-15/32	12
60048	1-1/2	2-15/32	12
60052	1-5/8	3-43/64	12
69945P		3/4" Drive Pear Head Ratchet	
69995		3/4" Drive 8" Extension	

3/4" DRIVE 15 PIECE STANDARD SET

Item #: 415-B

• Weight (lbs): 26.0



Contents	Size (in)	Overall Length (in)	Point Count
60028	7/8	2	12
60030	15/16	2	12
60032	1	2	12
60034	1-1/16	2	12
60036	1-1/8	2-9/32	12
60038	1-3/16	3-9/32	12
60040	1-1/4	2-11/32	12
60042	1-5/16	3-11/32	12
60044	1-3/8	4-11/32	12
60046	1-7/16	2-15/32	12
60048	1-1/2	2-15/32	12
60050	1-9/16	2-43/64	12
60052	1-5/8	3-43/64	12
69945P		3/4" Drive Pear Head Ratchet	
69995		3/4" Drive 8" Extension	



3/4" DRIVE PEAR HEAD RATCHET

- 24 tooth gear design provides 15° ratcheting angle.
- Thin head design. Reversing lever for one handed operation.



Number of Teeth	Overall Length (in)	Weight (lbs)	Item No.
24	20	5.71	69945P

ASME B107.10

3/4" DRIVE HEAVY-DUTY FLEX HANDLE



Overall Length (in)	Weight (lbs)	Item No.
19	4.20	69998

ASME B107.10M

3/4" DRIVE HEAVY-DUTY SLIDE T-HANDLE

- For driving manually operated sockets. Large leverage handle for comfortable application of force. Movable/slidable square drive. Final tightening can be done with both hands.



Overall Length (in)	Weight (lbs)	Item No.
20	3.20	69997

ASME B107.10M

3/4" DRIVE HEAVY-DUTY EXTENSIONS



Drive End Diameter (in)	Overall Length (in)	Weight (lbs)	Item No.
1-13/32	4	0.87	69993
1-13/32	8-1/8	1.36	69995
1-13/32	16	2.43	69994

ASME B107.10M

3/4" DRIVE HEAVY-DUTY ADAPTERS



Female/Male	Drive End Diameter (in)	Overall Length (in)	Weight (lbs)	Item No.
3/4 to 1/2	1-1/4	1-7/8	0.28	49991
1 to 3/4	2	2-7/8	1.33	69990

ASME B107.10M



3/4" DRIVE HEAVY-DUTY SOCKETS - 12 POINT



Size (in)	Drive End Diameter (in)	Working End Diameter (in)	Overall Length (in)	Weight (lbs)	Item No.
3/4	1-1/4	1-1/4	2	0.32	60026A
13/16	1-5/16	1-5/16	2	0.38	60027A
7/8	1-5/16	1-5/16	2	0.42	60028
15/16	1-7/16	2-7/16	2	0.51	60030
1	1-1/2	1-1/2	2	0.59	60032
1-1/16	1-9/16	1-9/16	2	0.63	60034
1-1/8	1-1/2	1-5/8	2-9/32	0.68	60036
1-3/16	1-1/2	1-10/16	3-9/32	0.60	60038
1-1/4	1-11/16	1-7/8	2-11/32	0.95	60040
1-5/16	1-11/16	1-7/8	3-11/32	0.90	60042
1-3/8	1-11/16	1-7/8	4-11/32	0.86	60044
1-7/16	1-11/16	2-1/16	2-15/32	1.10	60046
1-1/2	1-11/16	2-1/16	2-15/32	1.06	60048
1-9/16	1-3/4	2-4/16	2-43/64	1.45	60050
1-5/8	1-3/4	2-1/4	3-43/64	1.36	60052
1-11/16	1-13/16	2-3/8	2-25/32	1.57	60054
1-3/4	1-3/4	2-3/8	3-25/32	1.49	60056
1-13/16	1-3/4	2-9/16	2-31/32	1.81	60058
1-7/8	1-3/4	2-9/16	3-31/32	1.81	60060
2	2	2-3/4	3-5/32	2.31	60064
2-1/8	2-1/16	2-15/16	3-9/32	2.66	60068
2-3/16	2-1/16	2-15/16	3-9/32	2.91	60070
2-1/4	2-1/16	3-1/8	3-13/32	3.15	60072
2-3/8	2-7/16	3-1/4	3-43/64	3.84	60076

ASME B107.1

3/4" DRIVE METRIC HEAVY-DUTY SOCKETS - 12 POINT



Size (mm)	Drive End Diameter (in)	Working End Diameter (in)	Overall Length (in)	Weight (lbs)	Item No.
19 mm	1-5/16	1-5/16	2	0.36	61019M
21 mm	1-5/16	1-5/16	2	0.37	61021M
22 mm	1-5/16	1-5/16	2	0.39	61022M
23 mm	1-7/16	1-7/16	2	0.50	61023M
24 mm	1-7/16	1-7/16	2	0.51	61024M
25 mm	1-1/2	1-1/2	2-1/32	0.53	61025M
26 mm	1-1/2	1-1/2	2-1/32	0.54	61026M
27 mm	1-1/2	1-9/16	2-1/32	0.61	61027M
28 mm	1-1/2	1-5/8	2-7/32	0.68	61028M
29 mm	1-1/2	1-5/8	2-7/32	0.69	61029M
30 mm	1-1/2	1-5/8	2-9/32	0.71	61030M
31 mm	1-1/2	1-3/4	2-9/32	0.77	61031M
32 mm	1-1/2	1-13/16	2-9/32	0.80	61032M
35 mm	1-11/16	1-7/8	2-11/32	0.86	61035M
36 mm	1-11/16	2-1/16	2-15/32	1.11	61036M
38 mm	1-11/16	2-1/16	2-15/32	1.22	61038M
41 mm	1-3/4	2-1/4	2-43/64	1.38	61041M
42 mm	1-3/4	2-3/8	2-25/32	1.81	61042M
46 mm	1-3/4	2-9/16	2-31/32	1.87	61046M
50 mm	2	2-3/4	3-5/32	2.36	61050M
54 mm	2-1/16	2-15/16	3-9/32	2.43	61054M
55 mm	2-1/16	2-15/16	3-9/32	2.58	61055M

ASME B107.5M



WRENCHES

RATCHETING AND STANDARD WRENCHES IN EVERY STYLE

Ratcheting wrenches have become synonymous with the Blackhawk™ by Proto® brand. Available in a variety of styles, lengths and set configurations, including the new obstacle reverse ratcheting sets with flank adapters, these wrenches offer true versatility to go places a traditional ratchet and socket cannot.

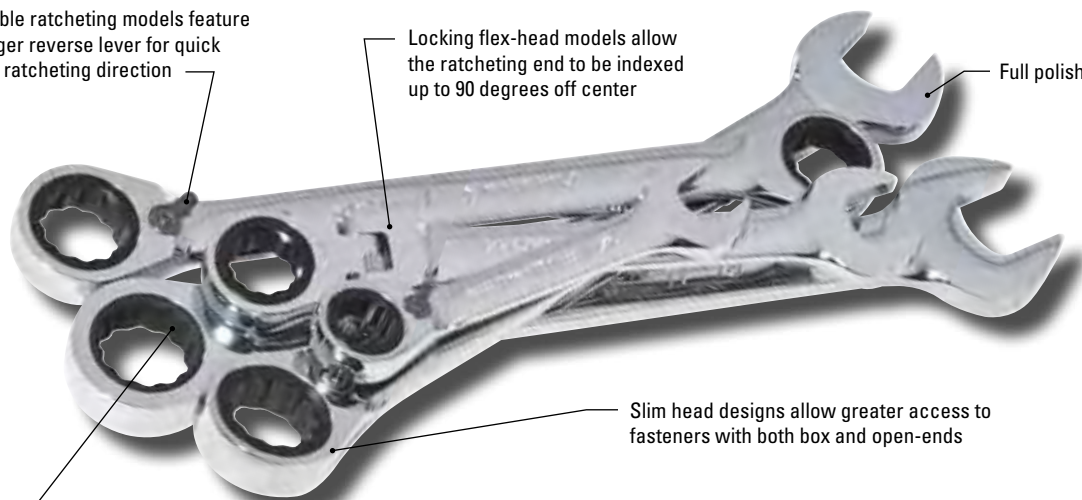
Our standard combination wrenches are available in full polish chrome, satin finish chrome, and black oxide, finished to meet the needs of our industrial end-users.



Reversible ratcheting models feature one-finger reverse lever for quick change ratcheting direction

Locking flex-head models allow the ratcheting end to be indexed up to 90 degrees off center

Full polish finish



Slim head designs allow greater access to fasteners with both box and open-ends

Seventy-two tooth mechanism features a five-degree turning arc

7 PIECE NON-REVERSE RATCHETING WRENCH SET

Item #: BW-1250

• Weight (lbs): 3.0

7 PIECE NON-REVERSE RATCHETING METRIC WRENCH SET

Item #: BW-1251

• Weight (lbs): 3.0



Contents	Size (in)	Overall Length (in)
BW-1210	3/8	5-1/4
BW-1212	7/16	5-3/4
BW-1214	1/2	6-1/2
BW-1216	9/16	7-1/4
BW-1218	5/8	8
BW-1220	11/16	8-3/4
BW-1222	3/4	9-3/4

Contents	Size (mm)	Overall Length (in)
BW-1260	10 mm	5-1/4
BW-1261	12 mm	6-1/4
BW-1262	13 mm	6-1/2
BW-1263	14 mm	7-1/4
BW-1264	15 mm	7-1/2
BW-1265	16 mm	8
BW-1267	18 mm	9





NON-REVERSING RATCHETING WRENCH



Size (in)	Open-End Width (in)	Open-End Thickness (in)	Box-End Width (in)	Box-End Thickness (in)	Overall Length (in)	Weight (lbs)	Item No.
3/8	7/8	7/32	51/64	5/16	5-1/4	0.12	BW-1210
7/16	63/64	15/64	53/64	21/64	5-3/4	0.17	BW-1212
1/2	1-3/32	17/64	1	23/64	6-1/2	0.21	BW-1214
9/16	1-15/64	17/64	1-1/16	3/8	7-1/4	0.31	BW-1216
5/8	1-23/64	9/32	1-3/16	13/32	8	0.36	BW-1218
11/16	1-1/2	5/16	1-17/64	27/64	8-3/4	0.46	BW-1220
3/4	1-17/64	21/64	1-21/64	29/64	9-3/4	0.57	BW-1222

ASME B107.100

NON-REVERSING RATCHETING WRENCH - METRIC



Size (mm)	Open-End Width (in)	Open-End Thickness (in)	Box-End Width (in)	Box-End Thickness (in)	Overall Length (in)	Weight (lbs)	Item No.
8 mm	25/32	11/64	43/64	17/64	4-1/2	0.09	BW-1258
9 mm	53/64	13/64	47/64	19/64	4-7/8	0.09	BW-1259
10 mm	57/64	13/64	51/64	5/16	5-1/4	0.13	BW-1260
11 mm	59/64	17/64	55/64	23/64	5-3/4	0.17	BW-12605
12 mm	63/64	17/64	59/64	3/8	6-1/4	0.19	BW-1261
13 mm	1-5/64	1/4	63/64	23/64	6-1/2	0.21	BW-1262
14 mm	1-1/4	9/32	1-5/64	3/8	7-1/4	0.3	BW-1263
15 mm	1-1/4	19/64	1-1/8	27/64	7-1/2	0.33	BW-1264
16 mm	1-11/32	19/64	1-3/16	13/32	8	0.37	BW-1265
17mm	1-1/2	5/16	1-17/64	27/64	8-3/4	0.46	BW-1266
18 mm	1-31/64	11/32	1-9/32	15/32	9	0.49	BW-1267
19 mm	1-39/64	11/32	1-21/64	15/32	9-3/4	0.55	BW-1268

ASME B107.100



12 PIECE METRIC REVERSIBLE RATCHETING WRENCH SET

Item #: BW-1450

• Weight (lbs): 4.19

Contents	Size (mm)	Overall Length (in)
BW-1458	8 mm	5-1/2
BW-1459	9 mm	5-7/8
BW-1460	10 mm	6-1/4
BW-1461	11 mm	6-1/2
BW-1462	12 mm	6-3/4
BW-1463	13 mm	7
BW-1464	14 mm	7-1/2
BW-1465	15 mm	7-1/2
BW-1466	16 mm	8-1/4
BW-1467	17 mm	8-3/4
BW-1468	18 mm	9-1/4
BW-1469	19 mm	9-3/4



8 PIECE METRIC REVERSIBLE RATCHETING WRENCH SET

Item #: BW-1408

• Weight (lbs): 2.44

Contents	Size (mm)	Overall Length (in)
BW-1458	8 mm	5-1/2
BW-1460	10 mm	6-1/4
BW-1462	12 mm	6-3/4
BW-1463	13 mm	7
BW-1464	14 mm	7-1/2
BW-1465	15 mm	7-1/2
BW-1467	17 mm	8-3/4
BW-1468	18 mm	9-1/4



8 PIECE REVERSIBLE RATCHETING WRENCH SET

Item #: BW-1400

• Weight (lbs): 2.44

Contents	Size (in)	Overall Length (in)
BW-1410	5/16	5
BW-1412	3/8	6-1/4
BW-1414	7/16	5-1/2
BW-1416	1/2	5-3/4
BW-1418	9/16	6
BW-1420	5/8	6-1/4
BW-1422	11/16	6-1/2
BW-1424	3/4	6-3/4





7 PIECE REVERSE RATCHETING WRENCH SET

Item #: BW-1401

• Weight (lbs): 11.98



Contents	Size (in)	Overall Length (in)
BW-1426	13/16	11-3/8
BW-1428	7/8	11-1/2
BW-1430	15/16	12-3/4
BW-1432	1	12-1/2
BW-1434	1-1/16	14
BW-1436	1-1/8	15-3/4
BW-1438	1-1/4	16-1/2

7 PIECE REVERSE RATCHETING METRIC WRENCH SET

Item #: BW-1451

• Weight (lbs): 10.43



Contents	Size (mm)	Overall Length (in)
BW-1471	21 mm	11-1/2
BW-1472	22 mm	11-1/2
BW-1474	24 mm	12-1/2
BW-1477	27 mm	14
BW-1480	30 mm	15-3/4
BW-1482	32 mm	16-1/2
BW-1484	34 mm	18

REVERSE RATCHETING COMBINATION WRENCH



Size (in)	Open-End Width (in)	Open-End Thickness (in)	Box-End Width (in)	Box-End Thickness (in)	Overall Length (in)	Weight (lbs)	Item No.
7/32	19/32	11/64	35/64	1/4	5	0.13	BW-1403
1/4	33/64	5/32	1/2	1/4	5	0.13	BW-1405
5/16	21/32	11/64	11/16	1/4	5	0.13	BW-1410
3/8	51/64	13/64	51/64	19/64	6-1/4	0.15	BW-1412
7/16	57/64	7/32	7/8	5/16	5-1/2	0.16	BW-1414
1/2	1-1/16	1/4	63/64	11/32	5-3/4	0.17	BW-1416
9/16	1-5/32	1/4	1-3/32	23/64	6	0.19	BW-1418
5/8	1-5/16	9/32	1-13/64	25/64	6-1/4	0.20	BW-1420
11/16	1-25/64	9/32	1-1/4	13/32	6-1/2	0.22	BW-1422
3/4	1-9/16	21/64	1-11/32	7/16	6-3/4	0.26	BW-1424
13/16	1-11/16	21/64	1-1/2	15/32	11-3/8	0.70	BW-1426
7/8	1-13/16	23/64	1-19/32	33/64	11-1/2	0.83	BW-1428
15/16	2-3/64	25/64	1-27/32	37/64	12-3/4	0.95	BW-1430
1	2-3/64	3/8	1-13/16	9/16	12-1/2	1.15	BW-1432
1-1/16	2-7/32	13/32	1-63/64	39/64	14	1.43	BW-1434
1-1/8	2-27/64	7/16	2-17/64	43/64	15-3/4	1.68	BW-1436
1-1/4	2-19/32	15/32	2-27/64	11/16	16-1/2	2.22	BW-1438

ASME B107.100



REVERSE RATCHETING COMBINATION WRENCH - METRIC



Size (mm)	Open-End Width (in)	Open-End Thickness (in)	Box-End Width (in)	Box-End Thickness (in)	Overall Length (in)	Weight (lbs)	Item No.
8 mm	41/64	11/64	43/64	17/64	5-1/2	0.16	BW-1458
9 mm	47/64	3/16	23/32	17/64	5-7/8	0.18	BW-1459
10 mm	51/64	3/16	13/16	9/32	6-1/4	0.20	BW-1460
11 mm	7/8	13/64	7/8	5/16	6-1/2	0.22	BW-1461
12 mm	63/64	7/32	29/32	21/64	6-3/4	0.26	BW-1462
13 mm	1-1/16	15/64	31/32	11/32	7	0.30	BW-1463
14 mm	1-1/8	1/4	1-5/64	23/64	7-1/2	0.33	BW-1464
15 mm	1-13/64	17/64	1-1/8	3/8	7-1/2	0.43	BW-1465
16 mm	1-5/16	19/64	1-13/64	25/64	8-1/4	0.47	BW-1466
17 mm	1-25/64	19/64	1-1/4	15/32	8-3/4	0.49	BW-1467
18 mm	1-15/32	5/16	1-5/16	27/64	9-1/4	0.51	BW-1468
19 mm	1-37/64	21/64	1-11/32	7/16	9-3/4	0.55	BW-1469
21 mm	1-51/64	23/64	1-37/64	33/64	11-1/2	0.70	BW-1471
22 mm	1-51/64	11/32	1-37/64	33/64	11-1/2	0.83	BW-1472
24 mm	2-1/32	25/64	1-53/64	37/64	12-1/2	0.95	BW-1474
27 mm	2-7/32	7/16	2-1/16	5/8	14	1.43	BW-1477
30 mm	2-29/64	29/64	2-19/64	43/64	15-3/4	1.95	BW-1480
32 mm	2-19/32	31/64	2-13/32	11/16	16-1/2	2.22	BW-1482
34 mm	2-25/32	1/2	2-7/16	51/64	18	2.48	BW-1484

ASME B107.100

20 PIECE EXTENDED LENGTH RATCHETING WRENCH SET - INCH & METRIC

Item #: 97006

• Weight (lbs): 13.03

Contents	Size	Overall Length (in)
BW-1310	3/8	6-19/64
BW-1314	1/2	7-1/2
BW-1316	9/16	7-1/2
BW-1318	5/8	8-45/64
BW-1320	11/16	9-13/32
BW-1322	3/4	10
BW-1324	13/16	10
BW-1326	7/8	12-1/4
BW-1328	15/16	11-1/2
BW-1330	1	13
BW-1308M	8 mm	13-3/4
BW-1310M	10 mm	12-1/4
BW-1312M	12 mm	14-1/2
BW-1314M	14 mm	13-3/4
BW-1317M	17 mm	14-1/2
BW-1318M	18 mm	14-1/2
BW-1319M	19 mm	15-51/64
BW-1321M	21 mm	15-1/2
BW-1322M	22 mm	15-3/4
BW-1324M	24 mm	15-3/4



Blackhawk
BY PROTO

Blackhawk™ by Proto® not available in all countries.





EXTENDED LENGTH RATCHETING WRENCH - INCH

• 20% longer than standard pattern. 5 degree ratcheting gear. High polish double nickel chrome finish. Non-reversing flat ends flip to reverse.



Size (in)	Open-End Width (in)	Open-End Thickness (in)	Box-End Width (in)	Box-End Thickness (in)	Overall Length (in)	Weight (lbs)	Item No.
5/16	21/32	7/32	43/64	1/4	6-13/32	0.10	BW-1306
11/32	47/64	13/64	23/32	17/64	6-29/32	0.11	BW-1308
3/8	13/16	15/64	51/64	9/32	7-1/2	0.16	BW-1310
7/16	57/64	17/64	55/64	5/16	8-3/32	0.19	BW-1312
1/2	1-5/64	9/32	1	11/32	9-13/32	0.29	BW-1314
9/16	1-9/64	5/16	1-5/64	23/64	10	0.34	BW-1316
5/8	1-9/32	21/64	1-3/16	25/64	11-1/2	0.47	BW-1318
11/16	1-25/64	23/64	1-1/4	13/32	12-1/4	0.55	BW-1320
3/4	1-9/16	11/32	1-3/8	7/16	13-3/4	0.75	BW-1322
13/16	1-51/64	23/64	1-9/16	33/64	14-1/2	0.84	BW-1324
7/8	1-13/16	23/64	1-43/64	33/64	15-1/2	0.97	BW-1326
15/16	2-1/32	25/64	1-13/16	9/16	15-3/4	1.32	BW-1328
1	2-3/64	25/64	1-13/16	37/64	15-3/4	1.31	BW-1330

ASME B107.100

EXTENDED LENGTH RATCHETING WRENCH - METRIC

• 20% longer than standard pattern. 5 degree ratcheting gear. High polish double nickel chrome finish. Non-reversing flat ends flip to reverse.



Size (mm)	Open-End Width (in)	Open-End Thickness (in)	Box-End Width (in)	Box-End Thickness (in)	Overall Length (in)	Weight (lbs)	Item No.
8 mm	21/32	7/32	43/64	17/64	6-19/64	0.10	BW-1308M
9 mm	47/64	7/32	3/4	9/32	6-29/32	0.11	BW-1309M
10 mm	13/16	7/32	51/64	19/64	7-1/2	0.16	BW-1310M
11 mm	57/64	1/4	55/64	5/16	8-3/32	0.19	BW-1311M
12 mm	31/32	9/32	29/32	21/64	8-45/64	0.23	BW-1312M
13 mm	1-5/64	19/64	1	11/32	8-3/8	0.23	BW-1313M
14 mm	1-9/64	19/64	1-1/16	23/64	10	0.30	BW-1314M
15 mm	1-15/64	5/16	1-1/8	3/8	10-3/4	0.43	BW-1315M
16 mm	1-19/64	19/64	1-3/16	25/64	11-1/2	0.46	BW-1316M
17mm	1-25/64	21/64	1-17/64	13/32	12-1/4	0.56	BW-1317M
18 mm	1-15/32	23/64	1-5/16	27/64	13	0.65	BW-1318M
19 mm	1-9/16	11/32	1-3/8	7/16	13-3/4	0.74	BW-1319M
21 mm	1-51/64	23/64	1-9/16	33/64	14-1/2	0.99	BW-1321M
22 mm	1-51/64	23/64	1-9/16	33/64	14-1/2	0.95	BW-1322M
24 mm	2-1/32	25/64	1-13/16	37/64	15-51/64	1.35	BW-1324M

ASME B107.100



4 PIECE REVERSIBLE DOUBLE BOX WRENCH SET

Item #: BW-3330R

• Weight (lbs): 3.49



Contents	Size (in)	Overall Length (in)
BW-0516R	5/16 X 3/8	5
BW-0716R	7/16 X 1/2	6-1/2
BW-0916R	9/16 X 5/8	7-1/2
BW-1116R	11/16 X 3/4	9

6 PIECE METRIC REVERSIBLE DOUBLE BOX WRENCH SET

Item #: BW-3332R

• Weight (lbs): 4.02



Contents	Size (mm)	Overall Length (in)
BW-0809R	8 X 9 mm	5
BW-1011R	10 X 11 mm	5-7/8
BW-1213R	12 X 13 mm	6-5/8
BW-1415R	14 X 15 mm	7-1/2
BW-1618R	16 X 18 mm	8-1/4
BW-1719R	17 X 19 mm	9

REVERSIBLE DOUBLE BOX WRENCH



Size (in)	Box-End Width 1 (in)	Box-End Thickness 1 (in)	Box-End Width 2 (in)	Box-End Thickness 2 (in)	Overall Length (in)	Weight (lbs)	Item No.
5/16 X 3/8	39/64	1/4	25/32	9/32	5	0.12	BW-0516R
7/16 X 1/2	57/64	19/64	61/64	11/32	6-1/2	0.26	BW-0716R
9/16 X 5/8	1-3/64	23/64	1-11/64	25/64	7-1/2	0.33	BW-0916R
11/16 X 3/4	1-1/4	13/32	1-5/16	7/16	9	0.49	BW-1116R

ASME B107.100

REVERSIBLE DOUBLE BOX WRENCH - METRIC



Size (mm)	Box-End Width 1 (in)	Box-End Thickness 1 (in)	Box-End Width 2 (in)	Box-End Thickness 2 (in)	Overall Length (in)	Weight (lbs)	Item No.
8 X 9 mm	39/64	1/4	3/4	17/64	5	0.12	BW-0809R
10 X 11 mm	25/32	9/32	55/64	5/16	5-7/8	0.19	BW-1011R
12 X 13 mm	57/64	21/64	31/32	11/32	6-5/8	0.26	BW-1213R
14 X 15 mm	1-3/64	23/64	1-5/32	3/8	7-1/2	0.33	BW-1415R
16 X 18 mm	1-9/64	25/64	1-1/8	27/64	8-1/4	0.4	BW-1618R
17 X 19 mm	1-21/64	13/32	1-21/64	7/16	9	0.49	BW-1719R

ASME B107.100





WRENCHES

LOCKING FLEX-HEAD RATCHETING WRENCHES

8 PIECE LOCKING FLEX-HEAD RATCHETING WRENCH SET

Item #: BW-3251L

• Weight (lbs): 4.35



12 PIECE LOCKING FLEX-HEAD RATCHETING WRENCH SET - METRIC

Item #: BW-3250L

• Weight (lbs): 5.34



Contents	Size (in)	Overall Length (in)
BW-3209L	5/16	5
BW-3210L	3/8	5-3/8
BW-3212L	7/16	5-9/16
BW-3214L	1/2	6
BW-3216L	9/16	6-1/4
BW-3218L	5/8	7
BW-3220L	11/16	7-1/2
BW-3222L	3/4	8-1/2

Contents	Size (mm)	Overall Length (in)
BW-3258L	8 mm	5
BW-3259L	9 mm	5-13/64
BW-3260L	10 mm	5-3/8
BW-3260AL	11 mm	5-1/2
BW-3261L	12 mm	5-25/32
BW-3262L	13 mm	6
BW-3263L	14 mm	6-1/2
BW-3264L	15 mm	6-3/4
BW-3265L	16 mm	7
BW-3266L	17 mm	7-1/2
BW-3267L	18 mm	8
BW-3268L	19 mm	8-1/2

LOCKING FLEX-HEAD RATCHETING WRENCH



Size (in)	Open-End Width (in)	Open-End Thickness (in)	Box-End Width (in)	Box-End Thickness (in)	Overall Length (in)	Weight (lbs)	Item No.
5/16	19/32	11/64	41/64	17/64	5	0.16	BW-3209L
3/8	13/16	13/64	7/8	9/32	5-3/8	0.17	BW-3210L
7/16	57/64	13/64	27/32	5/16	5-9/16	0.19	BW-3212L
1/2	1-1/16	1-15/64	1-3/32	11/32	6	0.2	BW-3214L
9/16	1-9/64	1/4	1-1/16	23/64	6-1/4	0.29	BW-3216L
5/8	1-5/16	19/64	1-3/16	25/64	7	0.33	BW-3218L
11/16	1-25/64	19/64	13/32	1-7/32	7-1/2	0.46	BW-3220L
3/4	1-35/64	11/32	1-21/64	7/16	8-1/2	0.57	BW-3222L

ASME B107.100



LOCKING FLEX-HEAD RATCHETING WRENCH - METRIC



Size (mm)	Open-End Width (in)	Open-End Thickness (in)	Box-End Width (in)	Box-End Thickness (in)	Overall Length (in)	Weight (lbs)	Item No.
8 mm	41/64	5/32	21/32	17/64	5	0.13	BW-3258L
9 mm	47/64	3/32	47/64	9/32	5-13/64	0.16	BW-3259L
10 mm	13/16	13/64	51/64	9/32	5-3/8	0.16	BW-3260L
11 mm	57/64	13/64	55/64	5/16	5-1/2	0.17	BW-3260AL
12 mm	63/64	15/64	57/64	21/64	5-25/32	0.19	BW-3261L
13 mm	1-1/16	15/64	1	11/32	6	0.19	BW-3262L
14 mm	1-9/64	17/64	1-3/64	23/64	6-1/2	0.21	BW-3263L
15 mm	1-3/16	1/4	1-3/32	3/8	6-3/4	0.25	BW-3264L
16 mm	1-21/64	5/16	1-11/64	25/64	7	0.3	BW-3265L
17 mm	1-25/64	19/64	1-1/4	13/32	7-1/2	0.33	BW-3266L
18 mm	1-15/32	21/64	1-9/32	27/64	8	0.36	BW-3267L
19 mm	1-35/64	11/32	1-21/64	7/16	8-1/2	0.45	BW-3268L

ASME B107.100

9 PIECE STUBBY REVERSIBLE RATCHETING WRENCH SET

Item #: BW-2250R

• Weight (lbs): 2.2



Contents	Size (in)	Overall Length (in)
BW-2206R	1/4	3-1/8
BW-2208R	5/16	3-1/2
BW-2210R	3/8	3-3/4
BW-2212R	7/16	4
BW-2214R	1/2	4-1/4
BW-2216R	9/16	4-1/2
BW-2218R	5/8	4-7/8
BW-2220R	11/16	5
BW-2222R	3/4	5-1/2

13 PIECE STUBBY REVERSIBLE RATCHETING WRENCH SET - METRIC

Item #: BW-2251R

• Weight (lbs): 3.43



Contents	Size (mm)	Overall Length (in)
BW-2276R	6 mm	3-1/2
BW-2278R	8 mm	3-1/2
BW-2279R	9 mm	3-3/4
BW-2260R	10 mm	3-3/4
BW-2262R	12 mm	4-1/4
BW-2261R	11 mm	4
BW-2263R	13 mm	4-1/4
BW-2264R	14 mm	4-1/2
BW-2265R	15 mm	4-11/16
BW-2266R	16 mm	4-7/8
BW-2267R	17 mm	5
BW-2268R	18 mm	5-5/32
BW-2269R	19 mm	5-1/2

Blackhawk
BY PROTO

Blackhawk™ by Proto® not available in all countries.

WRENCHES

RATCHETING WRENCHES





STUBBY REVERSIBLE RATCHETING WRENCH



Size (in)	Open-End Width (in)	Open-End Thickness (in)	Box-End Width (in)	Box-End Thickness (in)	Overall Length (in)	Weight (lbs)	Item No.
1/4	37/64	9/64	9/16	1/4	3-1/8	0.06	BW-2206R
5/16	41/64	5/32	21/32	1/4	3-1/2	0.08	BW-2208R
3/8	13/16	11/64	25/32	9/32	3-3/4	0.11	BW-2210R
7/16	29/32	3/16	55/64	19/64	4	0.12	BW-2212R
1/2	1-1/16	7/32	63/64	11/32	4-1/4	0.16	BW-2214R
9/16	1-9/64	15/64	1-1/32	23/64	4-1/2	0.18	BW-2216R
5/8	1-5/16	9/32	1-11/64	25/64	4-7/8	0.24	BW-2218R
11/16	1-13/32	17/64	1-15/64	13/32	5	0.27	BW-2220R
3/4	1-9/16	5/16	1-5/16	7/16	5-1/2	0.36	BW-2222R

ASME B107.100

STUBBY REVERSIBLE RATCHETING WRENCH - METRIC



Size (mm)	Open-End Width (in)	Open-End Thickness (in)	Box-End Width (in)	Box-End Thickness (in)	Overall Length (in)	Weight (lbs)	Item No.
6 mm	37/64	9/64	9/16	1/4	3-1/2	0.06	BW-2276R
8 mm	41/64	5/32	21/32	17/64	3-1/2	0.08	BW-2278R
9 mm	23/32	11/64	47/64	17/64	3-3/4	0.09	BW-2279R
10 mm	13/16	3/16	51/64	9/32	3-3/4	0.10	BW-2260R
11 mm	29/32	13/64	55/64	19/64	4	0.14	BW-2261R
12 mm	31/32	7/32	29/32	21/64	4-1/4	0.15	BW-2262R
13 mm	1-1/16	7/32	63/64	11/32	4-1/4	0.18	BW-2263R
14 mm	1-9/64	15/64	1-1/32	23/64	4-1/2	0.21	BW-2264R
15 mm	1-7/32	1/4	1-3/32	3/8	4-11/16	0.24	BW-2265R
16 mm	1-5/16	17/64	1-5/32	25/64	4-7/8	0.33	BW-2266R
17 mm	1-13/32	15/64	1-1/4	13/32	5	0.38	BW-2267R
18 mm	1-7/16	5/16	1-1/4	7/16	5-5/32	0.41	BW-2268R
19 mm	1-9/16	5/16	1-5/16	7/16	5-1/2	0.47	BW-2269R

ASME B107.100



5 PIECE 4BOX™ RATCHETING WRENCH SET - INCH & METRIC

Item #: 97009

• Weight (lbs): 1.79



Contents	Size	Overall Length (in)
BW-1340M	8, 9, 10, 11 mm	5-7/8
BW-1341	5/16, 3/8, 7/16, 1/2	6
BW-1342M	12, 13, 14, 15 mm	7-1/2
BW-1343	9/16, 5/8, 11/16, 3/4	9-1/8
BW-1344M	16, 17, 18, 19 mm	9-1/8

3 PIECE 4BOX™ RATCHETING WRENCH SET - METRIC

Item #: 97007

• Weight (lbs): 1.04



Contents	Size (mm)	Overall Length (in)
BW-1340M	8, 9, 10, 11 mm	5-7/8
BW-1342M	12, 13, 14, 15 mm	7-1/2
BW-1344M	16, 17, 18, 19 mm	9-1/8

2 PIECE 4BOX™ RATCHETING WRENCH SET - INCH

Item #: 97008

• Weight (lbs): 0.75



Contents	Size (in)	Overall Length (in)
BW-1341	5/16, 3/8, 7/16, 1/2	6
BW-1343	9/16, 5/8, 11/16, 3/4	9-1/8

WRENCHES

4BOX™ RATCHETING WRENCH SETS





WRENCHES

4BOX™ RATCHETING WRENCHES

4BOX™ RATCHETING WRENCH - INCH

- Ideal for situations where weight is a concern. Four sizes per wrench. High polish double nickel chrome finish. Reverse ratcheting 5-degree mechanism.



Size (in)	Box-End Width 1 (in)	Box-End Thickness 1 (in)	Box-End Width 2(in)	Box-End Thickness 2 (in)	Overall Length (in)	Weight (lbs)	Item No.
5/16, 3/8, 7/16, 1/2	13/16	35/64	63/64	21/32	6	0.21	BW-1341
9/16, 5/8, 11/16, 3/4	1-15/64	49/64	1-21/64	55/64	9-1/8	0.54	BW-1343

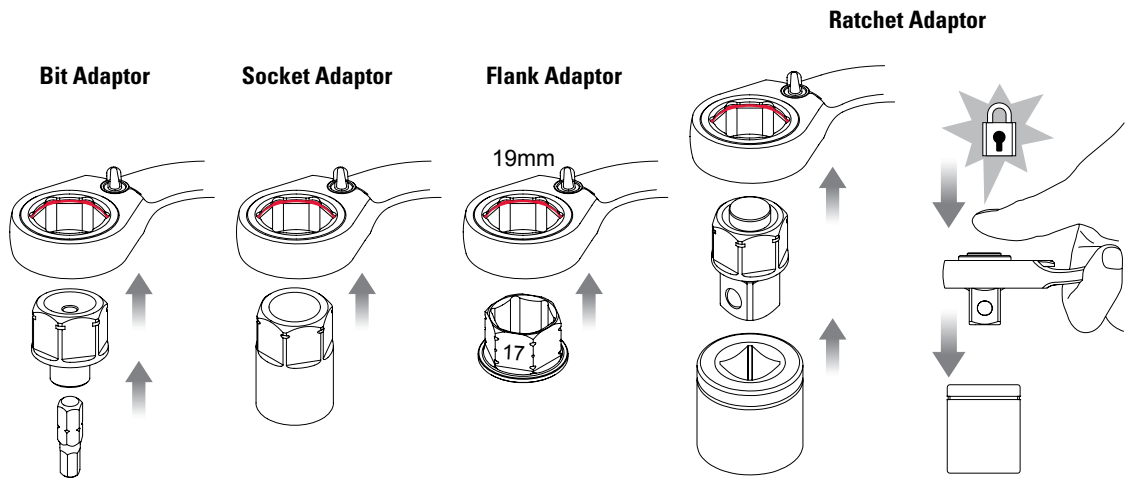
4BOX™ RATCHETING WRENCH - METRIC

- Ideal for situations where weight is a concern. Four sizes per wrench. High polish double nickel chrome finish. Reverse ratcheting 5-degree mechanism.



Size (mm)	Box-End Width 1 (in)	Box-End Thickness 1 (in)	Box-End Width 2 (in)	Box-End Thickness 2 (in)	Overall Length (in)	Weight (lbs)	Item No.
8, 9, 10, 11 mm	51/64	35/64	55/64	37/64	5-7/8	0.16	BW-1340M
12, 13, 14, 15 mm	1-3/64	43/64	1-9/64	45/64	7-1/2	0.34	BW-1342M
16, 17, 18, 19 mm	1-21/64	1-51/64	1-5/16	55/64	9-1/8	0.54	BW-1344M





OBSTACLE RATCHETING WRENCH SET - SAE
Item #: BWO-1220

- 13 Piece Fractional. Flank adaptors insert into box to change size. Reverse ratcheting mechanism. Socket & bit adaptors included.
- Weight (lbs): 2.18

OBSTACLE RATCHETING WRENCH SET - METRIC
Item #: BWO-1220M

- 14 Piece Metric. Flank adaptors insert into box to change size. Reverse ratcheting mechanism. Socket & bit adaptors included.
- Weight (lbs): 2.18



Contents	Size (in)
S Type Wrench	14mm x 19mm/3/4"
Flank Adapters	3/8, 7/16, 1/2, 9/16, 5/8, 11/16" (6 Point)
Bit Adapters	10mm and 1/4" (6 Point); 7/8" (Spline)
Ratchet Bit Adapters	1/4, 3/8, 1/2" Drive

Contents	Size (mm)
S Type Wrench	14mm x 19mm/3/4"
Flank Adapters	10, 11, 12, 13, 15, 16, 17mm (6 Point)
Bit Adapters	10mm and 1/4" (6 Point); 22mm (Spline)
Ratchet Bit Adapters	1/4, 3/8, 1/2" Drive





18 PIECE FULL POLISH STANDARD & METRIC COMBINATION WRENCH SET

Item #: BW-9718NB

• Weight (lbs): 11.00



Contents	Size	Overall Length (in)
BW-1156FP	1/4	4-1/16
BW-1159FP	5/16	4-7/16
BW-1160FP	3/8	5-1/4
BW-1161FP	7/16	5-7/8
BW-1162FP	1/2	8-1/2
BW-1163FP	9/16	7-1/4
BW-1164FP	5/8	8
BW-1165FP	11/16	8-13/16
BW-1166FP	3/4	8-13/16
BW-1110MFP	10 mm	5-1/4
BW-1111MFP	11 mm	5-7/8
BW-1112MFP	12 mm	6-3/16
BW-1113MFP	13 mm	6-1/2
BW-1114MFP	14 mm	7-1/4
BW-1115MFP	15 mm	7-5/8
BW-1116MFP	16 mm	8
BW-1117MFP	17 mm	8-13/16
BW-1118MFP	18 mm	8-13/16

14 PIECE FULL POLISH COMBINATION WRENCH SET

Item #: BW-14PT

• Weight (lbs): 9.9



Contents	Size (in)	Overall Length (in)
BW-1167AFP	13/16	11-11/16
BW-1167FP	7/8	11-11/16
BW-1168FP	15/16	12-11/16
BW-1170FP	1	13-9/16
BW-1172FP	1-1/8	15-5/8
BW-1173FP	1-1/4	16-15/16
BW-1159FP	5/16	4-7/16
BW-1160FP	3/8	5-1/4
BW-1161FP	7/16	5-7/8
BW-1162FP	1/2	8-1/2
BW-1163FP	9/16	7-1/4
BW-1164FP	5/8	8
BW-1165FP	11/16	8-13/16
BW-1166FP	3/4	8-13/16





WRENCHES

COMBINATION WRENCH SETS

14 PIECE FULL POLISH METRIC COMBINATION WRENCH SET

Item #: BW-14MPT

• Weight (lbs): 9.0



Contents	Size (mm)	Overall Length (in)
BW-1107MFP	7 mm	4-5/16
BW-1108MFP	8 mm	4-7/16
BW-1109MFP	9 mm	4-7/8
BW-1119MFP	19 mm	9-3/4
BW-1120MFP	20 mm	9-3/4
BW-1110MFP	10 mm	5-1/4
BW-1111MFP	11 mm	5-7/8
BW-1112MFP	12 mm	6-3/16
BW-1113MFP	13 mm	6-1/2
BW-1114MFP	14 mm	7-1/4
BW-1115MFP	15 mm	7-5/8
BW-1116MFP	16 mm	8
BW-1117MFP	17 mm	8-13/16
BW-1118MFP	18 mm	8-13/16

11 PIECE FULL POLISH COMBINATION WRENCH SET

Item #: BW-11PT

• Weight (lbs): 8.7



Contents	Size (in)	Overall Length (in)
BW-1160FP	3/8	5-1/4
BW-1161FP	7/16	5-7/8
BW-1162FP	1/2	8-1/2
BW-1163FP	9/16	7-1/4
BW-1164FP	5/8	8
BW-1165FP	11/16	8-13/16
BW-1166FP	3/4	8-13/16
BW-1167AFP	13/16	11-11/16
BW-1167FP	7/8	11-11/16
BW-1168FP	15/16	12-11/16
BW-1170FP	1	13-9/16

11 PIECE METRIC FULL POLISH COMBINATION WRENCH SET

Item #: BW-11P

• Weight (lbs): 8.7



Contents	Size (mm)	Overall Length (in)
BW-1107MFP	7 mm	4-5/16
BW-1109MFP	9 mm	4-7/8
BW-1110MFP	10 mm	5-1/4
BW-1111MFP	11 mm	5-7/8
BW-1112MFP	12 mm	6-3/16
BW-1113MFP	13 mm	6-1/2
BW-1114MFP	14 mm	7-1/4
BW-1115MFP	15 mm	7-5/8
BW-1117MFP	17 mm	8-13/16
BW-1118MFP	18 mm	8-13/16
BW-1119MFP	19 mm	9-3/4

9 PIECE FULL POLISH COMBINATION WRENCH SET

Item #: 9609PNB

• Weight (lbs): 6.8



Contents	Size (in)	Overall Length (in)
BW-1156FP	1/4	4-1/16
BW-1159FP	5/16	4-7/16
BW-1160FP	3/8	5-1/4
BW-1161FP	7/16	5-7/8
BW-1162FP	1/2	8-1/2
BW-1163FP	9/16	7-1/4
BW-1164FP	5/8	8
BW-1165FP	11/16	8-13/16
BW-1166FP	3/4	8-13/16





WRENCHES

COMBINATION WRENCHES

9 PIECE METRIC FULL POLISH COMBINATION WRENCH SET

Item #: 9609MNB

• Weight (lbs): 6.8



Contents	Size (mm)	Overall Length (in)
BW-1110MFP	10 mm	5-1/4
BW-1111MFP	11 mm	5-7/8
BW-1112MFP	12 mm	6-3/16
BW-1113MFP	13 mm	6-1/2
BW-1114MFP	14 mm	7-1/4
BW-1115MFP	15 mm	7-5/8
BW-1116MFP	16 mm	8
BW-1117MFP	17 mm	8-13/16
BW-1118MFP	18 mm	8-13/16

FULL POLISH COMBINATION WRENCH - INCH



Size (in)	Open-End Width (in)	Open-End Thickness (in)	Box-End Width (in)	Box-End Thickness (in)	Overall Length (in)	Weight (lbs)	Item No.
1/4	1/2	1/4	5/8	3/16	4-1/16	0.04	BW-1156FP
5/16	9/16	5/16	13/16	3/16	4-7/16	0.06	BW-1159FP
3/8	11/16	5/16	7/8	3/16	5-1/4	0.11	BW-1160FP
7/16	3/4	5/16	1	1/4	5-7/8	0.13	BW-1161FP
1/2	13/16	3/8	1-1/8	1/4	8-1/2	0.2	BW-1162FP
9/16	7/8	3/8	1-1/4	5/16	7-1/4	0.2	BW-1163FP
5/8	3	7/16	1-3/8	5/16	8	0.3	BW-1164FP
11/16	1-1/16	7/16	3-9/16	5/16	8-13/16	0.3	BW-1165FP
3/4	1-3/16	1/2	1-5/8	3/8	8-13/16	0.6	BW-1166FP
13/16	1-3/8	9/16	1-7/8	3/8	11-11/16	0.6	BW-1167AFP
7/8	1-3/8	9/16	1-7/8	3/8	11-11/16	0.65	BW-1167FP
15/16	7-7/16	9/16	2	7/16	12-11/16	0.7	BW-1168FP
1	1-1/2	5/8	2-1/8	7/16	13-9/16	0.8	BW-1170FP
1-1/16	1-5/8	5/8	2-1/4	1/2	14-13/16	0.9	BW-1171FP
1-1/8	1-3/4	11/16	2-5/16	1/2	15-5/8	1.1	BW-1172FP
1-1/4	1-7/8	3/4	2-5/8	9/16	16-15/16	1.4	BW-1173FP
1-5/16	1-7/8	3/4	2-11/16	9/16	17-13/16	2.1	BW-1174FP
1-3/8	2	3/4	2-13/16	9/16	18-11/16	2.7	BW-1175FP
1-7/16	2-1/16	13/16	2-15/16	9/16	19-9/16	2.5	BW-1176FP
1-1/2	2-3/16	13/16	3-1/16	5/8	20-7/16	3.4	BW-1177FP

ASME B107.100



FULL POLISH COMBINATION WRENCH - METRIC

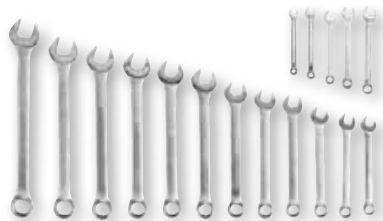


Size (mm)	Open-End Width (in)	Open-End Thickness (in)	Box-End Width (in)	Box-End Thickness (in)	Overall Length (in)	Weight (lbs)	Item No.
6 mm	1/2	1/4	5/8	3/16	4-1/16	0.04	BW-1106MFP
7 mm	1/2	1/4	11/16	3/16	4-5/16	0.05	BW-1107MFP
8 mm	9/16	5/16	13/16	3/16	4-7/16	0.07	BW-1108MFP
9 mm	11/16	5/16	7/8	3/16	4-7/8	0.09	BW-1109MFP
10 mm	11/16	5/16	7/8	3/16	5-1/4	0.1	BW-1110MFP
11 mm	3/4	5/16	63/64	1/4	5-7/8	0.14	BW-1111MFP
12 mm	3/4	3/8	1-1/16	1/4	6-3/16	0.14	BW-1112MFP
13 mm	13/16	3/8	1-1/8	1/4	6-1/2	0.2	BW-1113MFP
14 mm	1-1/4	3/8	1-1/4	5/16	7-1/4	0.25	BW-1114MFP
15 mm	15/16	3/8	1-5/16	5/16	7-5/8	0.29	BW-1115MFP
16 mm	1	7/16	1-3/8	5/16	8	0.37	BW-1116MFP
17 mm	1-1/16	7/16	1-9/16	5/16	8-13/16	0.37	BW-1117MFP
18 mm	1-1/16	7/16	1-9/16	5/16	8-13/16	0.45	BW-1118MFP
19 mm	1-3/16	1/2	1-5/8	3/8	9-3/4	0.47	BW-1119MFP
20 mm	1-3/16	1/2	1-5/8	3/8	9-3/4	0.53	BW-1120MFP
21 mm	1-1/4	1/2	1-3/4	3/8	10-3/4	0.65	BW-1121MFP
22 mm	1-3/8	9/16	1-7/8	3/8	11-11/16	0.75	BW-1122MFP
24 mm	1-7/16	9/16	2	7/16	12-11/16	0.92	BW-1124MFP
25 mm	1-1/2	9/16	2-1/8	7/16	13-9/16	1.05	BW-1125MFP
26 mm	1-1/2	9/16	2-1/8	7/16	13-9/16	1	BW-1126MFP
27 mm	1-5/8	5/8	2-1/4	1/2	14-13/16	1.35	BW-1127MFP
28 mm	3/4	11/16	2-5/16	1/2	15-5/8	1.53	BW-1128MFP
30 mm	3/4	11/16	2-5/16	1/2	15-5/8	1.53	BW-1130MFP
32 mm	1-7/8	3/4	2-5/8	9/16	15-15/16	2.08	BW-1132MFP

17 PIECE SATIN FINISH COMBINATION WRENCH SET

Item #: MF-017

• Weight (lbs): 10.5



Contents	Size (in)	Overall Length (in)
BW-1156	1/4	4-1/16
BW-1159	5/16	4-7/16
BW-1160	3/8	5-1/4
BW-1161	7/16	5-7/8
BW-1162	1/2	6-1/2
BW-1163	9/16	7-1/4
BW-1164	5/8	8
BW-1165	11/16	8-13/16
BW-1166	3/4	8-13/16
BW-1167A	13/16	11-11/16
BW-1167	7/8	11-11/16
BW-1168	15/16	12-11/16
BW-1170	1	13-9/16
BW-1171	1-1/16	14-13/16
BW-1172	1-1/8	15-5/8
BW-1173	1-1/4	16-15/16
BW-1174	1-5/16	17-13/16

Blackhawk
BY PROTO

Blackhawk™ by Proto® not available in all countries.

WRENCHES

COMBINATION WRENCHES

100





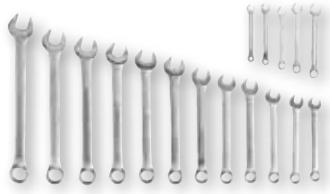
WRENCHES

COMBINATION WRENCH SETS

17 PIECE METRIC SATIN FINISH COMBINATION WRENCH SET

Item #: MF-017M

• Weight (lbs): 10.5



Contents	Size (mm)	Overall Length (in)
BW-1106M	6 mm	4-1/16
BW-1107M	7 mm	4-5/16
BW-1108M	8 mm	4-7/16
BW-1109M	9 mm	4-7/8
BW-1110M	10 mm	5-1/4
BW-1111M	11 mm	5-7/8
BW-1112M	12 mm	6-3/16
BW-1113M	13 mm	6-1/2
BW-1114M	14 mm	7-1/4
BW-1115M	15 mm	7-5/8
BW-1116M	16 mm	8
BW-1117M	17 mm	8-13/16
BW-1118M	18 mm	8-13/16
BW-1119M	19 mm	9-3/4
BW-1120M	20 mm	9-3/4
BW-1121M	21 mm	10-3/4
BW-1122M	22 mm	11-11/16

14 PIECE SATIN FINISH COMBINATION WRENCH SET

Item #: MF-014

• Weight (lbs): 9.0



Contents	Size (in)	Overall Length (in)
BW-1159	5/16	4-7/16
BW-1160	3/8	5-1/4
BW-1161	7/16	5-7/8
BW-1162	1/2	6-1/2
BW-1163	9/16	7-1/4
BW-1164	5/8	8
BW-1165	11/16	8-13/16
BW-1166	3/4	8-13/16
BW-1167	7/8	11-11/16
BW-1167A	13/16	11-11/16
BW-1168	15/16	12-11/16
BW-1170	1	13-9/16
BW-1172	1-1/8	15-5/8
BW-1173	1-1/4	16-15/16

11 PIECE SATIN FINISH COMBINATION WRENCH SET

Item #: MF-011

• Weight (lbs): 4.0



Contents	Size (in)	Overall Length (in)
BW-1156	1/4	4-1/16
BW-1160	3/8	5-1/4
BW-1161	7/16	5-7/8
BW-1162	1/2	6-1/2
BW-1163	9/16	7-1/4
BW-1164	5/8	8
BW-1165	11/16	8-13/16
BW-1166	3/4	8-13/16
BW-1167	7/8	11-11/16
BW-1167A	13/16	11-11/16
BW-1168	15/16	12-11/16

11 PIECE METRIC SATIN FINISH COMBINATION WRENCH SET

Item #: MF-011M

• Weight (lbs): 2.4



Contents	Size (mm)	Overall Length (in)
BW-1106M	6 mm	4-1/16
BW-1107M	7 mm	4-5/16
BW-1108M	8 mm	4-7/16
BW-1109M	9 mm	4-7/8
BW-1110M	10 mm	5-1/4
BW-1111M	11 mm	5-7/8
BW-1112M	12 mm	6-3/16
BW-1113M	13 mm	6-1/2
BW-1114M	14 mm	7-1/4
BW-1115M	15 mm	7-5/8
BW-1116M	16 mm	8





WRENCHES

COMBINATION WRENCH SETS

8 PIECE METRIC SATIN FINISH COMBINATION WRENCH SET

Item #: MF-008M

• Weight (lbs): 1.9



Contents	Size (mm)	Overall Length (in)
BW-1108M	8 mm	4-7/16
BW-1109M	9 mm	4-7/8
BW-1110M	10 mm	5-1/4
BW-1111M	11 mm	5-7/8
BW-1112M	12 mm	6-3/16
BW-1114M	14 mm	7-1/4
BW-1117M	17 mm	8-13/16
BW-1119M	19 mm	9-3/4

8 PIECE SATIN FINISH COMBINATION WRENCH SET

Item #: MF-008

• Weight (lbs): 2.0



Contents	Size (in)	Overall Length (in)
BW-1156	1/4	4-1/16
BW-1159	5/16	4-7/16
BW-1160	3/8	5-1/4
BW-1161	7/16	5-7/8
BW-1162	1/2	6-1/2
BW-1163	9/16	7-1/4
BW-1164	5/8	8
BW-1166	3/4	8-13/16

6 PIECE SATIN FINISH COMBINATION WRENCH SET

Item #: MF-006

• Weight (lbs): 1.7



Contents	Size (in)	Overall Length (in)
BW-1160	3/8	5-1/4
BW-1161	7/16	5-7/8
BW-1162	1/2	6-1/2
BW-1163	9/16	7-1/4
BW-1164	5/8	8
BW-1166	3/4	8-13/16

190



Blackhawk
BY PROTO

Blackhawk™ by Proto® not available in all countries.

SATIN FINISH COMBINATION WRENCH - INCH



WRENCHES

COMBINATION WRENCHES

Size (in)	Open-End Width (in)	Open-End Thickness (in)	Box-End Width (in)	Box-End Thickness (in)	Overall Length (in)	Weight (lbs)	Item No.
1/4	1/2	1/4	5/8	3/16	4-1/16	0.04	BW-1156
5/16	9/16	5/16	13/16	3/16	4-7/16	0.06	BW-1159
3/8	11/16	5/16	7/8	3/16	5-1/4	0.11	BW-1160
7/16	3/4	5/16	1	1/4	5-7/8	0.13	BW-1161
1/2	13/16	3/8	1-1/8	1/4	6-1/2	0.18	BW-1162
9/16	7/8	3/8	1-1/4	5/16	7-1/4	0.25	BW-1163
5/8	1	7/16	1-3/8	5/16	8	0.3	BW-1164
11/16	1-1/16	7/16	1-9/16	5/16	8-13/16	0.39	BW-1165
3/4	1-3/16	1/2	1-5/8	3/8	8-13/16	0.47	BW-1166
13/16	1-3/8	9/16	1-7/8	3/8	11-11/16	0.66	BW-1167A
7/8	1-3/8	9/16	1-7/8	3/8	11-11/16	0.78	BW-1167
15/16	7-7/16	9/16	2	7/16	12-11/16	0.94	BW-1168
1	1-1/2	5/8	2-1/8	7/16	13-9/16	1.02	BW-1170
1-1/16	1-5/8	5/8	2-1/4	1/2	14-13/16	1.29	BW-1171
1-1/8	1-3/4	11/16	2-5/16	1/2	15-5/8	1.57	BW-1172
1-1/4	1-7/8	3/4	2-5/8	9/16	16-15/16	1.91	BW-1173
1-5/16	1-7/8	3/4	2-45/64	9/16	17-13/16	2.61	BW-1174
1-3/8	2	3/4	2-13/16	9/16	18-11/16	2.63	BW-1175
1-7/16	2-1/16	13/16	2-15/16	9/16	19-9/16	3.45	BW-1176
1-1/2	2-3/16	13/16	3-1/16	5/8	20-7/16	3.43	BW-1177

ASME B107.100



SATIN FINISH COMBINATION WRENCH - METRIC



Size (mm)	Open-End Width (in)	Open-End Thickness (in)	Box-End Width (in)	Box-End Thickness (in)	Overall Length (in)	Weight (lbs)	Item No.
6 mm	1/2	1/4	5/8	3/16	4-1/16	0.04	BW-1106M
7 mm	1/2	1/4	11/16	3/16	4-5/16	0.05	BW-1107M
8 mm	9/16	5/16	13/16	3/16	4-7/16	0.07	BW-1108M
9 mm	11/16	5/16	7/8	3/16	4-7/8	0.09	BW-1109M
10 mm	11/16	5/16	7/8	3/16	5-1/4	0.1	BW-1110M
11 mm	3/4	5/16	63/64	1/4	5-7/8	0.14	BW-1111M
12 mm	3/4	3/8	1-1/16	1/4	6-3/16	0.14	BW-1112M
13 mm	13/16	3/8	1-1/8	1/4	6-1/2	0.2	BW-1113M
14 mm	1-1/4	3/8	1-1/4	5/16	7-1/4	0.25	BW-1114M
15 mm	15/16	3/8	1-5/16	5/16	7-5/8	0.29	BW-1115M
16 mm	1	7/16	1-3/8	5/16	8	0.37	BW-1116M
17 mm	1-1/16	7/16	1-9/16	5/16	8-13/16	0.37	BW-1117M
18 mm	1-1/16	7/16	1-9/16	5/16	8-13/16	0.45	BW-1118M
19 mm	1-3/16	1/2	1-5/8	3/8	9-3/4	0.47	BW-1119M
20 mm	1-3/16	1/2	1-5/8	3/8	9-3/4	0.53	BW-1120M
21 mm	1-1/4	1/2	1-3/4	3/8	10-3/4	0.65	BW-1121M
22 mm	1-3/8	9/16	1-7/8	3/8	11-11/16	0.75	BW-1122M
24 mm	1-7/16	9/16	2	7/16	12-11/16	0.92	BW-1124M
25 mm	1-1/2	9/16	2-1/8	7/16	13-9/16	1.05	BW-1125M
26 mm	1-1/2	9/16	2-1/8	7/16	13-9/16	1	BW-1126M
27 mm	1-5/8	5/8	2-1/4	1/2	14-13/16	1.35	BW-1127M
28 mm	3/4	11/16	2-5/16	1/2	15-5/8	1.53	BW-1128M
30 mm	3/4	11/16	2-5/16	1/2	15-5/8	1.53	BW-1130M
32 mm	1-7/8	3/4	2-5/8	9/16	15-15/16	2.08	BW-1132M

WRENCHES

COMBINATION WRENCHES





WRENCHES

COMBINATION WRENCH SETS

14 PIECE BLACK FINISH COMBINATION WRENCH SET

Item #: **BL-014**

• Weight (lbs): 11.0



Contents	Size (in)	Overall Length (in)
BW-1160B	3/8	5-1/4
BW-1161B	7/16	5-7/8
BW-1162B	1/2	7-1/2
BW-1163B	9/16	7-1/4
BW-1164B	5/8	8
BW-1165B	11/16	8-13/16
BW-1166B	3/4	8-13/16
BW-1167AB	13/16	11-11/16
BW-1167B	7/8	11-11/16
BW-1168B	15/16	12-11/16
BW-1170B	1	13-9/16
BW-1171B	1-1/16	14-13/16
BW-1172B	1-1/8	15-5/8
BW-1173B	1-1/4	16-15/16

14 PIECE METRIC BLACK FINISH COMBINATION WRENCH SET

Item #: **BL-014M**

• Weight (lbs): 11.0



Contents	Size (mm)	Overall Length (in)
BW-1107MB	7 mm	4-5/16
BW-1108MB	8 mm	4-7/16
BW-1109MB	9 mm	4-7/8
BW-1110MB	10 mm	5-1/4
BW-1111MB	11 mm	5-7/8
BW-1112MB	12 mm	6-3/16
BW-1113MB	13 mm	6-1/2
BW-1114MB	14 mm	7-1/4
BW-1115MB	15 mm	7-5/8
BW-1116MB	16 mm	8
BW-1117MB	17 mm	8-13/16
BW-1118MB	18 mm	8-13/16
BW-1119MB	19 mm	9-3/4
BW-1120MB	20 mm	9-3/4

9 PIECE BLACK FINISH COMBINATION WRENCH SET

Item #: **BL-009**

• Weight (lbs): 1.9



Contents	Size (in)	Overall Length (in)
BW-1156B	1/4	4-1/16
BW-1159B	5/16	4-7/16
BW-1160B	3/8	5-1/4
BW-1161B	7/16	5-7/8
BW-1162B	1/2	7-1/2
BW-1163B	9/16	7-1/4
BW-1164B	5/8	8
BW-1165B	11/16	8-13/16
BW-1166B	3/4	8-13/16

9 PIECE METRIC BLACK FINISH COMBINATION WRENCH SET

Item #: **BL-009M**

• Weight (lbs): 1.9



Contents	Size (mm)	Overall Length (in)
BW-1110MB	10 mm	5-1/4
BW-1111MB	11 mm	5-7/8
BW-1112MB	12 mm	6-3/16
BW-1113MB	13 mm	6-1/2
BW-1114MB	14 mm	7-1/4
BW-1115MB	15 mm	7-5/8
BW-1116MB	16 mm	8
BW-1117MB	17 mm	8-13/16
BW-1118MB	18 mm	8-13/16



6 PIECE BLACK FINISH COMBINATION WRENCH SET

Item #: **BL-006**

• Weight (lbs): 1.0



Contents	Size (in)	Overall Length (in)
BW-1160B	3/8	5-1/4
BW-1161B	7/16	5-7/8
BW-1162B	1/2	7-1/2
BW-1163B	9/16	7-1/4
BW-1164B	5/8	8
BW-1166B	3/4	8-13/16

6 PIECE METRIC BLACK FINISH COMBINATION WRENCH SET

Item #: **BL-006M**

• Weight (lbs): 1.0



Contents	Size (mm)	Overall Length (in)
BW-1110MB	10 mm	5-1/4
BW-1111MB	11 mm	5-7/8
BW-1112MB	12 mm	6-3/16
BW-1113MB	13 mm	6-1/2
BW-1114MB	14 mm	7-1/4
BW-1115MB	15 mm	7-5/8

BLACK FINISH COMBINATION WRENCH - INCH



Size (in)	Open-End Width (in)	Open-End Thickness (in)	Box-End Width (in)	Box-End Thickness (in)	Overall Length (in)	Weight (lbs)	Item No.
1/4	1/2	1/4	5/8	3/16	4-1/16	0.04	BW-1156B
5/16	9/16	5/16	13/16	3/16	4-7/16	0.06	BW-1159B
3/8	11/16	5/16	7/8	3/16	5-1/4	0.11	BW-1160B
7/16	3/4	5/16	1	1/4	5-7/8	0.13	BW-1161B
1/2	13/16	3/8	1-1/8	1/4	7-1/2	0.18	BW-1162B
9/16	7/8	3/8	1-1/4	5/16	7-1/4	0.25	BW-1163B
5/8	2	7/16	1-3/8	5/16	8	0.3	BW-1164B
11/16	1-1/16	7/16	2-9/16	5/16	8-13/16	0.39	BW-1165B
3/4	1-3/16	1/2	1-5/8	3/8	8-13/16	0.47	BW-1166B
13/16	1-3/8	9/16	1-7/8	3/8	11-11/16	0.66	BW-1167AB
7/8	1-3/8	9/16	1-7/8	3/8	11-11/16	0.78	BW-1167B
15/16	7-7/16	9/16	2	7/16	12-11/16	0.94	BW-1168B
1	1-1/2	5/8	2-1/8	7/16	13-9/16	1.02	BW-1170B
1-1/16	1-5/8	5/8	2-1/4	1/2	14-13/16	1.29	BW-1171B
1-1/8	1-3/4	11/16	2-5/16	1/2	15-5/8	1.57	BW-1172B
1-1/4	1-7/8	3/4	2-5/8	9/16	16-15/16	1.91	BW-1173B
1-5/16	1-7/8	3/4	2-11/16	9/16	17-13/16	2.61	BW-1174B
1-3/8	2	3/4	2-13/16	9/16	18-11/16	2.63	BW-1175B
1-7/16	2-1/16	13/16	2-15/16	9/16	19-9/16	3.45	BW-1176B
1-1/2	2-3/16	13/16	3-1/16	5/8	20-7/16	3.43	BW-1177B

ASME B107.100

Blackhawk
BY PROTO

Blackhawk™ by Proto® not available in all countries.

WRENCHES

COMBINATION WRENCHES



BLACK FINISH COMBINATION WRENCH - METRIC



WRENCHES

COMBINATION WRENCHES

Size (mm)	Open-End Width (in)	Open-End Thickness (in)	Box-End Width (in)	Box-End Thickness (in)	Overall Length (in)	Weight (lbs)	Item No.
6 mm	1/2	1/4	5/8	3/16	4-1/16	0.04	BW-1106MB
7 mm	1/2	1/4	11/16	3/16	4-5/16	0.05	BW-1107MB
8 mm	9/16	5/16	13/16	3/16	4-7/16	0.07	BW-1108MB
9 mm	11/16	5/16	7/8	3/16	4-7/8	0.09	BW-1109MB
10 mm	11/16	5/16	7/8	3/16	5-1/4	0.1	BW-1110MB
11 mm	3/4	5/16	63/64	1/4	5-7/8	0.14	BW-1111MB
12 mm	3/4	3/8	1-1/16	1/4	6-3/16	0.14	BW-1112MB
13 mm	13/16	3/8	1-1/8	1/4	6-1/2	0.2	BW-1113MB
14 mm	1-1/4	3/8	1-1/4	5/16	7-1/4	0.25	BW-1114MB
15 mm	15/16	3/8	1-5/16	5/16	7-5/8	0.29	BW-1115MB
16 mm	1	7/16	1-3/8	5/16	8	0.37	BW-1116MB
17 mm	1-1/16	7/16	1-9/16	5/16	8-13/16	0.37	BW-1117MB
18 mm	1-1/16	7/16	1-9/16	5/16	8-13/16	0.45	BW-1118MB
19 mm	1-3/16	1/2	1-5/8	3/8	9-3/4	0.47	BW-1119MB
20 mm	1-3/16	1/2	1-5/8	3/8	9-3/4	0.53	BW-1120MB
21 mm	1-1/4	1/2	1-3/4	3/8	10-3/4	0.65	BW-1121MB
22 mm	1-3/8	9/16	1-7/8	3/8	11-11/16	0.75	BW-1122MB
24 mm	1-7/16	9/16	2	7/16	12-11/16	0.92	BW-1124MB
25 mm	1-1/2	9/16	2-1/8	7/16	13-9/16	1.05	BW-1125MB
26 mm	1-1/2	9/16	2-1/8	7/16	13-9/16	1	BW-1126MB
27 mm	1-5/8	5/8	2-1/4	1/2	14-13/16	1.35	BW-1127MB
28 mm	3/4	11/16	2-5/16	1/2	15-5/8	1.53	BW-1128MB
30 mm	3/4	11/16	2-5/16	1/2	15-5/8	1.53	BW-1130MB
32 mm	1-7/8	3/4	2-5/8	9/16	15-15/16	2.08	BW-1132MB





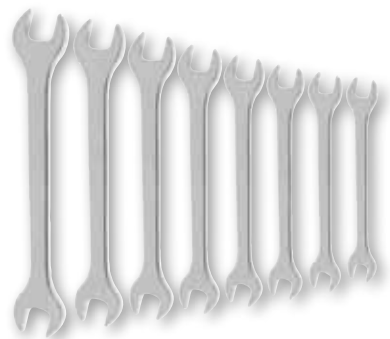
WRENCHES

OPEN-END WRENCHES

8 PIECE OPEN-END WRENCH SET

Item #: BW-108PNB

• Weight (lbs): 2.16



Contents	Size (in)	Overall Length (in)
4020P	1/4 X 5/16	4-1/2
4723P	3/8 X 7/16	5-51/64
4724P	7/16 X 1/2	6-13/32
4725P	1/2 X 9/16	7
4727P	5/8 X 11/16	8-19/64
4728P	11/16 X 3/4	8-29/32
4732P	13/16 X 7/8	10-3/32
4033P	15/16 X 1	11-13/32

8 PIECE METRIC OPEN-END WRENCH SET

Item #: BW-108MNB

• Weight (lbs): 2.16



Contents	Size (mm)	Overall Length (in)
BWE-67MP	6 X 7 mm	4-1/2
BWE-89MP	8 X 9 mm	5-3/32
BWE-1011MP	10 X 11 mm	5-51/64
BWE-1213MP	12 X 13 mm	6-13/32
BWE-1415MP	14 X 15 mm	7-19/32
BWE-1617MP	16 X 17 mm	8-19/64
BWE-1819MP	18 X 19 mm	8-29/32
BWE-2022MP	20 X 22 mm	9-1/2

OPEN-END WRENCH - INCH



Size (in)	Overall Length (in)	Weight (lbs)	Item No.
1/4 X 5/16	4-1/2	0.04	4020P
3/8 X 7/16	5-51/64	0.09	4723P
7/16 X 1/2	6-13/32	0.13	4724P
1/2 X 9/16	7	0.18	4725P
5/8 X 11/16	8-19/64	0.33	4727P
11/16 X 3/4	8-29/32	0.46	4728P
13/16 X 7/8	10-3/32	0.56	4732P
15/16 X 1	11-13/32	0.85	4033P

ASME B107.100

OPEN-END WRENCH - METRIC



Size (mm)	Overall Length (in)	Weight (lbs)	Item No.
6 X 7 mm	4-1/2	0.04	BWE-67MP
8 X 9 mm	5-3/32	0.06	BWE-89MP
10 X 11 mm	5-51/64	0.1	BWE-1011MP
12 X 13 mm	6-13/32	0.14	BWE-1213MP
14 X 15 mm	7-19/32	0.28	BWE-1415MP
16 X 17 mm	8-19/64	0.37	BWE-1617MP
18 X 19 mm	8-29/32	0.5	BWE-1819MP
20 X 22 mm	9-1/2	0.77	BWE-2022MP

ASME B107.100



10 PIECE OPEN-END IGNITION WRENCH SET

Item #: EW-40NB

• Weight (lbs): 1.90



Contents	Size (in)	Overall Length (in)
3114	13/64 X 15/64	3-13/64
3116	7/32 X 1/4	3-13/64
3118	15/64 X 13/64	3-13/64
3120	1/4 X 7/32	3-13/64
3122	17/64 X 19/64	3-1/2
3124	9/32 X 5/16	3-1/2
3128	5/16 X 9/32	3-1/2
3130	11/32 X 3/8	3-51/64
3132	3/8 X 11/32	3-51/64
3134	7/16 X 1/2	4-1/2

OPEN-END IGNITION WRENCHES



Size (in)	Open-End Width (in)	Overall Length (in)	Weight (lbs)	Item No.
13/64 X 15/64	1-7/64	3-13/64	0.2	3114
7/32 X 1/4	1-7/32	3-13/64	0.2	3116
15/64 X 13/64	1-11/32	3-13/64	0.2	3118
1/4 X 7/32	1-7/32	3-13/64	0.2	3120
17/64 X 19/64	1-21/64	3-1/2	0.3	3122
9/32 X 5/16	1-7/16	3-1/2	0.3	3124
5/16 X 9/32	1-11/16	3-1/2	0.3	3128
11/32 X 3/8	1-51/64	3-51/64	0.4	3130
3/8 X 11/32	1-59/64	3-51/64	0.4	3132
7/16 X 1/2	2-1/64	4-1/2	0.75	3134

ASME B107.100

WRENCHES

OPEN-END IGNITION WRENCHES

197



6 PIECE LONG BOX-END WRENCH SET

Item #: **BW-6PTNB**

• Weight (lbs): 3.36



Contents	Size (in)	Overall Length (in)
BWS-1202P	5/16 X 3/8	6-61/64
BWS-1206P	7/16 X 1/2	8-1/16
BWS-1211P	9/16 X 5/8	9-29/64
BWS-1214P	11/16 X 3/4	11-3/32
BWS-1216P	13/16 X 7/8	13-1/64
BWS-1218P	15/16 X 1	15-9/64

LONG BOX-END WRENCH



Size (in)	Box-End Width (in)	Box-End Thickness (in)	Overall Length (in)	Weight (lbs)	Item No.
5/16 X 3/8	37/64	35/64	6-61/64	0.1	BWS-1202P
7/16 X 1/2	3/4	21/64	8-1/16	0.18	BWS-1206P
1/2 X 9/16	57/64	3/8	8-7/16	0.22	BWS-1210P
9/16 X 5/8	15/16	25/64	9-29/64	0.36	BWS-1211P
11/16 X 3/4	49/64	29/64	11-3/32	0.48	BWS-1214P
13/16 X 7/8	57/64	33/64	13-1/64	0.67	BWS-1216P
15/16 X 1	1-11/64	37/64	15-9/64	1.08	BWS-1218P

ASME B107.100

4 PIECE FLARE NUT WRENCH SET

Item #: **FN-4PTNB**

• Weight (lbs): 1.11



Contents	Size (in)	Overall Length (in)
FN-1402P	3/8 X 7/16	6-5/16
FN-1404P	1/2 X 9/16	7-9/16
FN-1406P	5/8 X 11/16	8-53/64
FN-1410P	3/4 X 1	9-9/32

4 PIECE METRIC FLARE NUT WRENCH SET

Item #: **FN-4MNB**

• Weight (lbs): 1.11



Contents	Size (mm)	Overall Length (in)
FN-1012MP	10 X 12 mm	6-15/16
FN-1314MP	13 X 14 mm	7-9/16
FN-1517MP	15 X 17 mm	8-3/16
FN-1921MP	19 X 21 mm	8-25/32

Blackhawk
BY PROTO

Blackhawk™ by Proto® not available in all countries.

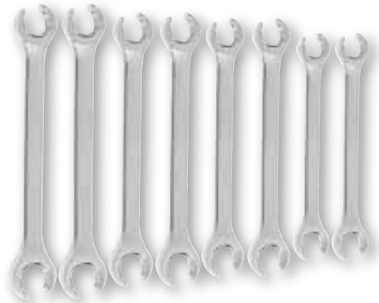




8 PIECE STANDARD AND METRIC FLARE NUT WRENCH SET

Item #: FN-8PTNB

• Weight (lbs): 2.28



Contents	Size	Overall Length (in)
FN-1402P	3/8 X 7/16	6-5/16
FN-1404P	1/2 X 9/16	7-9/16
FN-1406P	5/8 X 11/16	8-53/64
FN-1410P	3/4 X 1	9-9/32
FN-1012MP	10 X 12 mm	6-15/16
FN-1314MP	13 X 14 mm	7-9/16
FN-1517MP	15 X 17 mm	8-3/16
FN-1921MP	19 X 21 mm	8-25/32

FLARE NUT WRENCH - INCH



Size (in)	Open-End Width (in)	Open-End Thickness (in)	Box-End Width (in)	Box-End Thickness (in)	Overall Length (in)	Weight (lbs)	Item No.
3/8 X 7/16	13/16	23/64	59/64	25/64	6-5/16	0.17	FN-1402P
1/2 X 9/16	1-1/64	25/64	1-5/64	29/64	7-9/16	0.26	FN-1404P
5/8 X 11/16	1-9/64	29/64	1-15/64	1/2	8-53/64	0.41	FN-1406P
3/4 X 1	1-9/32	33/64	1-19/32	41/64	9-9/32	0.5	FN-1410P

ASME B107.100

FLARE NUT WRENCH - METRIC



Size (mm)	Open-End Width (in)	Open-End Thickness (in)	Box-End Width (in)	Box-End Thickness (in)	Overall Length (in)	Weight (lbs)	Item No.
9 X 11 mm	13/16	23/64	59/64	25/64	6-5/16	0.12	FN-911MP
10 X 12 mm	55/64	25/64	31/32	25/64	6-15/16	0.22	FN-1012MP
13 X 14 mm	1-1/64	25/64	1-5/64	29/64	7-9/16	0.26	FN-1314MP
15 X 17 mm	1-7/64	29/64	1-3/16	31/64	8-3/16	0.32	FN-1517MP
19 X 21 mm	1-9/32	33/64	1-23/64	35/64	8-25/32	0.49	FN-1921MP

ASME B107.100





WRENCHES

ADJUSTABLE WRENCH

- Tight tolerance mobile jaw. Laser etched size markings.
- Wide handle for better grip & leverage. Nickel chrome finish.



Open-End Width (in)	Open-End Thickness (in)	Overall Length (in)	Weight (lbs)	Item No.
1-31/64	3/8	4	0.14	AW-1004-2
1-61/64	7/16	6	0.3	AW-1006-2
2-7/16	1/2	8	0.57	AW-1008-2
2-13/16	21/32	10	1.02	AW-1010-2
3-7/32	45/64	12	1.56	AW-1012-2
4-11/64	15/16	15	2.79	AW-1015-2
4-55/64	1-1/16	18	3.82	AW-1018-2
5-9/16	1-17/64	24	7.39	AW-1024-2

AIR CONDITIONING WRENCH



Size (in)	Weight (lbs)	Item No.
1/4" and 3/16" Square Ratchet 1/2" and 9/16" Hex End	0.33	ZW-1045A-A

3/8" DRIVE CROWFOOT WRENCH



Size (in)	Open-End Width (in)	Open-End Thickness (in)	Overall Length (in)	Weight (lbs)	Item No.
3/8	59/64	1/4	1-7/32	0.06	BCF-12
7/16	59/64	1/4	1-3/16	0.06	BCF-14
1/2	1-7/64	1/4	1-11/32	0.07	BCF-16
9/16	1-7/64	1/4	1-5/16	0.08	BCF-18
5/8	1-23/64	1/4	1-33/64	0.09	BCF-20
11/16	1-23/64	1/4	1-31/64	0.1	BCF-22
3/4	1-39/64	1/4	2-11/16	0.11	BCF-24
13/16	1-39/64	1/4	3-11/16	0.11	BCF-26
7/8	1-39/64	1/4	4-11/16	0.12	BCF-28
1	1-11/16	1/4	1-47/64	0.14	BCF-32

ASME B107.21

3/8" DRIVE METRIC CROWFOOT WRENCH



Size (mm)	Open-End Width (in)	Open-End Thickness (in)	Overall Length (in)	Weight (lbs)	Item No.
10 mm	59/64	1/4	1-7/32	0.06	BCF-10M
11 mm	59/64	1/4	1-7/32	0.07	BCF-11M
12 mm	1-7/64	1/4	1-11/32	0.07	BCF-12M
13 mm	2-7/64	1/4	1-11/32	0.07	BCF-13M
14 mm	1-7/64	1/4	1-11/32	0.09	BCF-14M
15 mm	1-23/64	1/4	1-33/64	0.09	BCF-15M
16 mm	1-23/64	1/4	1-33/64	0.09	BCF-16M
17 mm	1-23/64	1/4	1-33/64	0.09	BCF-17M
19 mm	1-39/64	1/4	1-11/16	0.11	BCF-19M
21 mm	1-39/64	1/4	1-11/16	0.11	BCF-21M
22 mm	1-39/64	1/4	1-11/16	0.12	BCF-22M

ASME B107.21

MISCELLANEOUS WRENCHES



IMPACT SOCKETS & ACCESSORIES

BUILT FOR POWERED APPLICATIONS

Blackhawk™ by Proto® impact sockets now feature laser etched and stamped markings to better identify sizes in any working condition as well as a non-slip black oxide finish. With drive sizes ranging from 1/4" to 3/4" and fastener sizes from T9 Torx® to 1-5/8" we have most light industrial and automotive applications covered. Sets now include convenient blow mold cases for storage and transport.



One piece bit sockets eliminate potential for foreign object damage in aerospace applications

Stamped and laser etched size markings provide easier identification in any working condition

Non-slip, black oxide finish for better grip and durability



IMPACT SOCKETS

Item No.	Drive Size	Inch or Metric	Standard or Deep	Piece Count
97005	3/8"	Inch	Standard and Deep	25
U-1627CDS	3/8"	Inch and Metric	Deep	25
U-1513S	3/8"	Inch	Standard	13
U-1512DS	3/8"	Inch	Deep	12
U-1513MS	3/8"	Metric	Standard	13
U-1613MS	3/8"	Metric	Deep	13
UW-533CDS	1/2"	Inch and Metric	Deep	33
UW-1615S	1/2"	Inch	Standard	15
UW-1514DS	1/2"	Inch	Deep	14
UW-516MDS	1/2"	Metric	Deep	16
UW-616MS	1/2"	Metric	Standard	17
UW-2414S	3/4"	Inch	Standard	14
UW-2614DS	3/4"	Inch	Deep	14

BIT IMPACT SOCKETS

Item No.	Drive Size	Inch or Metric	Type	Piece Count
TS-1213S	1/4, 3/8, 1/2"	x	Internal Torx®	13
TS-1210S	1/4 and 3/8"	x	External Torx®	10
UH-3816CS	3/8"	Inch and Metric	Hex	16
UH-1216CS	1/2"	Inch and Metric	Hex	16
UH-3406S	3/4"	Inch	Hex	6
UH-3406MS	3/4"	Metric	Hex	6



13 PIECE INTERNAL TORX® SOCKET SET

Item #: TS-1213S

- Non-slip surface treatment. Laser etch & stamped markings provide readability and permanence. Blow mold case.



Contents	Description
TS-1209-2	1/4" Drive T9 Torx® Impact Socket
TS-1210-2	1/4" Drive T10 Torx® Impact Socket
TS-1215-2	1/4" Drive T15 Torx® Impact Socket
TS-1220-2	1/4" Drive T20 Torx® Impact Socket
TS-1225-2	1/4" Drive T25 Torx® Impact Socket
TS-1227-2	1/4" Drive T27 Torx® Impact Socket
TS-1230-2	1/4" Drive T30 Torx® Impact Socket
TS-1340-2	3/8" Drive T40 Torx® Impact Socket
TS-1345-2	3/8" Drive T45 Torx® Impact Socket
TS-1347-2	3/8" Drive T47 Torx® Impact Socket
TS-1350-2	3/8" Drive T50 Torx® Impact Socket
TS-1355-2	3/8" Drive T55 Torx® Impact Socket
TS-1460-2	1/2" Drive T60 Torx® Impact Socket

10 PIECE EXTERNAL TORX® SOCKET SET

Item #: TS-1210S

- Non-slip surface treatment. Laser etch & stamped markings provide readability and permanence. Blow mold case.



Contents	Description
TS-2204-2	1/4" Drive E4 External Torx® Socket
TS-2205-2	1/4" Drive E5 External Torx® Socket
TS-2206-2	1/4" Drive E6 External Torx® Socket
TS-2207-2	1/4" Drive E7 External Torx® Socket
TS-2208-2	1/4" Drive E8 External Torx® Socket
TS-2310-2	3/8" Drive E10 External Torx® Socket
TS-2312-2	3/8" Drive E12 External Torx® Socket
TS-2314-2	3/8" Drive E14 External Torx® Socket
TS-2316-2	3/8" Drive E16 External Torx® Socket
TS-2418-2	3/8" Drive E18 External Torx® Socket

1/4" DRIVE EXTERNAL TORX® IMPACT SOCKETS

- Non-slip surface treatment. Laser etch & stamped markings provide readability and permanence.



Torx Size	Bit Length (in)	Overall Length (in)	Weight (lbs)	Item No.
E4	15/32	1	0.03	TS-2204-2
E5	15/32	1	0.03	TS-2205-2
E6	15/32	1	0.03	TS-2206-2
E7	15/32	1	0.03	TS-2207-2
E8	29/64	1	0.03	TS-2208-2



1/4" DRIVE TAMPER RESISTANT TORX® IMPACT SOCKETS

- Non-slip surface treatment. Laser etch & stamped markings provide readability and permanence.



Torx Size	Bit Length (in)	Overall Length (in)	Weight (lbs)	Item No.
T10H	31/64	1	0.02	TR-3210-2
T15H	31/64	1	0.02	TR-3215-2
T20H	31/64	1	0.02	TR-3220-2
T25H	31/64	1	0.02	TR-3225-2
T27H	31/64	1	0.03	TR-3227-2
T30H	31/64	1	0.02	TR-3230-2

1/4" DRIVE INTERNAL TORX® IMPACT SOCKETS

- Non-slip surface treatment. Laser etch & stamped markings provide readability and permanence.



Torx Size	Bit Length (in)	Overall Length (in)	Weight (lbs)	Item No.
T9	31/64	1	0.02	TS-1209-2
T10	31/64	1	0.02	TS-1210-2
T15	31/64	1	0.02	TS-1215-2
T20	31/64	1	0.02	TS-1220-2
T25	1/2	1	0.02	TS-1225-2
T27	1/2	1	0.02	TS-1227-2
T30	33/64	1	0.02	TS-1230-2

25 PIECE 3/8" DRIVE DEEP IMPACT SOCKET SET

Item #: U-1627CDS



Contents	Size	Overall Length (in)
U-1610-2	5/16	2-33/64
U-1612-2	3/8	2-35/64
U-1614-2	7/16	2-9/16
U-1616-2	1/2	2-9/16
U-1618-2	9/16	2-9/16
U-1620-2	5/8	2-9/16
U-1622-2	11/16	2-9/16
U-1624-2	3/4	2-9/16
U-1626-2	13/16	2-9/16
U-1628-2	7/8	2-9/16
U-1630-2	15/16	2-9/16
U-1632-2	1	2-9/16
U-1607M-2	7 mm	2-15/32
U-1608M-2	8 mm	2-33/64
U-1609M-2	9 mm	2-35/64
U-1610M-2	10 mm	2-35/64
U-1611M-2	11 mm	2-35/64
U-1612M-2	12 mm	2-35/64
U-1613M-2	13 mm	2-9/16
U-1614M-2	14 mm	2-19/32
U-1615M-2	15 mm	2-35/64
U-1616M-2	16 mm	2-35/64
U-1617M-2	17 mm	2-9/16
U-1618M-2	18 mm	2-35/64
U-1619M-2	19 mm	2-9/16



25 PIECE 3/8" DRIVE STANDARD AND DEEP IMPACT SOCKET SET - 6 POINT

Item #: 97005



Contents	Size (in)	Overall Length (in)
U-1508-2	1/4	1-5/32
U-1510-2	5/16	1-11/64
U-1512-2	3/8	1-5/32
U-1514-2	7/16	1-5/32
U-1516-2	1/2	1-5/32
U-1518-2	9/16	1-5/32
U-1520-2	5/8	1-11/64
U-1522-2	11/16	1-11/64
U-1524-2	3/4	1-11/64
U-1526-2	13/16	1-3/16
U-1528-2	7/8	1-3/16
U-1530-2	15/16	1-3/16
U-1532-2	1	1-3/16
U-1610-2	5/16	2-33/64
U-1612-2	3/8	2-35/64
U-1614-2	7/16	2-9/16
U-1616-2	1/2	2-9/16
U-1618-2	9/16	2-9/16
U-1620-2	5/8	2-9/16
U-1622-2	11/16	2-9/16
U-1624-2	3/4	2-9/16
U-1626-2	13/16	2-9/16
U-1628-2	7/8	2-9/16
U-1630-2	15/16	2-9/16
U-1632-2	1	2-9/16

13 PIECE 3/8" DRIVE IMPACT SOCKET SET - 6 POINT

Item #: U-1513S



Contents	Size (in)	Overall Length (in)
U-1508-2	1/4	1-5/32
U-1510-2	5/16	1-11/64
U-1512-2	3/8	1-5/32
U-1514-2	7/16	1-5/32
U-1516-2	1/2	1-5/32
U-1518-2	9/16	1-5/32
U-1520-2	5/8	1-11/64
U-1522-2	11/16	1-11/64
U-1524-2	3/4	1-11/64
U-1526-2	13/16	1-3/16
U-1528-2	7/8	1-3/16
U-1530-2	15/16	1-3/16
U-1532-2	1	1-3/16

3/8" DRIVE IMPACT SOCKET SETS



WARNING: WORK SAFELY WITH TOOLS, WEAR SAFETY GOGGLES



12 PIECE 3/8" DRIVE DEEP IMPACT SOCKET SET - 6 POINT

Item #: U-1512DS



Contents	Size (in)	Overall Length (in)
U-1610-2	5/16	2-33/64
U-1612-2	3/8	2-35/64
U-1614-2	7/16	2-9/16
U-1616-2	1/2	2-9/16
U-1618-2	9/16	2-9/16
U-1620-2	5/8	2-9/16
U-1622-2	11/16	2-9/16
U-1624-2	3/4	2-9/16
U-1626-2	13/16	2-9/16
U-1628-2	7/8	2-9/16
U-1630-2	15/16	2-9/16
U-1632-2	1	2-9/16

13 PIECE 3/8" DRIVE METRIC IMPACT SOCKET SET - 6 POINT

Item #: U-1513MS



Contents	Size (mm)	Overall Length (in)
U-1507M-2	7 mm	1-11/64
U-1508M-2	8 mm	1-9/16
U-1509M-2	9 mm	1-5/32
U-1510M-2	10 mm	1-5/32
U-1511M-2	11 mm	1-5/32
U-1512M-2	12 mm	1-11/64
U-1513M-2	13 mm	1-11/64
U-1514M-2	14 mm	1-5/32
U-1515M-2	15 mm	1-5/32
U-1516M-2	16 mm	1-3/16
U-1517M-2	17 mm	1-3/16
U-1518M-2	18 mm	1-11/64
U-1519M-2	19 mm	1-11/64

13 PIECE 3/8" DRIVE DEEP METRIC IMPACT SOCKET SET - 6 POINT

Item #: U-1613MS



Contents	Size (mm)	Overall Length (in)
U-1607M-2	7 mm	2-15/32
U-1608M-2	8 mm	2-33/64
U-1609M-2	9 mm	2-35/64
U-1610M-2	10 mm	2-35/64
U-1611M-2	11 mm	2-35/64
U-1612M-2	12 mm	2-35/64
U-1613M-2	13 mm	2-9/16
U-1614M-2	14 mm	2-19/32
U-1615M-2	15 mm	2-35/64
U-1616M-2	16 mm	2-35/64
U-1617M-2	17 mm	2-9/16
U-1618M-2	18 mm	2-35/64
U-1619M-2	19 mm	2-9/16



16 PIECE 3/8" DRIVE HEX BIT IMPACT SOCKET SET - 6 POINT

Item #: UH-3816CS



Contents	Size	Overall Length (in)
UH-3804	1/4	1-7/64
UH-3806	5/16	1-7/64
UH-3808	3/8	1-7/64
UH-3810	7/16	1-7/64
UH-3812	1/2	1-7/64
UH-3814	9/16	1-7/64
UH-3816	5/8	1-7/64
UH-3818	3/4	1-7/64
UH-3806M	6 mm	1-7/64
UH-3807M	7 mm	1-7/64
UH-3808M	8 mm	1-7/64
UH-3810M	10 mm	1-7/64
UH-3812M	12 mm	1-7/64
UH-3814M	14 mm	1-7/64
UH-3817M	17 mm	1-7/64
UH-3819M	19 mm	1-7/64

3/8" DRIVE IMPACT SOCKETS - 6 POINT

• Non-slip surface treatment. Laser etch & stamped markings provide readability and permanence.



Size (in)	Drive End Diameter (in)	Working End Diameter (in)	Overall Length (in)	Weight (lbs)	Item No.
1/4	3/4	27/64	1-5/32	0.07	U-1508-2
5/16	3/4	1/2	1-11/64	0.07	U-1510-2
3/8	3/4	37/64	1-5/32	0.07	U-1512-2
7/16	3/4	43/64	1-5/32	0.08	U-1514-2
1/2	3/4	3/4	1-5/32	0.09	U-1516-2
9/16	13/16	25/32	1-5/32	0.09	U-1518-2
5/8	29/32	15/16	1-11/64	0.15	U-1520-2
11/16	1	15/16	1-11/64	0.14	U-1522-2
3/4	1-1/16	1-1/16	1-11/64	0.16	U-1524-2
13/16	1-3/32	1-3/32	1-3/16	0.19	U-1526-2
7/8	1-11/64	1-11/64	1-3/16	0.22	U-1528-2
15/16	1-1/4	1-1/4	1-3/16	0.25	U-1530-2
1	1-21/64	1-21/64	1-3/16	0.3	U-1532-2

3/8" DRIVE METRIC IMPACT SOCKETS - 6 POINT

• Non-slip surface treatment. Laser etch & stamped markings provide readability and permanence.



Size (mm)	Drive End Diameter (in)	Working End Diameter (in)	Overall Length (in)	Weight (lbs)	Item No.
7 mm	3/4	29/64	1-11/64	0.07	U-1507M-2
8 mm	3/4	1/2	1-9/16	0.07	U-1508M-2
9 mm	3/4	9/16	1-5/32	0.07	U-1509M-2
10 mm	3/4	19/32	1-5/32	0.08	U-1510M-2
11 mm	3/4	43/64	1-5/32	0.08	U-1511M-2
12 mm	3/4	3/4	1-11/64	0.09	U-1512M-2
13 mm	3/4	3/4	1-11/64	0.08	U-1513M-2
14 mm	25/32	25/32	1-5/32	0.09	U-1514M-2
15 mm	7/8	7/8	1-5/32	0.12	U-1515M-2
16 mm	15/16	15/16	1-3/16	0.15	U-1516M-2
17 mm	15/16	15/16	1-3/16	0.15	U-1517M-2
18 mm	63/64	63/64	1-11/64	0.16	U-1518M-2
19 mm	1-1/64	1-1/64	1-11/64	0.16	U-1519M-2



WARNING: WORK SAFELY WITH TOOLS, WEAR SAFETY GOGGLES



3/8" DRIVE DEEP IMPACT SOCKETS - 6 POINT

- Non-slip surface treatment. Laser etch & stamped markings provide readability and permanence.



Size (in)	Drive End Diameter (in)	Working End Diameter (in)	Overall Length (in)	Weight (lbs)	Item No.
5/16	3/4	31/64	2-33/64	0.23	U-1610-2
3/8	3/4	37/64	2-35/64	0.22	U-1612-2
7/16	3/4	43/64	2-9/16	0.2	U-1614-2
1/2	3/4	3/4	2-9/16	0.19	U-1616-2
9/16	25/32	25/32	2-9/16	0.19	U-1618-2
5/8	59/64	59/64	2-9/16	0.29	U-1620-2
11/16	61/64	61/64	2-9/16	0.29	U-1622-2
3/4	1-1/32	1-1/32	2-9/16	0.34	U-1624-2
13/16	1-7/64	1-7/64	2-9/16	0.41	U-1626-2
7/8	1-3/16	1-3/16	2-9/16	0.47	U-1628-2
15/16	1-1/4	1-1/4	2-9/16	0.53	U-1630-2
1	1-11/32	1-11/32	2-9/16	0.59	U-1632-2

3/8" DRIVE METRIC DEEP IMPACT SOCKETS - 6 POINT

- Non-slip surface treatment. Laser etch & stamped markings provide readability and permanence.



Size (mm)	Drive End Diameter (in)	Working End Diameter (in)	Overall Length (in)	Weight (lbs)	Item No.
7 mm	47/64	29/64	2-15/32	0.22	U-1607M-2
8 mm	47/64	1/2	2-33/64	0.22	U-1608M-2
9 mm	47/64	35/64	2-35/64	0.22	U-1609M-2
10 mm	47/64	39/64	2-35/64	0.21	U-1610M-2
11 mm	47/64	43/64	2-35/64	0.2	U-1611M-2
12 mm	47/64	47/64	2-35/64	0.2	U-1612M-2
13 mm	47/64	47/64	2-9/16	0.18	U-1613M-2
14 mm	25/32	25/32	2-19/32	0.2	U-1614M-2
15 mm	7/8	7/8	2-35/64	0.26	U-1615M-2
16 mm	59/64	59/64	2-35/64	0.29	U-1616M-2
17 mm	61/64	61/64	2-9/16	0.3	U-1617M-2
18 mm	1	1	2-35/64	0.32	U-1618M-2
19 mm	1-1/64	1-1/64	2-9/16	0.34	U-1619M-2

3/8" DRIVE HEX BIT IMPACT SOCKETS

- Non-slip surface treatment. Laser etch & stamped markings provide readability and permanence.



Size (in)	Overall Length (in)	Weight (lbs)	Item No.
1/4	1-7/64	0.06	UH-3804
5/16	1-7/64	0.07	UH-3806
3/8	1-7/64	0.07	UH-3808
7/16	1-7/64	0.08	UH-3810
1/2	1-7/64	0.08	UH-3812
9/16	1-7/64	0.12	UH-3814
5/8	1-7/64	0.13	UH-3816
3/4	1-7/64	0.16	UH-3818

Blackhawk
BY PROTO

Blackhawk™ by Proto® not available in all countries.

IMPACT SOCKETS

3/8" DRIVE IMPACT SOCKETS

200



3/8" DRIVE METRIC HEX BIT IMPACT SOCKETS

- Non-slip surface treatment. Laser etch & stamped markings provide readability and permanence.



Size (mm)	Overall Length (in)	Weight (lbs)	Item No.
6 mm	1-7/64	0.06	UH-3806M
7 mm	1-7/64	0.07	UH-3807M
8 mm	1-7/64	0.07	UH-3808M
10 mm	1-7/64	0.08	UH-3810M
12 mm	1-7/64	0.08	UH-3812M
14 mm	1-7/64	0.12	UH-3814M
17 mm	1-7/64	0.13	UH-3817M
19 mm	1-7/64	0.16	UH-3819M

3/8" DRIVE EXTERNAL TORX® IMPACT SOCKETS

- Non-slip surface treatment. Laser etch & stamped markings provide readability and permanence.



Torx Size	Overall Length (in)	Weight (lbs)	Item No.
E8	1-17/64	0.08	TS-2308-2
E10	1-17/64	0.08	TS-2310-2
E12	1-17/64	0.05	TS-2312-2
E14	1-17/64	0.09	TS-2314-2
E16	1-17/64	0.1	TS-2316-2

3/8" DRIVE INTERNAL TORX® IMPACT SOCKETS

- Non-slip surface treatment. Laser etch & stamped markings provide readability and permanence.



Torx Size	Overall Length (in)	Weight (lbs)	Item No.
T40	1-37/64	0.08	TS-1340-2
T45	1-37/64	0.09	TS-1345-2
T47	1-37/64	0.09	TS-1347-2
T50	1-37/64	0.09	TS-1350-2
T55	1-39/64	0.1	TS-1355-2

3/8" DRIVE TAMPER RESISTANT TORX® IMPACT SOCKETS

- Non-slip surface treatment. Laser etch & stamped markings provide readability and permanence.



Torx Size	Overall Length (in)	Weight (lbs)	Item No.
T10	1-17/64	0.08	TR-3340-2
T15	1-17/64	0.08	TR-3345-2
T20	1-17/64	0.08	TR-3350-2

3/8" DRIVE IMPACT SOCKETS



3/8" DRIVE IMPACT EXTENSIONS

- Non slip surface, black oxide impact socket extension.



Overall Length (in)	Weight (lbs)	Item No.
3	0.2	UW-20-2
5	0.3	UW-21-2
10	0.56	UW-22-2

3/8" DRIVE IMPACT UNIVERSAL JOINTS

- Non slip surface, black oxide universal impact socket.



Drive End Diameter (in)	Overall Length (in)	Weight (lbs)	Item No.
15/16	2-1/16	0.23	UW-23-2

33 PIECE 1/2" DRIVE DEEP IMPACT SOCKET SET - 6 POINT

Item #: UW-533CDS



Contents	Size	Overall Length (in)
UW-1512-2	3/8	2-7/32
UW-1514-2	7/16	3-15/64
UW-1516-2	1/2	3-7/32
UW-1518-2	9/16	3-7/32
UW-1520-2	5/8	3-7/32
UW-1522-2	11/16	3-15/64
UW-1524-2	3/4	3-7/32
UW-1526-2	13/16	3-7/32
UW-1528-2	7/8	3-15/64
UW-1530-2	15/16	3-15/64
UW-1532-2	1	3-15/64
UW-1534-2	1-1/16	3-15/64
UW-1536-2	1-1/8	3-15/64
UW-1538-2	1-1/4	3-15/64
UW-510M-2	10 mm	3-7/32
UW-511M-2	11 mm	3-7/32
UW-512M-2	12 mm	3-15/64
UW-513M-2	13 mm	3-15/64
UW-514M-2	14 mm	3-15/64
UW-515M-2	15 mm	3-7/32
UW-516M-2	16 mm	3-15/64
UW-517M-2	17 mm	3-7/32
UW-518M-2	18 mm	3-7/32
UW-519M-2	19 mm	3-7/32
UW-520M-2	20 mm	3-7/32
UW-521M-2	21 mm	3-7/32
UW-522M-2	22 mm	3-7/32
UW-524M-2	24 mm	3-7/32
UW-526M-2	26 mm	3-15/64
UW-527M-2	27 mm	3-15/64
UW-30-2	1/2" Drive Impact Extension - 3"	
UW-24-2	1/2" Drive Impact Extension - 5"	
49976-2	1/2" Drive Universal Joint Impact Socket 3"	



15 PIECE 1/2" DRIVE IMPACT SOCKET SET - 6 POINT

Item #: UW-1615S



Contents	Size (in)	Overall Length (in)
UW-1612-2	3/8	1-1/2
UW-1614-2	7/16	1-1/2
UW-1616-2	1/2	1-31/64
UW-1618-2	9/16	1-1/2
UW-1620-2	5/8	1-1/2
UW-1622-2	11/16	1-31/64
UW-1624-2	3/4	1-1/2
UW-1626-2	13/16	1-31/64
UW-1628-2	7/8	1-1/2
UW-1630-2	15/16	1-33/64
UW-1632-2	1	1-31/64
UW-1634-2	1-1/16	1-37/64
UW-1636-2	1-1/8	1-37/64
UW-1638-2	1-3/16	1-37/64
UW-1640-2	1-1/4	1-37/64

14 PIECE 1/2" DRIVE DEEP IMPACT SOCKET SET - 6 POINT

Item #: UW-1514DS



Contents	Size (in)	Overall Length (in)
UW-1512-2	3/8	2-7/32
UW-1514-2	7/16	3-15/64
UW-1516-2	1/2	3-7/32
UW-1518-2	9/16	3-7/32
UW-1520-2	5/8	3-7/32
UW-1522-2	11/16	3-15/64
UW-1524-2	3/4	3-7/32
UW-1526-2	13/16	3-7/32
UW-1528-2	7/8	3-15/64
UW-1530-2	15/16	3-15/64
UW-1532-2	1	3-15/64
UW-1534-2	1-1/16	3-15/64
UW-1536-2	1-1/8	3-15/64
UW-1538-2	1-1/4	3-15/64



WARNING: WORK SAFELY WITH TOOLS, WEAR SAFETY GOGGLES



16 PIECE 1/2" DRIVE DEEP METRIC IMPACT SOCKET SET - 6 POINT

Item #: UW-516MDS



Contents	Size (mm)	Overall Length (in)
UW-510M-2	10 mm	3-7/32
UW-511M-2	11 mm	3-7/32
UW-512M-2	12 mm	3-15/64
UW-513M-2	13 mm	3-15/64
UW-514M-2	14 mm	3-15/64
UW-515M-2	15 mm	3-7/32
UW-516M-2	16 mm	3-15/64
UW-517M-2	17 mm	3-7/32
UW-518M-2	18 mm	3-7/32
UW-519M-2	19 mm	3-7/32
UW-520M-2	20 mm	3-7/32
UW-521M-2	21 mm	3-7/32
UW-522M-2	22 mm	3-7/32
UW-524M-2	24 mm	3-7/32
UW-526M-2	26 mm	3-15/64
UW-527M-2	27 mm	3-15/64

17 PIECE 1/2" DRIVE METRIC IMPACT SOCKET SET - 6 POINT

Item #: UW-616MS



Contents	Size (mm)	Overall Length (in)
UW-610M-2	10 mm	1-1/2
UW-611M-2	11 mm	1-1/2
UW-612M-2	12 mm	1-1/2
UW-613M-2	13 mm	1-1/2
UW-614M-2	14 mm	1-1/2
UW-615M-2	15 mm	1-9/16
UW-616M-2	16 mm	1-1/2
UW-617M-2	17 mm	1-31/64
UW-618M-2	18 mm	1-1/2
UW-619M-2	19 mm	1-1/2
UW-620M-2	20 mm	1-1/2
UW-621M-2	21 mm	1-31/64
UW-622M-2	22 mm	1-33/64
UW-624M-2	24 mm	1-1/2
UW-626M-2	26 mm	1-1/2
UW-627M-2	27 mm	1-19/32

16 PIECE 1/2" DRIVE HEX BIT IMPACT SOCKET SET

Item #: UH-1216CS



Contents	Size	Overall Length (in)
UH-1204	1/4	2-11/64
UH-1206	5/16	2-5/32
UH-1208	3/8	2-11/64
UH-1210	7/16	2-11/64
UH-1212	1/2	2-11/64
UH-1214	9/16	2-11/64
UH-1216	5/8	2-11/64
UH-1218	3/4	2-11/64
UH-1206M	6 mm	2-5/32
UH-1207M	7 mm	2-11/64
UH-1208M	8 mm	2-11/64
UH-1210M	10 mm	2-11/64
UH-1212M	12 mm	2-11/64
UH-1214M	14 mm	2-11/64
UH-1217M	17 mm	2-11/64
UH-1219M	19 mm	2-5/32

Blackhawk
BY PROTO

Blackhawk™ by Proto® not available in all countries.

IMPACT SOCKETS

1/2" DRIVE IMPACT SOCKET SETS



1/2" DRIVE IMPACT SOCKETS - 6 POINT

- Non-slip surface treatment. Laser etch & stamped markings provide readability and permanence.



Size (in)	Drive End Diameter (in)	Working End Diameter (in)	Overall Length (in)	Weight (lbs)	Item No.
3/8	55/64	21/32	1-1/2	0.14	UW-1612-2
7/16	55/64	45/64	1-1/2	0.14	UW-1614-2
1/2	55/64	51/64	1-31/64	0.14	UW-1616-2
9/16	15/16	7/8	1-1/2	0.17	UW-1618-2
5/8	63/64	63/64	1-1/2	0.19	UW-1620-2
11/16	1-1/64	1-1/64	1-31/64	0.20	UW-1622-2
3/4	1-3/32	1-3/32	1-1/2	0.24	UW-1624-2
13/16	1-11/64	1-11/64	1-31/64	0.28	UW-1626-2
7/8	1-1/4	1-1/4	1-1/2	0.31	UW-1628-2
15/16	1-21/64	1-21/64	1-33/64	0.37	UW-1630-2
1	1-27/64	1-27/64	1-31/64	0.40	UW-1632-2
1-1/16	1-31/64	1-31/64	1-37/64	0.48	UW-1634-2
1-1/8	1-1/2	1-37/64	1-37/64	0.51	UW-1636-2
1-3/16	1-1/2	1-41/64	1-37/64	0.54	UW-1638-2
1-1/4	1-1/2	1-47/64	1-37/64	0.56	UW-1640-2

1/2" DRIVE METRIC IMPACT SOCKETS - 6 POINT

- Non-slip surface treatment. Laser etch & stamped markings provide readability and permanence.



Size (mm)	Drive End Diameter (in)	Working End Diameter (in)	Overall Length (in)	Weight (lbs)	Item No.
10 mm	55/64	11/16	1-1/2	0.14	UW-610M-2
11 mm	55/64	23/32	1-1/2	0.14	UW-611M-2
12 mm	55/64	49/64	1-1/2	0.14	UW-612M-2
13 mm	15/16	53/64	1-1/2	0.17	UW-613M-2
14 mm	15/16	7/8	1-1/2	0.17	UW-614M-2
15 mm	63/64	59/64	1-9/16	0.20	UW-615M-2
16 mm	63/64	63/64	1-1/2	0.19	UW-616M-2
17 mm	1-1/64	1-1/64	1-31/64	0.21	UW-617M-2
18 mm	1-1/16	1-1/16	1-1/2	0.23	UW-618M-2
19 mm	1-3/32	1-3/32	1-1/2	0.23	UW-619M-2
20 mm	1-11/64	1-11/64	1-1/2	0.28	UW-620M-2
21 mm	1-11/64	1-11/64	1-31/64	0.27	UW-621M-2
22 mm	1-1/4	1-1/4	1-33/64	0.33	UW-622M-2
24 mm	1-21/64	1-21/64	1-1/2	0.36	UW-624M-2
26 mm	1-27/64	1-27/64	1-1/2	0.40	UW-626M-2
27 mm	1-29/64	1-29/64	1-19/32	0.48	UW-627M-2



1/2" DRIVE DEEP IMPACT SOCKETS - 6 POINT

- Non-slip surface treatment. Laser etch & stamped markings provide readability and permanence.



Size (in)	Drive End Diameter (in)	Working End Diameter (in)	Overall Length (in)	Weight (lbs)	Item No.
3/8	63/64	5/8	2-7/32	0.49	UW-1512-2
7/16	63/64	45/64	3-15/64	0.48	UW-1514-2
1/2	63/64	25/32	3-7/32	0.46	UW-1516-2
9/16	63/64	55/64	3-7/32	0.45	UW-1518-2
5/8	63/64	63/64	3-7/32	0.43	UW-1520-2
11/16	1-1/64	1-1/64	3-15/64	0.47	UW-1522-2
3/4	1-7/64	1-7/64	3-7/32	0.52	UW-1524-2
13/16	1-3/16	1-3/16	3-7/32	0.59	UW-1526-2
7/8	1-17/64	1-17/64	3-15/64	0.70	UW-1528-2
15/16	1-11/32	1-11/32	3-15/64	0.74	UW-1530-2
1	1-27/64	1-27/64	3-15/64	0.84	UW-1532-2
1-1/16	1-1/2	1-1/2	3-15/64	1.00	UW-1534-2
1-1/8	1-1/2	1-37/64	3-15/64	1.07	UW-1536-2
1-1/4	1-1/2	1-47/64	3-15/64	1.23	UW-1538-2

1/2" DRIVE METRIC DEEP IMPACT SOCKETS - 6 POINT

- Non-slip surface treatment. Laser etch & stamped markings provide readability and permanence.



Size (mm)	Drive End Diameter (in)	Working End Diameter (in)	Overall Length (in)	Weight (lbs)	Item No.
10 mm	63/64	21/32	3-7/32	0.49	UW-510M-2
11 mm	63/64	45/64	3-7/32	0.48	UW-511M-2
12 mm	31/32	3/4	3-15/64	0.46	UW-512M-2
13 mm	63/64	51/64	3-15/64	0.47	UW-513M-2
14 mm	63/64	27/32	3-15/64	0.44	UW-514M-2
15 mm	63/64	29/32	3-7/32	0.44	UW-515M-2
16 mm	63/64	63/64	3-15/64	0.43	UW-516M-2
17 mm	1-1/32	1-1/32	3-7/32	0.47	UW-517M-2
18 mm	1-1/16	1-1/16	3-7/32	0.51	UW-518M-2
19 mm	1-7/64	1-7/64	3-7/32	0.54	UW-519M-2
20 mm	1-3/16	1-3/16	3-7/32	0.62	UW-520M-2
21 mm	1-3/16	1-3/16	3-7/32	0.60	UW-521M-2
22 mm	1-17/64	1-17/64	3-7/32	0.71	UW-522M-2
24 mm	1-11/32	1-11/32	3-7/32	0.76	UW-524M-2
26 mm	1-27/64	1-27/64	3-15/64	0.87	UW-526M-2
27 mm	1-1/2	1-1/2	3-15/64	0.93	UW-527M-2



1/2" DRIVE HEX BIT IMPACT SOCKETS

- Non-slip surface treatment. Laser etch & stamped markings provide readability and permanence.



Size (in)	Overall Length (in)	Weight (lbs)	Item No.
1/4	2-11/64	0.19	UH-1204
5/16	2-5/32	0.21	UH-1206
3/8	2-11/64	0.20	UH-1208
7/16	2-11/64	0.22	UH-1210
1/2	2-11/64	0.24	UH-1212
9/16	2-11/64	0.25	UH-1214
5/8	2-11/64	0.28	UH-1216
3/4	2-11/64	0.32	UH-1218

1/2" DRIVE METRIC HEX BIT IMPACT SOCKETS

- Non-slip surface treatment. Laser etch & stamped markings provide readability and permanence.



Size (mm)	Overall Length (in)	Weight (lbs)	Item No.
6 mm	2-5/32	0.17	UH-1206M
7 mm	2-11/64	0.18	UH-1207M
8 mm	2-11/64	0.19	UH-1208M
10 mm	2-11/64	0.21	UH-1210M
12 mm	2-11/64	0.23	UH-1212M
14 mm	2-11/64	0.25	UH-1214M
17 mm	2-11/64	0.29	UH-1217M
19 mm	2-5/32	0.32	UH-1219M

1/2" DRIVE INTERNAL TORX® IMPACT SOCKETS

- Non-slip surface treatment. Laser etch & stamped markings provide readability and permanence.



Size Torx	Overall Length (in)	Weight (lbs)	Item No.
T60	2-11/64	0.23	TS-1460-2

1/2" DRIVE EXTERNAL TORX® IMPACT SOCKETS

- Non-slip surface treatment. Laser etch & stamped markings provide readability and permanence.



Size Torx	Overall Length (in)	Weight (lbs)	Item No.
E18	1-33/64	0.17	TS-2418-2

1/2" DRIVE IMPACT SOCKETS



1/2" DRIVE AXLE NUT SOCKETS

- Non-slip surface treatment. Laser etch & stamped markings provide readability and permanence.



Size (mm)	Drive End Diameter (in)	Working End Diameter (in)	Overall Length (in)	Weight (lbs)	Item No.
30mm	1-11/16	1-11/16	3-33/64	1.17	UWP-430M-2
36 mm	2-1/16	2-1/16	3-1/2	1.61	UWP-436M-2

1/2" DRIVE IMPACT EXTENSIONS

- Non slip surface, black oxide impact socket extension.



Overall Length (in)	Weight (lbs)	Item No.
3	0.54	UW-30-2
5	0.71	UW-24-2
10	0.98	UW-25-2

1/2" DRIVE IMPACT UNIVERSAL JOINT

- Non slip surface, black oxide universal impact socket.



Drive End Diameter (in)	Overall Length (in)	Weight (lbs)	Item No.
1-1/4	2-1/2	0.48	49976-2

1/2" DRIVE DOUBLE END IMPACT SOCKET

- Non-slip surface treatment. Laser etch & stamped markings provide readability and permanence.



Size (in)	Drive End Diameter (in)	Working End Diameter (in)	Overall Length (in)	Weight (lbs)	Item No.
3/4 x 13/16	1-1/4	1-1/4	2-63/64	0.45	UW-1500-2



1/2" DRIVE WHEEL LUG IMPACT SOCKET KIT

- Non-slip surface treatment. Laser etch & stamped markings provide readability and permanence.



Size (in)	Overall Length (in)	Weight (lbs)	Item No.
3/4 x 13/16	5-1/4	0.99	UW-1505-2

6 PIECE 3/4" DRIVE HEX BIT IMPACT SOCKET SET

Item #: UH-3406S



Contents	Size (in)	Overall Length (in)
UH-3412	1/2	3-17/64
UH-3418	3/4	3-9/32
UH-3422	7/8	3-9/32
UH-3426	1	3-17/64
UH-3430	1-1/8	3-15/32
UH-3434	1-1/4	3-15/32

6 PIECE 3/4" DRIVE HEX BIT METRIC IMPACT SOCKET SET

Item #: UH-3406MS



Contents	Size (mm)	Overall Length (in)
UH-3412M	12 mm	3-1/2
UH-3414M	14 mm	3-1/2
UH-3417M	17 mm	3-1/2
UH-3419M	19mm	3-17/64
UH-3422M	22 mm	3-17/64
UH-3424M	24 mm	3-17/64

3/4" DRIVE HEX BIT IMPACT SOCKET SETS



WARNING: WORK SAFELY WITH TOOLS, WEAR SAFETY GOGGLES



14 PIECE 3/4" DRIVE IMPACT SOCKET SET - 6 POINT

Item #: UW-2414S



Contents	Size (in)	Overall Length (in)
UW-2424-2	3/4	1-31/32
UW-2426-2	13/16	2-1/64
UW-2428-2	7/8	2-1/16
UW-2430-2	15/16	2-1/16
UW-2432-2	1	2-1/16
UW-2434-2	1-1/16	2-1/16
UW-2436-2	1-1/8	2-3/64
UW-2438-2	1-3/16	2-3/64
UW-2440-2	1-1/4	2-3/64
UW-2442-2	1-5/16	2-13/64
UW-2444-2	1-3/8	2-7/32
UW-2446-2	1-7/16	2-13/64
UW-2448-2	1-1/2	2-11/64
UW-2452-2	1-5/8	2-29/64

14 PIECE 3/4" DRIVE DEEP IMPACT SOCKET SET - 6 POINT

Item #: UW-2614DS



Contents	Size (in)	Overall Length (in)
UW-2624-2	3/4	3-11/32
UW-2626-2	13/16	3-23/64
UW-2628-2	7/8	3-11/32
UW-2630-2	15/16	3-23/64
UW-2632-2	1	3-11/32
UW-2634-2	1-1/16	3-23/64
UW-2636-2	1-1/8	3-23/64
UW-2638-2	1-3/16	3-11/32
UW-2640-2	1-1/4	3-11/32
UW-2642-2	1-5/16	3-23/64
UW-2644-2	1-3/8	3-23/64
UW-2646-2	1-7/16	3-11/32
UW-2648-2	1-1/2	3-23/64
UW-2652-2	1-5/8	3-23/64

IMPACT SOCKETS

3/4" DRIVE IMPACT SOCKET SETS



3/4" DRIVE IMPACT SOCKETS - 6 POINT

• Non-slip surface treatment. Laser etch & stamped markings provide readability and permanence.



Size (in)	Drive End Diameter (in)	Working End Diameter (in)	Overall Length (in)	Weight (lbs)	Item No.
3/4	1-1/2	1-3/16	1-31/32	0.50	UW-2424-2
13/16	1-1/2	1-17/64	2-1/64	0.53	UW-2426-2
7/8	1-1/2	1-11/32	2-1/16	0.54	UW-2428-2
15/16	1-33/64	1-27/64	2-1/16	0.55	UW-2430-2
1	1-19/32	1-19/32	2-1/16	0.68	UW-2432-2
1-1/16	1-19/32	1-19/32	2-1/16	0.66	UW-2434-2
1-1/8	1-21/32	1-21/32	2-3/64	0.73	UW-2436-2
1-3/16	1-47/64	1-47/64	2-3/64	0.84	UW-2438-2
1-1/4	1-47/64	1-13/16	2-3/64	0.88	UW-2440-2
1-5/16	1-3/4	1-27/32	2-13/64	0.88	UW-2442-2
1-3/8	1-47/64	1-63/64	2-7/32	1.04	UW-2444-2
1-7/16	1-47/64	2-1/64	2-13/64	1.03	UW-2446-2
1-1/2	1-47/64	2-3/32	2-11/64	1.08	UW-2448-2
1-5/8	1-47/64	2-19/64	2-29/64	1.34	UW-2452-2

3/4" DRIVE DEEP IMPACT SOCKETS - 6 POINT

• Non-slip surface treatment. Laser etch & stamped markings provide readability and permanence.



Size (in)	Drive End Diameter (in)	Working End Diameter (in)	Overall Length (in)	Weight (lbs)	Item No.
3/4	1-1/2	1-3/16	3-11/32	0.81	UW-2624-2
13/16	1-1/2	1-17/64	3-23/64	0.83	UW-2626-2
7/8	1-1/2	1-11/32	3-11/32	0.88	UW-2628-2
15/16	1-33/64	1-27/64	3-23/64	0.91	UW-2630-2
1	1-37/64	1-37/64	3-11/32	1.11	UW-2632-2
1-1/16	1-21/32	1-37/64	3-23/64	1.03	UW-2634-2
1-1/8	1-47/64	1-21/32	3-23/64	1.13	UW-2636-2
1-3/16	1-47/64	1-47/64	3-11/32	1.26	UW-2638-2
1-1/4	1-47/64	1-13/16	3-11/32	1.34	UW-2640-2
1-5/16	1-47/64	1-55/64	3-23/64	1.35	UW-2642-2
1-3/8	1-47/64	1-63/64	3-23/64	1.47	UW-2644-2
1-7/16	1-47/64	2-1/64	3-11/32	1.46	UW-2646-2
1-1/2	1-47/64	2-3/32	3-23/64	1.56	UW-2648-2
1-5/8	1-47/64	2-19/64	3-23/64	1.80	UW-2652-2

3/4" DRIVE IMPACT SOCKETS



WARNING: WORK SAFELY WITH TOOLS, WEAR SAFETY GOGGLES



BUDD WHEEL SOCKETS

- Non-slip surface treatment. Laser etch & stamped markings provide readability and permanence.



Size (in)	Drive End Diameter (in)	Working End Diameter (in)	Overall Length (in)	Weight (lbs)	Item No.
1-1/2 x 13/16	2-5/16	2-5/16	3-3/4	2.96	UWP-660-2
13/16	2-3/16	2-3/8	3-55/64	2.92	UWP-1460-2

3/4" DRIVE HEX BIT IMPACT SOCKETS

- Non-slip surface treatment. Laser etch & stamped markings provide readability and permanence.



Size (in)	Overall Length (in)	Weight (lbs)	Item No.
1/2	3-17/64	0.88	UH-3412
3/4	3-9/32	1.06	UH-3418
7/8	3-9/32	1.16	UH-3422
1	3-17/64	1.26	UH-3426
1-1/8	3-15/32	1.40	UH-3430
1-1/4	3-15/32	1.56	UH-3434

3/4" DRIVE METRIC HEX BIT IMPACT SOCKETS

- Non-slip surface treatment. Laser etch & stamped markings provide readability and permanence.



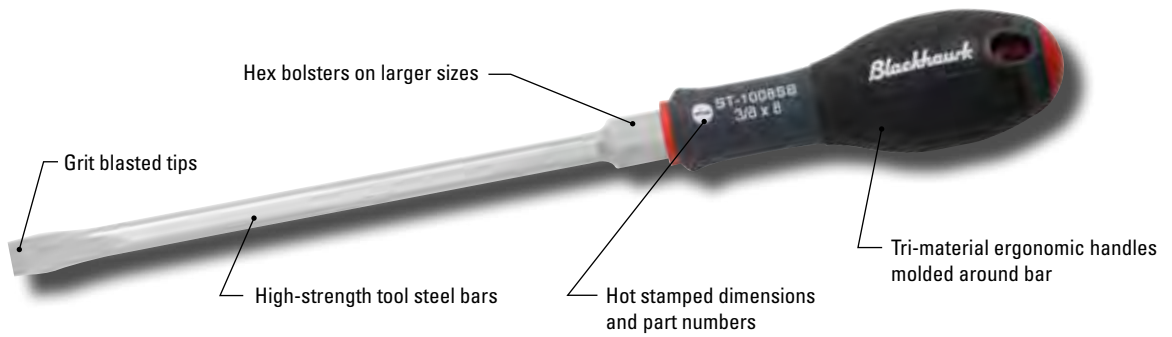
Size (mm)	Overall Length (in)	Weight (lbs)	Item No.
12 mm	3-1/2	0.86	UH-3412M
14mm	3-1/2	0.91	UH-3414M
17 mm	3-1/2	1.00	UH-3417M
19 mm	3-17/64	1.05	UH-3419M
22 mm	3-17/64	1.15	UH-3422M
24 mm	3-17/64	1.22	UH-3424M



SCREWDRIVERS, NUTDRIVERS, HEX KEYS & BITS

Introducing an entirely new range of screwdrivers and power bits. Featuring tri-material handles and wrench bolsters on the larger sizes, the Blackhawk™ by Proto® screwdriver line now includes more sizes and fastener types than ever before, including a seven bit ratcheting screwdriver with straight and pistol grips. Screwdriver tips feature grit blasted contact points to reduce chrome peel and provide tighter contact with the fastener head. Our power insert bits now come in convenient sets for bulk and job specific use.





22 PIECE COMBINATION SCREWDRIVER SET

Item #: ST-22CS

• Weight (lbs): 4.36



Contents	Tip Size	Shank Length (in)	Overall Length (in)
ST-1008SB	3/8	8	12-1/2
ST-12010SB	1/2	10	14-1/2
ST-252C	3/32	1-59/64	5-13/16
ST-303S	1/8	2-7/8	6-3/4
ST-353C	9/64	3	7
ST-404S	5/32	3-31/64	7-7/8
ST-555C	3/16	4-7/8	6
ST-555S	7/32	5	9-1/8
ST-655S	1/4	4-57/64	9-1/2
ST-656C	1/4	6	10-1/2
ST-656SB	1/4	6	10-1/2
ST-65SH	1/4	1-1/4	3-1/2
ST-807S	5/16	6-61/64	11-1/2
ST-PH00-2	#00	1-15/16	5-13/16
ST-PH0-3	#0	2-15/16	7
ST-PH1-4	#1	7-59/64	8
ST-PH1-SH	#1	1-1/8	3-1/2
ST-PH2-5	#2	4-57/64	9
ST-PH2-5B	#2	5	9
ST-PH2-SH	#2	1-9/64	3-1/2
ST-PH3-6B	#3	6	10-1/2
ST-PH4-8B	#4	8	12-1/2

9 PIECE COMBINATION SCREWDRIVER SET

Item #: ST-9CS

• Weight (lbs): 2.86



Contents	Tip Size	Shank Length (in)	Overall Length (in)
ST-1008SB	3/8	8	12-1/2
ST-12010SB	1/2	10	14-1/2
ST-353C	9/64	3	7
ST-555S	7/32	5	9-1/8
ST-656C	1/4	6	10-1/2
ST-656SB	1/4	6	10-1/2
ST-PH2-5B	#2	5	9
ST-PH3-6B	#3	6	10-1/2
ST-PH4-8B	#4	8	12-1/2



9 PIECE SLOTTED SCREWDRIVER SET

Item #: ST-9S

• Weight (lbs): 2.26



Contents	Tip Size	Shank Length (in)	Overall Length (in)
ST-1008SB	3/8	8	12-1/2
ST-12010SB	1/2	10	14-1/2
ST-303S	1/8	2-7/8	6-3/4
ST-404S	5/32	3-31/64	7-7/8
ST-555S	7/32	5	9-1/8
ST-655S	1/4	4-57/64	9-1/2
ST-656SB	1/4	6	10-1/2
ST-65SH	1/4	1-1/4	3-1/2
ST-807S	5/16	6-61/64	11-1/2

9 PIECE PHILLIPS® SCREWDRIVER SET

Item #: ST-9PH

• Weight (lbs): 1.67



Contents	Tip Size	Shank Length (in)	Overall Length (in)
ST-PH00-2	#00	1-15/16	5-13/16
ST-PH0-3	#0	2-15/16	7
ST-PH1-4	#1	7-59/64	8
ST-PH1-SH	#1	1-1/8	3-1/2
ST-PH2-5	#2	4-57/64	9
ST-PH2-5B	#2	5	9
ST-PH2-SH	#2	1-9/64	3-1/2
ST-PH3-6B	#3	6	10-1/2
ST-PH4-8B	#4	8	12-1/2

5 PIECE CABINET TIP SCREWDRIVER SET

Item #: ST-5C

• Weight (lbs): 0.52



Contents	Tip Size	Shank Length (in)	Overall Length (in)
ST-252C	3/32	1-59/64	5-13/16
ST-353C	9/64	3	7
ST-555C	3/16	4-7/8	6
ST-656C	1/4	6	10-1/2
ST-65SH	1/4	1-1/4	3-1/2

6 PIECE POZIDRIV® SET

Item #: ST-6PZ

• Weight (lbs): 1.47



Contents	Tip Size	Shank Length (in)	Overall Length (in)
ST-PZ0-3	PZ0	2-57/64	6-7/8
ST-PZ1-4	PZ1	3-53/64	8
ST-PZ2-5	PZ2	4-57/64	9
ST-PZ2-5B	PZ2	4-31/32	9-1/8
ST-PZ3-6B	PZ3	5-29/32	10-1/2
ST-PZ4-8B	PZ4	7-13/16	12-3/8



11 PIECE TORX® SCREWDRIVER SET

Item #: ST-11T

• Weight (lbs): 1.22



Contents	Tip Size	Shank Length (in)	Overall Length (in)
ST-T10-3	T10	2-7/8	7
ST-T15-3	T15	2-59/64	7
ST-T20-4	T20	3-7/8	7-13/16
ST-T25-4	T25	3-55/64	8
ST-T27-4	T27	3-57/64	8
ST-T30-5	T30	4-57/64	9-1/2
ST-T40-5	T40	4-29/32	9-1/2
ST-T6-2	T6	1-15/16	5-13/16
ST-T7-2	T7	1-61/64	5-13/16
ST-T8-2	T8	1-29/32	5-13/16
ST-T9-3	T9	2-59/64	6-1/2

7 PIECE TAMPER RESISTANT TORX® SCREWDRIVER SET

Item #: ST-7TT

• Weight (lbs): 1.06



Contents	Tip Size	Shank Length (in)	Overall Length (in)
ST-TT10-3	TT10	2-57/64	7
ST-TT15-3	TT15	2-59/64	7
ST-TT20-4	TT20	3-7/8	8
ST-TT25-4	TT25	3-57/64	8
ST-TT27-4	TT27	3-29/32	8
ST-TT30-5	TT30	4-57/64	9-1/2
ST-TT40-5	TT40	4-3/32	9-1/2

SLOTTED SCREWDRIVERS



Tips	Tip Size	Tip Width (in)	Shank Length (in)	Overall Length (in)	Weight (lbs)	Item No.
Slotted	1/8	1/8	2-7/8	6-3/4	0.04	ST-303S
Slotted	5/32	5/32	3-31/64	7-7/8	0.09	ST-404S
Slotted	7/32	7/32	5	9-1/8	0.15	ST-555S
Slotted	1/4	1/4	4-57/64	9-1/2	0.23	ST-655S
Slotted	5/16	5/16	6-61/64	11-1/2	0.35	ST-807S
Slotted*	1/4	1/4	6	10-1/2	0.26	ST-656SB
Slotted*	3/8	3/8	8	12-1/2	0.46	ST-1008SB
Slotted*	1/2	1/2	10	14-1/2	0.59	ST-12010SB

ASME B107.600

*Feature Hex Bolsters

SLOTTED - CABINET TIP SCREWDRIVERS



Tips	Tip Size	Tip Width (in)	Shank Length (in)	Overall Length (in)	Weight (lbs)	Item No.
Cabinet	3/32	3/32	1-59/64	5-13/16	0.04	ST-252C
Cabinet	9/64	9/64	3	7	0.07	ST-353C
Cabinet	3/16	3/16	4-7/8	6	0.16	ST-555C
Cabinet	1/4	1/4	6	10-1/2	0.26	ST-656C

ASME B107.600

Blackhawk
BY PROTO

Blackhawk™ by Proto® not available in all countries.

SCREWDRIVERS & BITS

SCREWDRIVERS



PHILLIPS® SCREWDRIVERS



Tips	Tip Size	Tip Width (in)	Shank Length (in)	Overall Length (in)	Weight (lbs)	Item No.
Phillips®	#00	3/32	1-15/16	5-13/16	0.04	ST-PH00-2
Phillips®	#0	9/64	2-15/16	7	0.09	ST-PH0-3
Phillips®	#1	5/32	7-59/64	8	0.13	ST-PH1-4
Phillips®	#2	13/64	4-57/64	9	0.17	ST-PH2-5
Phillips®*	#2	13/64	5	9	0.19	ST-PH2-5B
Phillips®*	#3	1/4	6	10-1/2	0.35	ST-PH3-6B
Phillips®*	#4	21/64	8	12-1/2	0.53	ST-PH4-8B

ASME B107.600

*Feature Hex Bolsters

POZIDRIV® SCREWDRIVERS



Tips	Tip Size	Tip Width (in)	Shank Length (in)	Overall Length (in)	Weight (lbs)	Item No.
Pozidriv®	PZ0	1/8	2-57/64	6-7/8	0.09	ST-PZ0-3
Pozidriv®	PZ1	9/64	3-53/64	8	0.13	ST-PZ1-4
Pozidriv®	PZ2	3/16	4-57/64	9	0.17	ST-PZ2-5
Pozidriv®*	PZ2	3/16	4-31/32	9-1/8	0.19	ST-PZ2-5B
Pozidriv®*	PZ3	1/4	5-29/32	10-1/2	0.36	ST-PZ3-6B
Pozidriv®*	PZ4	21/64	7-13/16	12-3/8	0.53	ST-PZ4-8B

ASME B107.600

*Feature Hex Bolsters

TORX® SCREWDRIVERS



Tips	Tip Size	Tip Width (in)	Shank Length (in)	Overall Length (in)	Weight (lbs)	Item No.
Torx®	T6	1/16	1-15/16	5-13/16	0.04	ST-T6-2
Torx®	T7	5/64	1-61/64	5-13/16	0.04	ST-T7-2
Torx®	T8	5/64	1-29/32	5-13/16	0.04	ST-T8-2
Torx®	T9	5/64	2-59/64	6-1/2	0.04	ST-T9-3
Torx®	T10	3/32	2-7/8	7	0.07	ST-T10-3
Torx®	T15	7/64	2-59/64	7	0.07	ST-T15-3
Torx®	T20	9/64	3-7/8	7-13/16	0.09	ST-T20-4
Torx®	T25	5/32	3-55/64	8	0.14	ST-T25-4
Torx®	T27	11/64	3-57/64	8	0.15	ST-T27-4
Torx®	T30	3/16	4-57/64	9-1/2	0.24	ST-T30-5
Torx®	T40	15/64	4-29/32	9-1/2	0.28	ST-T40-5

ASME B107.600

TAMPER RESISTANT TORX® SCREWDRIVERS



Tips	Tip Size	Tip Width (in)	Shank Length (in)	Overall Length (in)	Weight (lbs)	Item No.
Tamper Torx®	TT10	3/32	2-57/64	7	0.07	ST-TT10-3
Tamper Torx®	TT15	7/64	2-59/64	7	0.08	ST-TT15-3
Tamper Torx®	TT20	9/64	3-7/8	8	0.1	ST-TT20-4
Tamper Torx®	TT25	5/32	3-57/64	8	0.14	ST-TT25-4
Tamper Torx®	TT27	11/64	3-29/32	8	0.15	ST-TT27-4
Tamper Torx®	TT30	3/16	4-57/64	9-1/2	0.25	ST-TT30-5
Tamper Torx®	TT40	15/64	4-3/32	9-1/2	0.28	ST-TT40-5

ASME B107.600

Phillips® is trademark of Phillips Screw Company
 Pozidriv® is trademark of Phillips Screw Company
 Torx® is a trademark of Acument Intellectual Properties, LLC.

1-800-800-TOOL • FAX: 1-770-648-9108 • WWW.STANLEYPROTO.COM



WARNING: WORK SAFELY WITH TOOLS, WEAR SAFETY GOGGLES



STUBBY SCREWDRIVERS



Tips	Tip Size	Tip Width (in)	Shank Length (in)	Overall Length (in)	Weight (lbs)	Item No.
Slotted	1/4	1/4	1-1/4	3-1/2	0.09	ST-65SH
Phillips®	#1	5/32	1-1/8	3-1/2	0.08	ST-PH1-SH
Phillips®	#2	3/16	1-9/64	3-1/2	0.09	ST-PH2-SH

ASME B107.600

1/4" DRIVE SOCKET SPINNER



Tips	Tip Width (in)	Shank Length (in)	Overall Length (in)	Weight (lbs)	Item No.
Ball Lock	1/4	1-31/32	6-1/8	0.15	ST-SS1

BIT DRIVER

- Accepts 1/4" standard bits



Tips	Tip Width (in)	Shank Length (in)	Overall Length (in)	Weight (lbs)	Item No.
	25/64	4-59/64	9	0.22	ST-BD1

OFFSET SCREWDRIVERS



Tips	Tip Size	Tip Width (in)	Shank Length (in)	Overall Length (in)	Weight (lbs)	Item No.
Slotted	0.038	15/64	2-37/64	2-61/64	0.03	ST-1183
Slotted	0.046	5/16	3-45/64	3-57/64	0.04	ST-1184
Slotted	0.049	13/32	4-3/32	4-5/8	0.08	ST-1185

SCREW STARTERS



Tips	Tip Width (in)	Overall Length (in)	Weight (lbs)	Item No.
Slotted	9/32	2-1/2	0.02	ST-1166
Slotted	9/32	5-1/2	0.04	ST-1167
Slotted	9/32	9-1/2	0.06	ST-1168
Phillips®	9/32	5-3/4	0.04	ST-1171



8 PIECE STANDARD NUTDRIVER INCH SET - 6 POINT

Item #: **ST-828**

• Weight (lbs): 2.0



Contents	Size (in)	Shank Length (in)	Overall Length (in)
ST-800	3/16	3-11/64	7-3/8
ST-801	9/32	3-13/64	7-3/8
ST-803	1/4	3-3/16	7-3/8
ST-806	5/16	3-5/32	7-3/8
ST-809	11/32	3-3/16	7-3/8
ST-812	3/8	3-13/64	7-3/8
ST-815	7/16	3-5/32	7-3/8
ST-818	1/2	3-11/64	7-3/8

9 PIECE METRIC NUTDRIVER SET - 6 POINT

Item #: **ST-829M**

• Weight (lbs): 2.22



Contents	Size (mm)	Shank Length (in)	Overall Length (in)
ST-904M	4 mm	3-5/32	7-3/8
ST-905M	5 mm	3-9/64	7-3/8
ST-955M	5.5 mm	3-9/64	7-3/8
ST-907M	7 mm	3-11/64	7-3/8
ST-908M	8 mm	3-11/64	7-3/8
ST-909M	9 mm	3-5/32	7-3/8
ST-910M	10 mm	3-3/16	7-3/8
ST-911M	11 mm	3-5/32	7-3/8
ST-912M	12 mm	3-5/32	7-3/8

STANDARD NUTDRIVERS

• Solid shaft



Size (in)	Working End Diameter (in)	Overall Length (in)	Weight (lbs)	Item No.
3/16	11/32	7-3/8	0.26	ST-800
9/32	27/64	7-3/8	0.25	ST-801
1/4	25/64	7-3/8	0.25	ST-803
5/16	15/32	7-3/8	0.26	ST-806
11/32	1/2	7-3/8	0.26	ST-809
3/8	17/32	7-3/8	0.31	ST-812
7/16	19/32	7-3/8	0.31	ST-815
1/2	43/64	7-3/8	0.31	ST-818

ASME B107.12

METRIC NUTDRIVERS

• Solid shaft



Size (mm)	Working End Diameter (in)	Overall Length (in)	Weight (lbs)	Item No.
4 mm	5/16	7-3/8	0.25	ST-904M
5 mm	11/32	7-3/8	0.25	ST-905M
5.5 mm	11/32	7-3/8	0.24	ST-955M
7 mm	27/64	7-3/8	0.25	ST-907M
8 mm	15/32	7-3/8	0.26	ST-908M
9 mm	1/2	7-3/8	0.25	ST-909M
10 mm	35/64	7-3/8	0.3	ST-910M
11 mm	19/32	7-3/8	0.31	ST-911M
12 mm	5/8	7-3/8	0.31	ST-912M

NUTDRIVERS



13 PIECE STANDARD HEX WRENCH SET

Item #: ZW-53

• Weight (lbs): 0.62



Size (in)	Short Arm (in)	Long Arm (in)
.050	0.5	1.6
1/16	0.6	1.7
5/64	0.6	1.8
3/32	0.6	2.0
7/64	0.7	2.1
1/8	0.7	2.2
9/64	0.8	2.4
5/32	0.8	2.5
3/16	0.9	2.7
7/32	1.0	2.9
1/4	1.1	3.2
5/16	1.2	3.6
3/8	1.3	4.1

13 PIECE STANDARD LONG HEX KEY WRENCH SET

Item #: ZW-59

• Weight (lbs): 0.86



Size (in)	Short Arm (in)	Long Arm (in)
.050	0.6	2.8
1/16	0.6	3.0
5/64	0.6	3.0
3/32	0.7	3.4
7/64	0.7	3.5
1/8	0.7	3.7
9/64	0.8	3.9
5/32	0.8	4.1
3/16	0.9	4.5
7/32	1.0	4.8
1/4	1.1	5.2
5/16	1.2	5.8
3/8	1.4	6.6

9 PIECE METRIC HEX KEY WRENCH SET

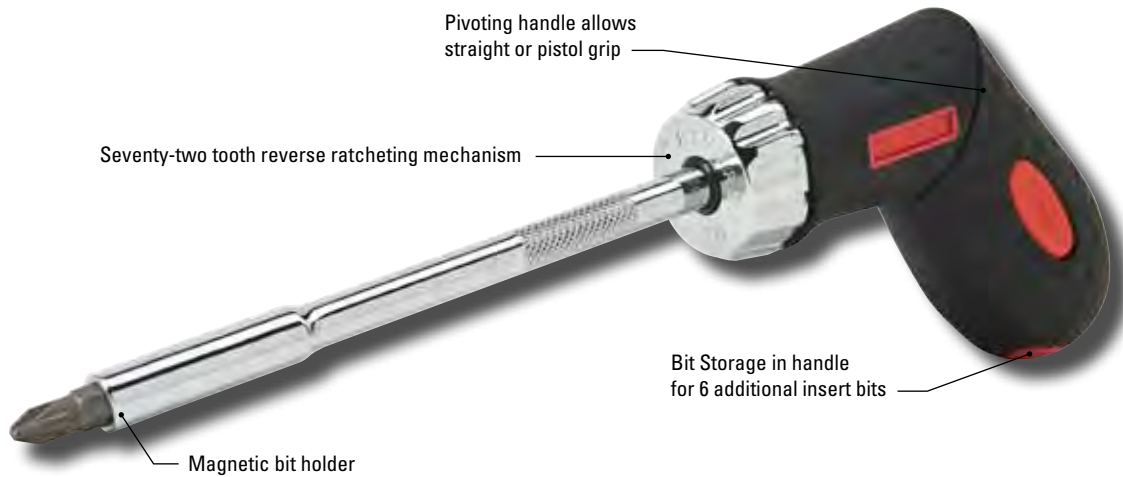
Item #: ZW-69

• Weight (lbs): 0.53



Size (mm)	Short Arm (mm)	Long Arm (mm)
1.5	13.1	43.1
2.0	14.8	47.8
2.5	17.1	53.1
3.0	18.5	60.8
4.0	23.4	66.6
5.0	27.3	76.2
6.0	30.9	87.0
8.0	34.5	95.9
10.0	37.5	105.4





MULTI-BIT RATCHETING SCREWDRIVER

Item #: 9000R-2

- 72 tooth reverse ratcheting mechanism. Magnetic bit holder. Pivoting handle allows straight or pistol grip. Bit storage in handle for 6 additional insert bits (included).
- Bits Included: PH1, PH2, PZ1, PZ2, 5/32, 7/32, 1/4

Shank Length (in)	Overall Length (in)	Weight (lbs)
5-1/32	9	0.78



360 PIECE INSERT BIT SET

Item #: BI-360S

- Bulk Insert bit set providing the most popular sizes in high quantities.
- Weight (lbs): 5.09



Contents	Piece Count
PH1~3	60
PZ1~3	60
Hex 4, 5, 6	60
FD4, 5.5, 6.5	60
Torx® 10, 15, 20, 25, 30, 40	120

180 PIECE INSERT BIT SET

Item #: BI-180S

- Bulk Insert bit set providing the most popular sizes in high quantities.
- Weight (lbs): 3.08



Contents	Piece Count
PH1~3	30
PZ1~3	30
Hex 4, 5, 6	30
FD4, 5.5, 6.5	30
Torx® 10, 15, 20, 25, 30, 40	60



6 PIECE MAGNETIC NUTSETTER SET - SAE

Item #: BI-NS6

- Magnetic fractional nutsetter containing sizes 5/16 through 3/8.
- Weight (lbs): 0.67



Contents	Piece Count
5/16, 1/2, 1/4, 7/16, 7/32, 3/8	6

6 PIECE MAGNETIC NUTSETTER SET - METRIC

Item #: BI-NS6M

- Magnetic metric nutsetter containing sizes 5.5 through 13mm.
- Weight (lbs): 0.70



Contents	Piece Count
5.5, 6, 8, 10, 12, 13	6

101 PIECE INSERT BIT SET

Item #: BI-101S

- Bulk Insert bit set providing the most popular sizes in high quantities.
- Weight (lbs): 2.38



Contents	Piece Count
PH0~4	5
Slotted 1/8, 5/32, 3/16, 7/32, 1/4, 9/32	6
Clutch 5/32, 3/16, 1/4	3
PZ 0~4	5
Sit 10~40	6
Spline 5, 6, 8	3
TX6, 8, 10, 15, 20, 25, 27, 30, 40, 45	10
RB0~3	4
TT6, 8, 10, 15, 20, 25, 27, 30, 40, 45	10
Spanner 4, 6, 8, 10	4
Hex 1.5, 2, 2.5, 3, 4, 5, 6	7
HT 1.5, 2, 2.5, 3, 4, 5, 6	7
Torx® Plus 10, 15, 20, 25, 27, 30, 40	7
Torx® Plus Tamper 10, 15, 20, 25, 27, 30, 40	7
T-tap 10, 15, 20, 25, 30	5
Tri-wing 1, 2, 3, 4, 5	5
Torq-Set 4, 6, 8, 10	4
Quick-Release Socket 1/4 x 1/4 x 30mm	1
Quick-Release Bit Holder 1/4 x 51mm	1
Magnetic Bit Holder 1/4 x 75mm	1



10 PIECE INSERT BIT SET

Item #: BI-10SS

- Portable bit set with plastic carrier.
- Weight (lbs): 0.27



Contents	Piece Count
PH1~3	30
PZ1~3	30
Slotted 4, 5.5, 6.5	30
Quick-Release Bit Holder 1/4 x 51mm	1

25 PIECE BELT CLIP BIT SET

Item #: BI-25S

- Portable bit set with plastic carrier and belt clip.
- Weight (lbs): 0.44



Contents	Piece Count
PH1~3	3
PZ1~3 3	3
RB1~3	3
Slotted 4.5, 5.5, 6.5	3
Torx® 10, 15, 20, 25, 30, 40	6
Hex 1.5, 2, 2.5, 3, 4, 5, 6	7

11 PIECE TORX® BIT SET

Item #: BI-11TS

- Portable bit set with plastic carrier.
- Weight (lbs): 0.31



Contents	Piece Count
Torx® Plus 8, 9, 10, 15, 20, 25, 27, 30, 40	9
Magnetic Bit Socket 1/4 x 1/4 x 25mm	1
Quick-Release Bit Holder 1/4 x 51mm	1

31 PIECE INSERT BIT SET

Item #: BI-31S

- Portable bit set with plastic carrier and belt clip.
- Weight (lbs): 0.57



Contents	Piece Count
PH1~3	3
PZ1~3 3	3
Torx® 6, 8, 10, 15, 20, 25, 27, 30, 40	9
Slotted 3.5, 4.5, 5, 5.5, 6.5, 8	6
Hex 2, 3, 4, 5, 6, 8	6
RB1~3	3
Quick-Release Bit Holder 1/4 x 60mm	1



40 PIECE INSERT BIT SET

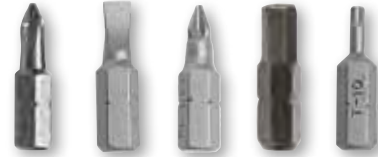
Item #: 940-JS

• Weight (lbs): 2.0



Contents	Description
9000-A	Adapter Socket
900-20	# 0 Point Phillips®
900-21	# 1 Point Phillips®
900-22	# 2 Point Phillips®
900-23	# 3 Point Phillips®
900-51	Phillips® ARC, #1
900-52	Phillips® ARC, #2
900-53	Phillips® ARC, #3
900-0	Slotted 7/64"
900-5	Slotted 7/32"
900-1	Slotted 1/8"
900-2	Slotted 9/64"
900-8	Slotted 5/16"
900-3	Slotted 5/32"
900-4	Slotted 3/16"
900-6	Slotted 1/4"
900-7	Slotted 9/32"
900-30	Square Head, #0
900-31	Square Head, #1
900-32	Square Head, #2
900-33	Square Head, #3
900-40	Reed Prince #0 (Pozi)
900-41	Reed Prince #1 (Pozi)
900-42	Reed Prince #2 (Pozi)
900-43	Reed Prince #3 (Pozi)
900-60	Hex Bit, 5/64"
900-61	Hex Bit, 1/8"
900-62	Hex Bit, 5/32"
900-63	Hex Bit, 3/16"
900-64	Hex Bit, 1/4"
9000-T6	Torx® Bit T6
9000-T7	Torx® Bit T7
9000-T8	Torx® Bit T8
9000-T10	Torx® Bit T10
9000-T15	Torx® Bit T15
9000-T20	Torx® Bit T20
9000-T25	Torx® Bit T25
9000-T27	Torx® Bit T27
9000-T30	Torx® Bit T30
9000-T40	Torx® Bit T40

INSERT BITS



Description	Weight (lbs)	Item No.
Adapter Socket	0.01	9000-A
# 0 Point Phillips®	0.01	900-20
# 1 Point Phillips®	0.01	900-21
# 2 Point Phillips®	0.01	900-22
# 3 Point Phillips®	0.01	900-23
Phillips® ARC, #1	0.01	900-51
Phillips® ARC, #2	0.01	900-52
Phillips® ARC, #3	0.01	900-53
Slotted 7/64"	0.01	900-0
Slotted 7/32"	0.01	900-5
Slotted 1/8"	0.01	900-1
Slotted 9/64"	0.01	900-2
Slotted 5/16"	0.01	900-8
Slotted 5/32"	0.01	900-3
Slotted 3/16"	0.01	900-4
Slotted 1/4"	0.01	900-6
Slotted 9/32"	0.01	900-7
Square Head, #0	0.01	900-30
Square Head, #1	0.01	900-31
Square Head, #2	0.01	900-32
Square Head, #3	0.01	900-33
Reed Prince #0 (Pozi)	0.01	900-40
Reed Prince #1 (Pozi)	0.01	900-41
Reed Prince #2 (Pozi)	0.01	900-42
Reed Prince #3 (Pozi)	0.01	900-43
Tamper Resistant T10	0.01	9000-TP10
Tamper Resistant T15	0.01	9000-TP15
Tamper Resistant T20	0.01	9000-TP20
Tamper Resistant T25	0.01	9000-TP25
Tamper Resistant T27	0.01	9000-TP27
Hex Bit, 5/64"	0.01	900-60
Hex Bit, 1/8"	0.01	900-61
Hex Bit, 5/32"	0.01	900-62
Hex Bit, 3/16"	0.01	900-63
Hex Bit, 1/4"	0.01	900-64
Torx® Bit T6	0.01	9000-T6
Torx® Bit T7	0.01	9000-T7
Torx® Bit T8	0.01	9000-T8
Torx® Bit T10	0.01	9000-T10
Torx® Bit T15	0.01	9000-T15
Torx® Bit T20	0.01	9000-T20
Torx® Bit T25	0.01	9000-T25
Torx® Bit T27	0.01	9000-T27
Torx® Bit T30	0.01	9000-T30
Torx® Bit T40	0.01	9000-T40
3/8" Hex Bit Holder	0.01	9000HB

Blackhawk
BY PROTO

Phillips® is trademark of Phillips Screw Company
Torx® is a trademark of Acument Intellectual Properties, LLC.

Blackhawk™ by Proto® not available in all countries.

SCREWDRIVERS
& BITS

INSERT BITS



PLIERS

DESIGNED TO GET THE JOB DONE

Blackhawk™ by Proto® pliers are manufactured to meet and exceed the demands of the automotive and industrial professionals. Alloy steel construction and heat-treated for strength and durability create world-class pliers that are tough and dependable. Now including sets and improved functionality, these pliers feature dual durometer, non-slip handles and induction hardened cutting edges.





7 PIECE ELECTRICIANS PLIERS SET

Item #: PT-1007S

• Weight (lbs): 4.45



Contents	Description
PT-1050-2	Wire Stripper
PT-1052-2	6" Diagonal Cutting Pliers
PT-1108-2	9" Linemans Pliers
PT-1129-2	8" Needle Nose Cutting Pliers - Heavy Duty
PT-1149-2	6" Curved Needle Nose Pliers
PT-1154-2	5" Precision Needle Nose Pliers
PT-1250-2	10" Rib Lock Pliers

3 PIECE BASIC PLIERS SET

Item #: PT-1003S

• Weight (lbs): 1.94



Contents	Description
PT-1003-2	8" Slip Joint Pliers
PT-1128-2	6" Needle Nose Cutting Pliers - Heavy Duty
PT-1250-2	10" Rib Lock Pliers



6 PIECE CUTTING PLIERS SET

Item #: PT-1006S

• Weight (lbs): 3.63



Contents	Description
PT-1057-2	7" Diagonal Cutting Pliers - Heavy Duty
PT-1108-2	9" Linemans Pliers
PT-1128-2	6" Needle Nose Cutting Pliers - Heavy Duty
PT-1129-2	8" Needle Nose Cutting Pliers - Heavy Duty
PT-1130-2	6" End Nipper Pliers
PT-1150-2	5" Diagonal Cutting Pliers

3 PIECE RIB LOCK PLIERS SET

Item #: PT-1300S

• Weight (lbs): 2.84



Contents	Description
PT-1248-2	12" Rib Lock Pliers
PT-1250-2	10" Rib Lock Pliers
PT-1263-2	8" Rib Lock Pliers

3 PIECE PRECISION PLIERS SET

Item #: PT-1003PS

• Weight (lbs): 0.48



Contents	Description
PT-1153-2	4" Precision Diagonal Cutting Pliers
PT-1154-2	5" Precision Needle Nose Pliers
PT-1251	5" Ignition Pliers

PLIERS SETS

PLIERS SETS



2 PIECE LONG PLIERS SET

Item #: PT-1002XS

• Weight (lbs): 1.5



Contents	Description
PT-1257-2	Long Reach 45 Degree Bent Nose Pliers
PT-1258-2	Long Reach Needle Nose Pliers

WIRE STRIPPER

- Special designed clamping jaws hold the wire securely during the stripping process
- Powder metal jaws, hardness HV450 to 650° (HRC 52 to 57°)
- Romax cable 14/2; 12/2 or NM-B cable 10-14AWG.
- Adjustable stop controls the length of wire to be stripped
- Extra cutting function for regular solid or stranded cable
- Standard stripping and cutting gauge 10-26AWG
- Swivel knob micro-adjusts for thinner wire to 30AWG or thicker wire to 8AWG
- Crimp non-insulated terminals 10-22AWG
- Crimp insulated terminals 10-22AWG
- Crimp auto ignition terminals 7 to 8mm



Overall Length (in)	Weight (lbs)	Item No.
8	0.75	PT-1050-2

SLIP JOINT PLIERS



Jaw Length (in)	Jaw Width (in)	Jaw Thickness (in)	Overall Length (in)	Weight (lbs)	Item No.
15/16	1-3/16	15/32	8-1/8	0.61	PT-1003-2

ASME B107.23

RIB LOCK PLIERS



Jaw Length (in)	Jaw Width (in)	Jaw Thickness (in)	Overall Length (in)	Weight (lbs)	Item No.
15/16	1-19/64	1/4	8-1/8	0.6	PT-1263-2
1-29/64	1-17/32	7/16	10-1/4	0.89	PT-1250-2
1-15/32	1-49/64	3/8	12-9/16	1.38	PT-1248-2

ASME B107.23





1
2
3
4
5
6
7
8
9
10
11
12
13
14
15
16
17
18
19
20
21
22
23
24
25
26
27
28
29
30
31
32
33
34
35
36
37
38
39
40
41
42
43
44
45
46
47
48
49
50
51
52
53
54
55
56
57
58
59
60
61
62
63
64
65
66
67
68
69
70
71
72
73
74
75
76
77
78
79
80
81
82
83
84
85
86
87
88
89
90
91
92
93
94
95
96
97
98
99
100

PLIERS

NEEDLE NOSE PLIERS

• Laser etch secondary markings. Induction hardened cutting edges. Dual-durometer handles with non-slip outer layer.



Jaw Length (in)	Jaw Width (in)	Jaw Thickness (in)	Overall Length (in)	Weight (lbs)	Item No.
1-45/64	49/64	1/4	5-3/16	0.17	PT-1154-2
2-7/64	23/32	25/64	6-3/8	0.32	PT-1128-2
2-29/32	27/32	7/16	8-3/8	0.52	PT-1129-2

ASME B107.38M

CURVED NEEDLE NOSE PLIERS

• Laser etch secondary markings. Induction hardened cutting edges. Dual-durometer handles with non-slip outer layer.



Jaw Length (in)	Jaw Width (in)	Jaw Thickness (in)	Overall Length (in)	Weight (lbs)	Item No.
2-7/32	29/32	31/64	6-1/4	0.29	PT-1149-2

ASME B107.13

DIAGONAL CUTTER PLIERS



Jaw Length (in)	Jaw Width (in)	Jaw Thickness (in)	Overall Length (in)	Weight (lbs)	Item No.
1-1/64	1-3/8	41/64	7-1/2	0.55	PT-1057-2
1-3/32	7/8	41/64	6-1/2	0.43	PT-1052-2
63/64	13/16	19/32	5-3/4	0.33	PT-1150-2
23/32	9/16	5/16	4-1/2	0.13	PT-1153-2

ASME B107.11

END NIPPER PLIERS



Jaw Length (in)	Jaw Thickness (in)	Overall Length (in)	Weight (lbs)	Item No.
29/64	61/64	6-5/8	0.53	PT-1130-2

ASME B107.11



LINESMAN PLIERS



Jaw Length (in)	Jaw Width (in)	Jaw Thickness (in)	Overall Length (in)	Weight (lbs)	Item No.
1-1/2	1-3/16	1/2	9-3/8	1.15	PT-1108-2

ASME B107.20

LONG REACH PLIERS



Jaw Type	Jaw Length (in)	Jaw Thickness (in)	Overall Length (in)	Weight (lbs)	Item No.
Straight Nose	2-53/64	13/32	11-3/4	0.73	PT-1258-2
Bent Nose	2-23/32	13/32	11-1/2	0.73	PT-1257-2

ASME B107.13

LONG REACH CUTTING PLIERS



Jaw Length (in)	Jaw Thickness (in)	Overall Length (in)	Weight (lbs)	Item No.
27/32	3/8	11-1/8	0.71	PT-1320

ASME B107.13

HOSE CLAMP PLIERS



Jaw Length (in)	Jaw Thickness (in)	Overall Length (in)	Weight (lbs)	Item No.
1-43/64	25/64	8-1/4	0.67	PT-1280-1

ASME B107.23M





1
2
3
4
5
6
7
8
9
10
11
12
13
14
15
16
17
18
19
20
21
22
23
24
25
26
27
28
29
30
31
32
33
34
35
36
37
38
39
40
41
42
43
44
45
46
47
48
49
50
51
52
53
54
55
56
57
58
59
60
61
62
63
64
65
66
67
68
69
70
71
72
73
74
75
76
77
78
79
80
81
82
83
84
85
86
87
88
89
90
91
92
93
94
95
96
97
98
99
100

PLIERS

IGNITION PLIERS



Jaw Length (in)	Jaw Thickness (in)	Overall Length (in)	Weight (lbs)	Item No.
15/32	3/16	5-17/64	0.11	PT-1251

ASME B107.23M

DUCKBILL WIRING PLIERS



Jaw Length (in)	Jaw Thickness (in)	Overall Length (in)	Weight (lbs)	Item No.
1-11/32	13/32	8	0.38	PT-1178

ASME B107.13M

BATTERY TERMINAL PLIERS



Jaw Length (in)	Jaw Thickness (in)	Overall Length (in)	Weight (lbs)	Item No.
1-3/8	9/32	7-11/16	0.45	PT-1259





Welded construction for added strength

Over molded cushion grip handle

No pinch release mechanism reduces pinch points and effort required

5 PIECE LOCKING PLIERS SET

Item #: PT-1105S

• Weight (lbs): 4.55

3 PIECE LOCKING PLIERS SET - QUICK RELEASE

Item #: PT-1203S

Weight (lbs): 2.78



Contents	Description
PT-1105-2	5" Curved Jaw Locking Pliers
PT-1106L	6" Long Nose Locking Pliers
PT-1107-2	7" Curved Jaw Locking Pliers
PT-1107S	7" Flat Jaw Locking Pliers
PT-1110-2	10" Curved Jaw Locking Pliers

Contents	Description
PT-1206L	6" Long Nose Locking Pliers - Quick Release
PT-1207	7" Curved Jaw Locking Pliers - Quick Release
PT-1210	10" Curved Jaw Locking Pliers - Quick Release





13
12
11
10
9
8
7
6
5
4
3
2
1

LOCKING PLIERS

CURVED JAW LOCKING PLIERS

- Welded construction for added strength. Overmolded cushion grip handle.
- No-pinch release mechanism reduces pinch points and effort required.



Jaw Length (in)	Jaw Width (in)	Jaw Thickness (in)	Overall Length (in)	Weight (lbs)	Item No.
1-13/64	1-17/64	1/4	5-5/8	0.45	PT-1105-2
1-9/64	1-19/64	7/16	7-1/4	0.83	PT-1107-2
1-39/64	1-39/64	9/16	8-5/8	1.29	PT-1110-2

ASME B107.24

FLAT JAW LOCKING PLIERS

- Welded construction for added strength. Overmolded cushion grip handle.
- No-pinch release mechanism reduces pinch points and effort required.



Jaw Length (in)	Jaw Width (in)	Jaw Thickness (in)	Overall Length (in)	Weight (lbs)	Item No.
1-1/8	1-25/32	5/8	7-5/16	0.91	PT-1107S

ASME B107.24

LONG NOSE LOCKING PLIERS

- Welded construction for added strength. Overmolded cushion grip handle.
- No-pinch release mechanism reduces pinch points and effort required.



Jaw Length (in)	Jaw Width (in)	Jaw Thickness (in)	Overall Length (in)	Weight (lbs)	Item No.
2-5/32	1-5/64	1/4	6-5/8	0.48	PT-1106L

ASME B107.24

QUICK-RELEASE LOCKING PLIERS

- Welded construction for added strength. Overmolded cushion grip handle.
- Quick-release styles with no release lever needed.



Style	Jaw Length (in)	Jaw Width (in)	Jaw Thickness (in)	Overall Length (in)	Weight (lbs)	Item No.
Curved Jaw	1-9/32	1-17/32	1/2	7-3/8	0.9	PT-1207
Curved Jaw	1-3/4	1-57/64	9/16	8-7/8	1.29	PT-1210
Long Nose	2-5/32	1-3/32	5/16	6-5/8	0.5	PT-1206L

ASME B107.24



LOCK RING PLIERS



Overall Length (in)	Weight (lbs)	Item No.
7-3/4	0.54	PT-1266

COMBINATION INTERNAL/EXTERNAL HEAVY-DUTY RETAINING RING PLIERS



Tip Diameter	Tip Length (in)	Nose Width (in)	Overall Length (in)	Weight (lbs)	Item No.
0.070"	0.312"	1.250"	8-1/8	0.30	PT-1286

ASME B107.19M

EXTERNAL RETAINING RING PLIERS



Tip Diameter	Tip Length (in)	Nose Width (in)	Overall Length (in)	Weight (lbs)	Item No.
0.38"	0.312"	0.812"	5-13/16	0.15	PT-1287

ASME B107.19M

INTERNAL RETAINING RING PLIERS



Tip Diameter	Tip Length (in)	Nose Width (in)	Overall Length (in)	Weight (lbs)	Item No.
0.38"	0.312"	0.750"	5-9/16	0.14	PT-1288

ASME B107.19M

COMBINATION INTERNAL/EXTERNAL RETAINING RING PLIERS



Tip Diameter	Tip Length (in)	Nose Width (in)	Overall Length (in)	Weight (lbs)	Item No.
0.38"	0.312"	1.125"	6	0.16	PT-1285

ASME B107.19M



STRIKING & STRUCK

HAMMERS, CHISELS, PUNCHES, & PRY BARS

Blackhawk™ by Proto® tools comprise of an assortment of striking and struck products including hammers, chisels, punches and pry bars. This mix of products meets the needs of basic automotive, fleet maintenance and industrial applications.





BALL PEIN HAMMERS



Head Weight	Head Diameter (in)	Overall Length (in)	Weight (lbs)	Item No.
16oz	1-13/16	14-9/64	1.47	HT-1005-1
24oz	2-1/32	15-9/64	1.98	HT-1007-1
32oz	2-3/32	16-9/64	2.5	HT-1008-1

SOFT FACE HAMMERS

• Tough, replaceable, molded plastic head.

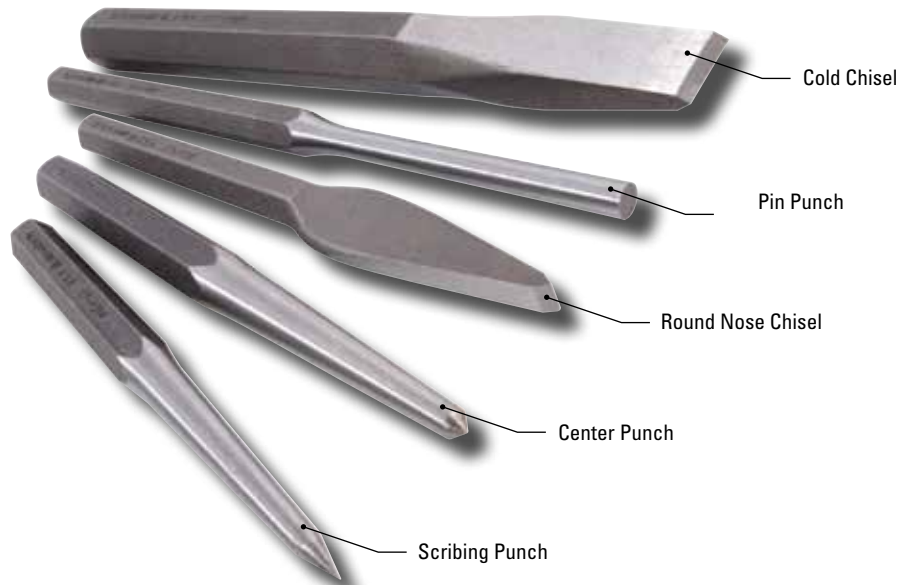


Head Weight	Head Diameter (in)	Overall Length (in)	Weight (lbs)	Item No.
16oz	2-3/16	12-1/2	0.94	HT-1452-1
20oz	2-3/16	12-1/2	1.22	HT-1453-1
Replacement Tip				HT-1452T-1

RUBBER MALLET



Head Weight	Head Diameter (in)	Overall Length (in)	Weight (lbs)	Item No.
30oz	3	15-3/4	2.25	HT-1255





14 PIECE CHISEL AND PUNCH SET

Item #: CT-114

• Weight (lbs): 3.81



Contents	Description
CT-1003	Cold Chisel 5 1/4" Length, 3/8" Edge
CT-1004	Cold Chisel 5 1/2" Length, 7/16" Edge
CT-1006	Cold Chisel 6-1/2" Length, 5/8" Edge
CT-1008	Cold Chisel 7" Length, 3/4" Edge
CT-1010	Cold Chisel 7-1/2" Length, 7/8" Edge
CT-1156	Flat Cape Chisel
CT-1254	Diamond Point Chisel 5" Length, 3/16" Edge
CT-1304	Center Punch 5-1/2" Length, 3/16" Point
CT-1314	Scribing Punch 5" Length, 5/32"
CT-1453	Pin Punch 5" Length, 1/8" Point
CT-1454	Pin Punch 5 1/4" Length, 5/32" Point
CT-1456	Pin Punch 5 1/2" Length, 3/16" Point
CT-1464	Pin Punch 7" Length, 1/4" Point
CT-1466	Pin Punch 7" Length, 5/16" Point

5 PIECE PIN PUNCH SET

Item #: CT-205

• Weight (lbs): 0.88



Contents	Description
CT-1453	Pin Punch 5" Length, 1/8" Point
CT-1454	Pin Punch 5 1/4" Length, 5/32" Point
CT-1456	Pin Punch 5 1/2" Length, 3/16" Point
CT-1464	Pin Punch 7" Length, 1/4" Point
CT-1466	Pin Punch 7" Length, 5/16" Point

5 PIECE COLD CHISEL SET

Item #: CT-105

• Weight (lbs): 2.3



Contents	Description
CT-1003	Cold Chisel 5 1/4" Length, 3/8" Edge
CT-1004	Cold Chisel 5 1/2" Length, 7/16" Edge
CT-1006	Cold Chisel 6-1/2" Length, 5/8" Edge
CT-1008	Cold Chisel 7" Length, 3/4" Edge
CT-1010	Cold Chisel 7-1/2" Length, 7/8" Edge





COLD CHISELS



Tip Type	Stock Size (in)	Bit/Edge (in)	Overall Length (in)	Weight (lbs)	Item No.
Straight	5/16	3/8	5-1/4	0.11	CT-1003
Straight	3/8	7/16	5-1/2	0.17	CT-1004
Straight	1/2	5/8	6-7/16	0.35	CT-1006
Straight	5/8	3/4	7	0.58	CT-1008
Straight	3/4	7/8	7-7/16	0.9	CT-1010

ASME B107.47M

ROUND NOSE CHISEL



Tip Type	Stock Size (in)	Bit/Edge (in)	Overall Length (in)	Weight (lbs)	Item No.
Round Nose	3/8	1/4	5-5/8	0.17	CT-1204

ASME B107.47M

DIAMOND POINT CHISEL



Tip Type	Stock Size (in)	Bit/Edge (in)	Overall Length (in)	Weight (lbs)	Item No.
Diamond	3/8	3/16	5-1/4	0.15	CT-1254

ASME B107.47M

CAPE CHISEL



Tip Type	Stock Size (in)	Bit/Edge (in)	Overall Length (in)	Weight (lbs)	Item No.
Cape	3/8	1/4	5-5/8	0.16	CT-1156

ASME B107.47M

LONG COLD CHISELS



Tip Type	Stock Size (in)	Bit/Edge (in)	Overall Length (in)	Weight (lbs)	Item No.
Straight	5/8	3/4	12	1.05	CT-1108
Straight	3/4	7/8	12	1.48	CT-1110

ASME B107.47M





HAND PUNCH



Tip Type	Stock Size (in)	Bit/Edge (in)	Overall Length (in)	Weight (lbs)	Item No.
Round	3/8	3/16	4-61/64	0.12	CT-1404

ASME B107.48M

LONG TAPER PUNCHES



Tip Type	Stock Size (in)	Bit/Edge (in)	Overall Length (in)	Weight (lbs)	Item No.
Round	1/2	5/32	8-1/2	0.35	CT-1554
Round	1/2	3/16	9	0.37	CT-1556
Round	5/8	5/16	11	0.81	CT-1558

ASME B107.48M

CENTER PUNCHES



Tip Type	Stock Size (in)	Bit/Edge (in)	Overall Length (in)	Weight (lbs)	Item No.
Tapered	3/8	5/32	5	0.12	CT-1303
Tapered	7/16	3/16	5-31/64	0.2	CT-1304
Tapered	1/2	1/4	6	0.27	CT-1306

ASME B107.48M

PIN PUNCHES



Tip Type	Stock Size (in)	Bit/Edge (in)	Overall Length (in)	Weight (lbs)	Item No.
Round	5/16	1/8	5-1/32	0.07	CT-1453
Round	5/16	5/32	5-17/64	0.09	CT-1454
Round	5/16	3/16	5-33/64	0.1	CT-1456
Round	3/8	1/4	7	0.18	CT-1464
Round	1/2	5/16	7	0.3	CT-1466

ASME B107.48M





ALIGNING PUNCH



Tip Type	Stock Size (in)	Bit/Edge (in)	Overall Length (in)	Weight (lbs)	Item No.
Round	5/8	1/4	11	0.75	CT-1509

ASME B107.48M

SCRIBING PUNCH



Tip Type	Stock Size (in)	Bit/Edge (in)	Overall Length (in)	Weight (lbs)	Item No.
Tapered	3/8	5/32	5	0.11	CT-1314

ASME B107.48M

PRY BARS



Length (in)	Size (in)	Bit/Edge		Weight (lbs)	Item No.
		(in)	Tip Width (in)		
15-15/16	1/2	1-15/16	5/8	0.85	CT-1617
18-1/4	5/8	2-5/8	3/4	1.57	CT-1620

ASME B107.60M

PINCH BARS



Length (in)	Size (in)	Bit/Edge		Weight (lbs)	Item No.
		(in)	Tip Width (in)		
14-5/8	1/2	5/8	9/16	0.67	CT-1606
16	5/8	3/4	13/16	1.23	CT-1610

ASME B107.60M



SPECIALTY TOOLS

Meeting the needs of automotive customers and MRO organizations, no toolbox is complete without an assortment of specialty items. Blackhawk™ by Proto® includes popular puller configurations, automotive feeler gauges; as well as engine, brake and wheel tools. A range of cleaning brushes, scrapers and hacksaws round out the category.



TAPERED BEARING SPLINTER**Item #: ET-1207**

- Designed for the removal of bearings, thin-faced gears and cone-shaped gears.
- Beveled edge allows insertion behind pulleys, gears, or bearings where space limitations preclude the use of a standard jaw puller.
- Max Reach: 4-1/4"
- Weight (lbs): 5.07

**BODY DENT PULLER****Item #: ET-1710**

- Removes auto body creases and dents without disturbing upholstery, headliners and body hardware.
- Removing inner panels of dented area is also eliminated.
- Punch or drill hole in dented panel, insert self-threading screw or hook and with a few raps of the sliding hammer return metal to its original shape.
- Sturdy plastic handle and black oxide body.
- Overall Length (in): 13
- Weight (lbs): 3.72

**BATTERY TERMINAL & GENERATOR BEARING PULLER****Item #: ET-1071A**

- Designed to engage either below or on the sides of the cable terminals and lift even badly corroded terminals with no harm to the battery case or posts.
- The swivel allows its use as a generator bearing puller and magneto gear puller.
- Weight (lbs): 0.64

**STEERING WHEEL PULLER****Item #: ET-1328A**

- Any steering wheel that is tapped to take cap screws can be easily removed with this Steering Wheel Puller, for removing flanges, pulleys, etc.
- For use over a hollow shaft, a nipple is supplied to provide a base for the screw.
- Also includes adapters for Buick® and Chrysler® products (not shown.)
- Weight (lbs): 2.25





6 BLADE NON-MAGNETIC FEELER GAUGE

Item #: MT-1020-1

- Contents: 6 Blades
- SAE (Metric) Sizes:
.006" (.15 mm), .008" (.20 mm), .010" (.25 mm),
.012" (.30 mm), .014" (.356 mm), .016" (.406 mm)



16 BLADE FEELER GAUGE

Item #: MT-1041

- Services domestic and foreign cars.
- Contents: 16, 1.75" x 0.25" Blades
- Sizes:
.011", .012", .013", .014", .015", .016", .017", .018",
.019", .020", .022", .024", .025", .028", .030", .035"



6 WIRE HIGH-ENERGY FEELER GAUGE

Item #: MT-1021A

- For large gap, high energy ignition systems.
- Contains 6 wire gauges and a gap setting tool.
- Wire ends angled for use with electrodes set below the shell.
- SAE (Metric) Sizes:
.044" (1.12 mm), .045" (1.15 mm), .050" (1.25 mm),
.054" (1.37 mm), .060" (1.52 mm), .080" (2.03 mm)



15 BLADE GO-NO-GO GAUGE

Item #: MT-1043

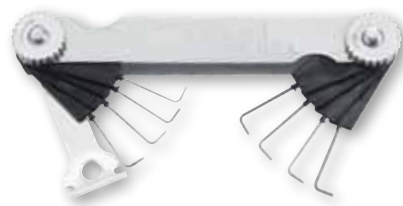
- Contents: 15, 3.31" x 0.5" Blades
- Sizes: .006" (.152 mm) to .020" (.508 mm) (See chart for full details.)



REGULAR SPARK PLUG WIRE GAUGE

Item #: MT-1040-1

- Contents: 1 Electrode Bender, 8 Wire Gauges
- Sizes: .020", .025", .028", .030", .032", .034", .035", .040"



Size Reference Chart			
SAE	Metric	SAE	Metric
.002"-.003"	.050 mm-.076 mm	.014"-.016"	.356 mm-.406 mm
.003"-.004"	.076 mm-.101 mm	.015"-.017"	.381 mm-.432 mm
.004"-.006"	.101 mm-.152 mm	.016"-.018"	.406 mm-.457 mm
.005"-.007"	.127 mm-.178 mm	.017"-.019"	.432 mm-.483 mm
.006"-.008"	.152 mm-.203 mm	.018"-.020"	.457 mm-.508 mm
.007"-.009"	.177 mm-.229 mm	.019"-.021"	.483 mm-.533 mm
.008"-.010"	.203 mm-.254 mm	.020"-.022"	.508 mm-.559 mm
.009"-.011"	.229 mm-.279 mm	.021"-.023"	.533 mm-.584 mm
.010"-.012"	.254 mm-.305 mm	.022"-.024"	.559 mm-.610 mm
.011"-.013"	.279 mm-.330 mm	.023"-.025"	.584 mm-.635 mm
.012"-.014"	.305 mm-.356 mm	.024"-.026"	.610 mm-.660 mm
.013"-.015"	.330 mm-.381 mm	.025"-.027"	.635 mm-.686 mm



22 BLADE GO-NO-GO IGNITION FEELER GAUGES**Item #: MT-1022**

- Contents: 22, 3.31" x 0.5" Blades
- Sizes: .004" (.101 mm) to .025" (.635 mm)

**25 BLADE ALL-PURPOSE FEELER GAUGE****Item #: MT-1049**

- Contents: 25, 3.31" x 0.5" Blades
- Sizes: .0015", .002", .003", .004", .005", .006", .007", .008", .009", .010", .011", .012", .013", .014", .015", .016", .018", .020", .022", .024", .025", .028", .030", .032", .035"

**Size Reference Chart**

SAE	Metric	SAE	Metric
.002"-.003"	.050 mm-.076 mm	.014"-.016"	.356 mm-.406 mm
.003"-.004"	.076 mm-.101 mm	.015"-.017"	.381 mm-.432 mm
.004"-.006"	.101 mm-.152 mm	.016"-.018"	.406 mm-.457 mm
.005"-.007"	.127 mm-.178 mm	.017"-.019"	.432 mm-.483 mm
.006"-.008"	.152 mm-.203 mm	.018"-.020"	.457 mm-.508 mm
.007"-.009"	.177 mm-.229 mm	.019"-.021"	.483 mm-.533 mm
.008"-.010"	.203 mm-.254 mm	.020"-.022"	.508 mm-.559 mm
.009"-.011"	.229 mm-.279 mm	.021"-.023"	.533 mm-.584 mm
.010"-.012"	.254 mm-.305 mm	.022"-.024"	.559 mm-.610 mm
.011"-.013"	.279 mm-.330 mm	.023"-.025"	.584 mm-.635 mm
.012"-.014"	.305 mm-.356 mm	.024"-.026"	.610 mm-.660 mm
.013"-.015"	.330 mm-.381 mm	.025"-.027"	.635 mm-.686 mm

BRAKE SPRING PLIERS**Item #: PT-1262**

- Comes with an adapter for lifting anchor pins.
- Length (in): 14
- Weight (lbs): 1.03

**HOLDER RETRIEVER - FULLY FLEXIBLE****Item #: ZT-1180**

- For starting a nut or screw in an inaccessible spot or retrieving parts that fall into hard-to-reach places.
- Length (in): 13-1/2
- Weight (lbs): 0.11

**TELESCOPING MAGNET TOOL****Item #: ZT-1193**

- Magnetic end for retrieving tools, parts or fasteners from hard-to-reach places.
- The end contains a powerful permanent magnet and is arranged on a pivot that can be rotated 120° right or left.
- The aluminum shaft with vinyl insulated handle provides a firm, secure grip.
- Extends from a telescoped 16-1/2" length to 27" fully extended.
- Length (in): 16-1/2 - 27
- Weight (lbs): 0.36





FLEXIBLE MAGNET TOOL

Item #: ZT-1197

- Magnetic end for retrieving, flexible shaft for hard-to-reach places.
- Completely nickel plated.
- Flexible shaft.
- Length (in): 18
- Weight (lbs): 0.16



INSPECTION MIRROR

Item #: ST-1250

- For fast visual inspection of all hidden areas.
- The double ball joint permits easy viewing at 360°.
- Mirror telescopes to 14".
- Specially designed non-rotating hex rod helps prevent mirror from swinging out of alignment.
- Mirror has a vinyl insulated handle.
- Length (in): 10-1/4 to 14-1/64
- Weight (lbs): 0.24



TUBING BENDER

Item #: ZT-1125

- Quickly and easily bends 3 sizes (3/16", 1/4", 5/16") of steel or 3/8" copper tubes.
- Bends up to 180°.
- Nylon form prevents kinking.
- Length (in): 6
- Weight (lbs): 0.92



STUD EXTRACTOR

Item #: 49980

- Extractor will remove or install 1/4" to 3/4" stud sizes.
- Constructed to permit gripping wheel to lay flush on flat surfaces to engage stud at lowest point if required without damage to stud threads.
- Drive socket extends through entire housing to prevent binding.
- Weight (lbs): 1.11



SCREW EXTRACTOR SET

Item #: DT-55

- Hand forged to ensure correct angle and grip.
- Used to remove broken studs, set screws, pipe and alemite fittings.



Contents	Bolt Diameter (in)	Drill Size (in)	Length (in)	Weight (lbs)
DT-2601	1/4 to 5/16	1/8	2-3/8	0.02
DT-2602	3/8	3/16	2-11/16	0.03
DT-2603	7/16	15/64	2-15/16	0.05
DT-2604	1/2 to 9/16	5/16	3-1/8	0.08
DT-2605	5/8	3/8	3-3/8	0.11



CARBON CLEANING END BRUSH**Item #: ZT-1301**

- Removes hard carbon deposits as well as rust and paint from metal surfaces.
- Use with 1/4" drill for general metal cleaning.
- Safety glasses and protective clothing are recommended while using this brush.
- Diameter Face: 0.75"
- Diameter Shank: 0.25"
- Max. Safe Free Speed: 20,000 RPM
- Weight (lbs): 0.18

**HEAVY-DUTY KNOT END CLEANING BRUSH****Item #: ZT-1300**

- Heavy gauge wire twisted into strong knot ends for tough use.
- Use with 1/4" drill or flexible shaft equipment.
- Safety glasses and protective clothing are recommended while using this brush.
- Diameter Face: 1.13"
- Diameter Shank: 0.25"
- Max. Safe Free Speed: 20,000 RPM
- Weight (lbs): 0.28

**HEAVY-DUTY SCRATCH BRUSH WITH SCRAPER****Item #: ZT-1312**

- Thick clusters of heavy gauge wire for heavy-duty use.
- 16 rows, 4 rows wide.
- 1-3/16" long wires, built-in steel scraper.
- Length (in): 10
- Weight (lbs): 0.38

**STEEL WIRE SCRATCH BRUSH****Item #: ZT-1310**

- A sturdy brush with 19 rows, 3 rows wide.
- 1-3/16" long wires.
- Length (in): 14
- Weight (lbs): 0.33

**CARBON SCRAPER****Item #: ZT-1111**

- Length (in): 7-1/4
- Weight (lbs): 0.14

**DEGREASING SCRAPER****Item #: ZT-1112**

- Length (in): 7-1/4
- Weight (lbs): 0.15

**GASKET SCRAPER****Item #: ZT-1102**

- Length (in): 11
- Weight (lbs): 0.28





DELUXE ADJUSTABLE HACKSAW FRAME

Item #: FT-1204

- Our finest heavy-duty steel hacksaw frame guards against breakage of high-speed blades.
- Impact-resistant pistol grip handle.
- Adjustable frame locks on 10" and 12" blades.
- Length (in): 17-1/2
- Weight (lbs): 1.39



10 PIECE HIGH SPEED HACKSAW BLADES

Item #: FT-1103

- A molybdenum high speed steel blade of superb quality and durability.
- Will cut nickel, high carbon steel and other tough alloys.
- Width (in): 1/2
- Thickness (in): 1/32
- Teeth Per Inch: 18
- Length (in): 12-1/2
- Weight (lbs): 0.38



ADJUSTABLE HACKSAW FRAME

Item #: FT-1202

- Handy adjustable hacksaw frame is ideal for general use.
- Adjustable frame locks on 10" and 12" blades.
- Length (in): 16-5/8
- Weight (lbs): 1.25



10 PIECE HACKSAW BLADES

Item #: FT-1124

- It is sometimes advisable to use these blades where cutting is to be done on surfaces that are not extremely hard and where the possibility of flexing occurs.
- Width (in): 1/2
- Thickness (in): 1/32
- Teeth Per Inch: 24
- Length (in): 12-1/2
- Weight (lbs): 0.40



A	
Adapters	124
B	
Bits	
Insert Bits	229-232
Magnetic Nut Setters	230
Bit Driver	226
Brake Spring Plier	252
Brushes	254
C	
Cabinets	
Roller	108-110
Side	112
Top Chest	110-111
Intermediate Chest	112
Workstation	110
Chisels	245-246
Crowfoot Wrenches	
Crowfoot Sets	143
3/8" Drive	155
D	
Drive Tools & Accessories	
1/4" Drive	127-129
3/8" Drive	145-148
1/2" Drive	161-163
3/4" Drive	169
Drag Link Socket	163
E	
Extensions	123-124
Extractors	253
F	
Feeler Gauges	251-252
Flex Handles	123
Flexible Spinner	123
G	
General Purpose Sets	81-105
H	
Hammers	244
Hex Bits Sockets	
Hex Bit Socket Sets	143-144 & 160
3/8" Drive	153-154
1/2" Drive	167

Hex Keys	228
I	
Impact Sockets	See <i>Sockets (Impact)</i>
Impact Socket Sets	See <i>Socket Sets (Impact)</i>
Insert Bits	229-232
Inspecting Mirror	253
L	
Locking Extensions	123
Locking Pliers	240-241
M	
Magnetic Tools	252-253
Mallet	244
Master Sets	3-80
N	
Nut Drivers	227
P	
Pinch Bars	248
Pliers	
Sets	234-236 & 240
Battery Terminal	239
Curved Needle Nose	237
Diagonal Cutter	237
Duckbill Wiring	239
End Nipper	237
Hose Clamp	238
Ignition	239
Linesman	238
Locking	241
Long Reach	238
Needle Nose	237
Retaining Ring	242
Rib Lock	236
Slip Joint	236
Pry Bars	248
Pullers	250
Punches	247-248
R	
Ratchets	121-122
Ratcheting Screwdriver	229
Ratcheting Wrenches	See <i>Wrenches (Ratcheting)</i>
Retaining Ring Pliers	242
Retrievers	252-253



S

Saws	
Hacksaws.....	255
Blades.....	255
Scrapers.....	254
Screwdrivers	
Sets.....	222-224
Offset.....	226
Phillips®.....	225
Pozidriv®.....	225
Ratcheting.....	229
Slotted.....	224
Stubby.....	226
Torx®.....	225
Tamper Resistant Torx®.....	225
Screw Starters.....	226
Sets	
Master.....	3-80
General Purpose.....	81-105
Slide T Handle.....	123
Sockets (Hand)	
1/4" Drive.....	130-132
3/8" Drive.....	149-155
1/2" Drive.....	163-167
3/4" Drive.....	170
Bit Sockets.....	153-154 & 167
Drive Tools.....	See <i>Drive Tools & Accessories</i>
Spark Plug.....	147 & 167
Socket Sets (Hand)	
Bit Socket Sets.....	143-144 & 160
Universal Socket Sets.....	142
1/4" Drive.....	125-127
3/8" Drive.....	133-142
1/2" Drive.....	156-160
3/4" Drive.....	168
Mixed Drive Sets.....	114-120
Sockets (Impact)	
1/4" Drive.....	203-204
3/8" Drive.....	207-210
1/2" Drive.....	213-217
3/4" Drive.....	219-220
Axel Nut.....	216
Double End.....	216
Extensions.....	210 & 216
Hex Bit.....	208-209, 215 & 220
Torx Sockets.....	203-204, 209 & 215
Universal Joints.....	210 & 216

Socket Sets (Impact)	
Hex Bit Socket Sets.....	207, 212 & 217
Torx Socket Sets.....	203
3/8" Drive.....	204-207
1/2" Drive.....	210-212
3/4" Drive.....	217-218
Multi Drive Sets.....	203
Wheel Lug Kit.....	217
Spark Plug Sockets.....	147-148 & 167
Speeder Handles.....	123
Spinners.....	123
Storage.....	See <i>Tool Storage</i>

T

Tool Storage	
Roller Cabinets.....	108-110
Top Chests.....	110-111
Side Cabinet.....	112
Intermediate Box.....	112
Tubing Bender.....	253

U

Universal Joints.....	124
Universal Sockets.....	148

W

Wire Stripper.....	236
Wrenches and Wrench Sets	
Adjustable.....	200
Air Conditioning.....	200
Combination.....	185-195
Crowfoot.....	200
Double Box End.....	198
Flare Nut.....	198-199
Open End.....	196-197
Ratcheting.....	See <i>Wrenches (Ratcheting)</i>
Wrenches (Racheting) and Sets	
4Box™.....	182-183
Double Box.....	178
Extended Length.....	176-177
Flex-Head.....	179-180
Non Reverse Combination.....	172-173
Obstacle Sets.....	184
Reverse Combination.....	174-176
Stubby Reversible.....	180-181



107-A	127	30412.....	152
107-CNB.....	127	30414.....	152
110-A	125	30416.....	152
110-AM.....	126	30418.....	152
110-CM.....	126	30420.....	152
110-CNB.....	126	30422.....	152
112-MNB.....	125	30424.....	152
1217-MNB.....	157	30426.....	152
1217-S.....	156	30428.....	152
1218-S.....	157	30430.....	152
1226NB.....	156	30432.....	152
1412-6M	126	30608.....	149
1427.....	125	30612.....	149
202-C.....	141	30614.....	149
206-CNB.....	141	30616.....	149
207-M	142	30618.....	149
208-CNB.....	142	30620.....	149
208-M	141	30622.....	149
209-CNB.....	141	30624.....	149
210-B	159	30626.....	149
213-BNB.....	139	30628.....	149
218-BNB.....	142	30630.....	149
30010.....	149	30632.....	149
30010A.....	151	308-M	160
30012.....	151	309-BS.....	160
30014.....	151	309-M	159
30016.....	151	310-C.....	159
30018.....	151	310-MNB.....	159
30020.....	151	31108.....	151
30022.....	151	31110.....	151
30024.....	151	31112.....	151
30026.....	151	31114.....	151
30028.....	151	31116.....	151
300301.....	151	3114.....	197
300321.....	151	3116.....	197
30209HAM	148	3118.....	197
30210HAM	148	3120.....	197
30211HAM	148	3122.....	197
30212HA	148	3124.....	197
30212HAM	148	3128.....	197
30213HAM	148	3130.....	197
30214HA	148	3132.....	197
30214HAM	148	3134.....	197
30215HAM	148	314-B	158
30216HA	148	314-C.....	158
30218HA	148	315-M	158
30220HA	148	315-S.....	158
30222HA	148	32007M.....	149
30224HA	148	32008M.....	149
30320SA	148	32009M.....	149
30326A.....	148	32010M.....	149



32011M.....	149	3809-DS.....	140
32012M.....	149	3811-MNB.....	138
32013M.....	149	3811NB.....	137
32014M.....	149	3812-M.....	139
32015M.....	149	3814ANB.....	137
32016M.....	149	3816-MS.....	137
32017M.....	149	3818-M.....	136
32018M.....	149	3819-DS.....	136
32019M.....	149	3820NB.....	135
32020M.....	149	3820-S.....	135
32021M.....	149	3824-MNB.....	134
32022M.....	149	3829-M.....	134
34007M.....	151	40112.....	165
34008M.....	151	40114.....	165
34009M.....	151	40116.....	165
34010M.....	151	40118.....	165
34011M.....	151	40120.....	165
34012M.....	151	40122.....	165
34013M.....	151	40124.....	165
34014M.....	151	40126.....	165
34015M.....	151	40128.....	165
34016M.....	151	40130.....	165
34017M.....	151	40132.....	165
34018M.....	151	40134.....	165
34019M.....	151	40136.....	165
34020M.....	151	40138.....	165
34021M.....	151	40140.....	165
34022M.....	151	40144A.....	165
34935B.....	122 & 145	4020P.....	196
34945BR.....	145 & 146	40316.....	166
34947B.....	122 & 145	40318.....	166
34948B.....	122 & 146	40320.....	166
34950R.....	122 & 146	40320S.....	167
34960.....	124 & 129	40322.....	166
34963.....	124 & 147	40324.....	166
34965.....	124 & 162	40326.....	166
34966.....	124 & 147	40326S.....	167
34982.....	123 & 146	40328.....	166
34983.....	124 & 146	40330.....	166
34984.....	124 & 146	40332.....	166
34984L.....	123 & 146	40334.....	166
34986B.....	123 & 146	40336.....	166
34987.....	124 & 146	4033P.....	196
34987L.....	123 & 146	40416.....	164
34988.....	124 & 146	40418.....	164
34988L.....	123 & 146	40420.....	164
34989.....	124 & 146	40422.....	164
34993A.....	124 & 147	40424.....	164
3809-6.....	140	40426.....	164
3809-B.....	140	40428.....	164
3809-D6.....	140	40430.....	164



40432.....	164	43021M.....	163
40434.....	164	43022M.....	163
40436.....	164	43023M.....	163
40612.....	163	43024M.....	163
40614.....	163	43027M.....	163
40616.....	163	44010M.....	166
40618.....	163	44011M.....	166
40620.....	163	44012M.....	166
40622.....	163	44013M.....	166
40624.....	163	44014M.....	166
40626.....	163	44015M.....	166
40628.....	163	44016M.....	166
40630.....	163	44017M.....	166
40632.....	163	44018M.....	166
40634.....	163	44019M.....	166
40636.....	163	44020M.....	166
40640.....	163	44021M.....	166
40642A.....	163	44022M.....	166
411-BNB.....	168	44023M.....	166
415-B.....	168	44024M.....	166
42010M.....	163	44025M.....	166
42011M.....	163	44026M.....	166
42012M.....	163	44027M.....	166
42013M.....	163	45010M.....	164
42014M.....	163	45011M.....	164
42015M.....	165	45012M.....	164
42016M.....	165	45013M.....	164
42017M.....	165	45014M.....	164
42018M.....	165	45015M.....	164
42019M.....	165	45016M.....	164
42020M.....	165	45017M.....	164
42021M.....	165	45018M.....	164
42022M.....	165	45019M.....	164
42023M.....	165	45020M.....	164
42024M.....	165	45021M.....	164
42025M.....	165	45022M.....	164
42026M.....	165	45023M.....	164
42027M.....	165	45024M.....	164
42028M.....	165	45025M.....	164
42030M.....	165	45026M.....	164
42032M.....	165	45027M.....	164
42036M.....	165	4723P.....	196
428-BS.....	168	4724P.....	196
43010M.....	165	4725P.....	196
43011M.....	165	4727P.....	196
43012M.....	165	4728P.....	196
43013M.....	165	4732P.....	196
43014M.....	165	49964.....	124 & 162
43015M.....	163	49964L.....	123 & 162
43017M.....	163	49966.....	124 & 162
43019M.....	163	49966L.....	123 & 162



49972.....	124 & 162	61046M.....	170
49976-2.....	216	61050M.....	170
49978A.....	124 & 162	61054M.....	170
49979.....	163	61055M.....	170
49988B.....	123 & 161	69945P.....	121 & 169
49990.....	124 & 162	69990.....	124 & 169
49990L.....	123 & 162	69992.....	124 & 162
49991.....	124 & 169	69993.....	124 & 169
49992.....	123 & 161	69994.....	124 & 169
60026A.....	170	69995.....	124 & 169
60027A.....	170	69997.....	123 & 169
60028.....	170	69998.....	123 & 169
60030.....	170	8921NB.....	138
60032.....	170	8924MNB.....	138
60034.....	170	900-0.....	232
60036.....	170	90007S.....	112
60038.....	170	9000-A.....	232
60040.....	170	9000HB.....	232
60042.....	170	9000R-2.....	229
60044.....	170	9000-T10.....	232
60046.....	170	9000-T15.....	232
60048.....	170	9000-T20.....	232
60050.....	170	9000-T25.....	232
60052.....	170	9000-T27.....	232
60054.....	170	9000-T30.....	232
60056.....	170	9000-T40.....	232
60058.....	170	9000-T6.....	232
60060.....	170	9000-T7.....	232
60064.....	170	9000-T8.....	232
60068.....	170	9000-TP10.....	232
60070.....	170	9000-TP15.....	232
60072.....	170	9000-TP20.....	232
60076.....	170	9000-TP25.....	232
61019M.....	170	9000-TP27.....	232
61021M.....	170	900-1.....	232
61022M.....	170	900-2.....	232
61023M.....	170	900-20.....	232
61024M.....	170	900-21.....	232
61025M.....	170	900-22.....	232
61026M.....	170	900-23.....	232
61027M.....	170	900-3.....	232
61028M.....	170	900-30.....	232
61029M.....	170	900-31.....	232
61030M.....	170	900-32.....	232
61031M.....	170	900-33.....	232
61032M.....	170	900-4.....	232
61035M.....	170	900-40.....	232
61036M.....	170	900-41.....	232
61038M.....	170	900-42.....	232
61041M.....	170	900-43.....	232
61042M.....	170	900-5.....	232



900-51.....	232	970760.....	22
900-52.....	232	970865.....	15
900-53.....	232	971170.....	4
900-6.....	232	9748100.....	82
900-60.....	232	974822.....	100
900-61.....	232	974822M.....	101
900-62.....	232	974840.....	94
900-63.....	232	974840M.....	95
900-64.....	232	974850.....	90
900-7.....	232	974850M.....	91
900-8.....	232	974875.....	86
92703I.....	112	9782100.....	84
92705C.....	111	978225.....	98 & 120
92705R.....	110	978225M.....	99 & 120
92706C.....	111	978240.....	96 & 118
92708R.....	109	978240M.....	97 & 119
940-JS.....	232	978250.....	92 & 116
94100B.....	112	978250M.....	93 & 117
94106R.....	109	978275.....	88
94107C.....	111	9782-B.....	114
94109C.....	111	9913X.....	139
94113R.....	109	9934.....	133
94114R.....	108	AW-1004-2.....	200
95410C.....	110	AW-1006-2.....	200
95414R.....	108	AW-1008-2.....	200
9609MNB.....	187	AW-1010-2.....	200
9609PNB.....	186	AW-1012-2.....	200
97001.....	105	AW-1015-2.....	200
97002.....	104	AW-1018-2.....	200
97003.....	103	AW-1024-2.....	200
97004.....	102	BCF-10M.....	200
97005.....	205	BCF-11M.....	200
97006.....	176	BCF-12.....	200
97007.....	182	BCF-12M.....	200
97008.....	182	BCF-13M.....	200
970080.....	79	BCF-14.....	200
97009.....	182	BCF-14M.....	200
970100.....	77	BCF-15M.....	200
970125.....	75	BCF-16.....	200
970150.....	73	BCF-16M.....	200
970175.....	70	BCF-17M.....	200
970205.....	67	BCF-18.....	200
970270.....	64	BCF-18M.....	200
970306.....	61	BCF-19M.....	200
970375.....	57	BCF-20.....	200
970427.....	53	BCF-20M.....	200
970485.....	48	BCF-21M.....	200
970560.....	42	BCF-22.....	200
97065.....	115	BCF-22M.....	200
970660.....	35	BCF-24.....	200
970687.....	29	BCF-26.....	200



BCF-28.....	200	BW-1112MB.....	195
BCF-32.....	200	BW-1112MFP.....	188
BCF-50MNB.....	143	BW-1113M.....	192
BCF-50NB.....	143	BW-1113MB.....	195
BI-101S.....	230	BW-1113MFP.....	188
BI-10SS.....	231	BW-1114M.....	192
BI-11TS.....	231	BW-1114MB.....	195
BI-180S.....	229	BW-1114MFP.....	188
BI-25S.....	231	BW-1115M.....	192
BI-31S.....	231	BW-1115MB.....	195
BI-360S.....	229	BW-1115MFP.....	188
BI-NS6.....	230	BW-1116M.....	192
BI-NS6M.....	230	BW-1116MB.....	195
BL-006.....	194	BW-1116MFP.....	188
BL-006M.....	194	BW-1116R.....	178
BL-009.....	193	BW-1117M.....	192
BL-009M.....	193	BW-1117MB.....	195
BL-014.....	193	BW-1117MFP.....	188
BL-014M.....	193	BW-1118M.....	192
BP-1214.....	121 & 127	BW-1118MB.....	195
BP-1214QR.....	121 & 127	BW-1118MFP.....	188
BP-1338.....	121 & 145	BW-1119M.....	192
BP-1338QR.....	121 & 145	BW-1119MB.....	195
BP-1412.....	121 & 161	BW-1119MFP.....	188
BP-1412QR.....	121 & 161	BW-1120M.....	192
BW-0516R.....	178	BW-1120MB.....	195
BW-0716R.....	178	BW-1120MFP.....	188
BW-0809R.....	178	BW-1121M.....	192
BW-0916R.....	178	BW-1121MB.....	195
BW-1011R.....	196	BW-1121MFP.....	188
BW-108MNB.....	196	BW-1122M.....	192
BW-108PNB.....	196	BW-1122MB.....	195
BW-1106M.....	192	BW-1122MFP.....	188
BW-1106MB.....	195	BW-1124M.....	192
BW-1106MFP.....	188	BW-1124MB.....	195
BW-1107M.....	192	BW-1124MFP.....	188
BW-1107MB.....	195	BW-1125M.....	192
BW-1107MFP.....	188	BW-1125MB.....	195
BW-1108M.....	192	BW-1125MFP.....	188
BW-1108MB.....	195	BW-1126M.....	192
BW-1108MFP.....	188	BW-1126MB.....	195
BW-1109M.....	192	BW-1126MFP.....	188
BW-1109MB.....	195	BW-1127M.....	192
BW-1109MFP.....	188	BW-1127MB.....	195
BW-1110M.....	192	BW-1127MFP.....	188
BW-1110MB.....	195	BW-1128M.....	192
BW-1110MFP.....	188	BW-1128MB.....	195
BW-1111M.....	192	BW-1128MFP.....	188
BW-1111MB.....	195	BW-1130M.....	192
BW-1111MFP.....	188	BW-1130MB.....	195
BW-1112M.....	192	BW-1130MFP.....	188



BW-1132M.....	192	BW-1174	191
BW-1132MB.....	195	BW-1174B.....	194
BW-1132MFP.....	188	BW-1174FP.....	187
BW-1156	191	BW-1175	191
BW-1156B.....	194	BW-1175B.....	194
BW-1156FP.....	187	BW-1175FP.....	187
BW-1159	191	BW-1176	191
BW-1159B.....	194	BW-1176B.....	194
BW-1159FP.....	187	BW-1176FP.....	187
BW-1160	191	BW-1177	191
BW-1160B.....	194	BW-1177B.....	194
BW-1160FP.....	187	BW-1177FP.....	187
BW-1161	191	BW-11P.....	186
BW-1161B.....	194	BW-11PT.....	186
BW-1161FP.....	187	BW-1210	173
BW-1162	191	BW-1212	173
BW-1162B.....	194	BW-1213R.....	178
BW-1162FP.....	187	BW-1214	173
BW-1163	191	BW-1216	173
BW-1163B.....	194	BW-1218	173
BW-1163FP.....	187	BW-1220	173
BW-1164	191	BW-1222	173
BW-1164B.....	194	BW-1250	172
BW-1164FP.....	187	BW-1251	172
BW-1165	191	BW-1258	173
BW-1165B.....	194	BW-1259	173
BW-1165FP.....	187	BW-1260	173
BW-1166	191	BW-12605.....	173
BW-1166B.....	194	BW-1261	173
BW-1166FP.....	187	BW-1262	173
BW-1167	191	BW-1263	173
BW-1167A.....	191	BW-1264	173
BW-1167AB.....	194	BW-1265	173
BW-1167AFP.....	187	BW-1266	173
BW-1167B.....	194	BW-1267	173
BW-1167FP.....	187	BW-1268	173
BW-1168	191	BW-1306	177
BW-1168B.....	194	BW-1308	177
BW-1168FP.....	187	BW-1308M.....	177
BW-1170	191	BW-1309M.....	177
BW-1170B.....	194	BW-1310	177
BW-1170FP.....	187	BW-1310M.....	177
BW-1171	191	BW-1311M.....	177
BW-1171B.....	194	BW-1312	177
BW-1171FP.....	187	BW-1312M.....	177
BW-1172	191	BW-1313M.....	177
BW-1172B.....	194	BW-1314	177
BW-1172FP.....	187	BW-1314M.....	177
BW-1173	191	BW-1315M.....	177
BW-1173B.....	194	BW-1316	177
BW-1173FP.....	187	BW-1316M.....	177



BW-1317M.....	177	BW-1468	176
BW-1318	177	BW-1469	176
BW-1318M.....	177	BW-1471	176
BW-1319M.....	177	BW-1472	176
BW-1320	177	BW-1474	176
BW-1321M.....	177	BW-1477	176
BW-1322	177	BW-1480	176
BW-1322M.....	177	BW-1482	176
BW-1324	177	BW-1484	176
BW-1324M.....	177	BW-14MPT.....	186
BW-1326	177	BW-14PT.....	185
BW-1328	177	BW-1618R.....	178
BW-1330	177	BW-1719R.....	178
BW-1340M.....	183	BW-2206R.....	181
BW-1341	183	BW-2208R.....	181
BW-1342M.....	183	BW-2210R.....	181
BW-1343	183	BW-2212R.....	181
BW-1344M.....	183	BW-2214R.....	181
BW-1400	174	BW-2216R.....	181
BW-1401	175	BW-2218R.....	181
BW-1403	175	BW-2220R.....	181
BW-1405	175	BW-2222R.....	181
BW-1408	174	BW-2250R.....	180
BW-1410	175	BW-2251R.....	180
BW-1412	175	BW-2260R.....	181
BW-1414	175	BW-2261R.....	181
BW-1415R.....	178	BW-2262R.....	181
BW-1416	175	BW-2263R.....	181
BW-1418	175	BW-2264R.....	181
BW-1420	175	BW-2265R.....	181
BW-1422	175	BW-2266R.....	181
BW-1424	175	BW-2267R.....	181
BW-1426	175	BW-2268R.....	181
BW-1428	175	BW-2269R.....	181
BW-1430	175	BW-2276R.....	181
BW-1432	175	BW-2278R.....	181
BW-1434	175	BW-2279R.....	181
BW-1436	175	BW-3209L.....	179
BW-1438	175	BW-3210L.....	179
BW-1450	174	BW-3212L.....	179
BW-1451	175	BW-3214L.....	179
BW-1458	176	BW-3216L.....	179
BW-1459	176	BW-3218L.....	179
BW-1460	176	BW-3220L.....	179
BW-1461	176	BW-3222L.....	179
BW-1462	176	BW-3250L.....	179
BW-1463	176	BW-3251L.....	179
BW-1464	176	BW-3258L.....	180
BW-1465	176	BW-3259L.....	180
BW-1466	176	BW-3260AL.....	180
BW-1467	176	BW-3260L.....	180



BW-3261L.....	180	CT-1509.....	248
BW-3262L.....	180	CT-1554.....	247
BW-3263L.....	180	CT-1556.....	247
BW-3264L.....	180	CT-1558.....	247
BW-3265L.....	180	CT-1606.....	248
BW-3266L.....	180	CT-1610.....	248
BW-3267L.....	180	CT-1617.....	248
BW-3268L.....	180	CT-1620.....	248
BW-3330R.....	178	CT-205.....	245
BW-3332R.....	178	DT-2601.....	253
BW-6PTNB.....	198	DT-2602.....	253
BW-9718NB.....	185	DT-2603.....	253
BWE-1011MP.....	196	DT-2604.....	253
BWE-1213MP.....	196	DT-2605.....	253
BWE-1415MP.....	196	DT-55.....	253
BWE-1617MP.....	196	ET-1071A.....	250
BWE-1819MP.....	196	ET-1207.....	250
BWE-2022MP.....	196	ET-1328A.....	250
BWE-67MP.....	196	ET-1710.....	250
BWE-89MP.....	196	EW-40NB.....	197
BWO-1220.....	184	FN-1012MP.....	199
BWO-1220M.....	184	FN-1314MP.....	199
BWS-1202P.....	198	FN-1402P.....	199
BWS-1206P.....	198	FN-1404P.....	199
BWS-1210P.....	198	FN-1406P.....	199
BWS-1211P.....	198	FN-1410P.....	199
BWS-1214P.....	198	FN-1517MP.....	199
BWS-1216P.....	198	FN-1921MP.....	199
BWS-1218P.....	198	FN-4MNB.....	198
CT-1003.....	246	FN-4PTNB.....	198
CT-1004.....	246	FN-8PTNB.....	199
CT-1006.....	246	FN-911MP.....	199
CT-1008.....	246	FT-1103.....	255
CT-1010.....	246	FT-1124.....	255
CT-105.....	245	FT-1202.....	255
CT-1108.....	246	FT-1204.....	255
CT-1110.....	246	GW-1208.....	131
CT-114.....	245	GW-1210.....	131
CT-1156.....	246	GW-1212.....	131
CT-1204.....	246	GW-1406.....	132
CT-1254.....	246	GW-1407.....	132
CT-1303.....	247	GW-1408.....	132
CT-1304.....	247	GW-1409.....	132
CT-1306.....	247	GW-1410.....	132
CT-1314.....	247	GW-1411.....	132
CT-1404.....	247	GW-1412.....	132
CT-1453.....	247	GW-1414.....	132
CT-1454.....	247	GW-1416.....	132
CT-1456.....	247	GW-1506.....	130
CT-1464.....	247	GW-1507.....	130
CT-1466.....	247	GW-1508.....	130



GW-1509.....	130	GW-610M.....	130
GW-1510.....	130	GW-611M.....	130
GW-1511.....	130	GW-612M.....	130
GW-1512.....	130	GW-613M.....	130
GW-1514.....	130	GW-645M.....	130
GW-1516.....	130	GW-655M.....	130
GW-1605.....	130	GW-705M.....	132
GW-1605M.....	132	GW-706M.....	132
GW-1606.....	130	GW-707M.....	132
GW-1606M.....	132	GW-708M.....	132
GW-1607.....	130	GW-709M.....	132
GW-1607M.....	132	GW-710M.....	132
GW-1608.....	130	GW-711M.....	132
GW-1608M.....	132	GW-712M.....	132
GW-1609.....	130	GW-713M.....	132
GW-1609M.....	132	GW-755M.....	132
GW-1610.....	130	GW-9545.....	123 & 128
GW-1610M.....	132	GW-9578A.....	124 & 129
GW-1611.....	130	GW-9749B.....	123 & 128
GW-1611M.....	132	GW-9898.....	124 & 128
GW-1612.....	130	GW-9898L.....	123 & 128
GW-1612M.....	132	GW-9899.....	124 & 128
GW-1613M.....	132	GW-9899L.....	123 & 128
GW-1614.....	130	GW-9935B.....	122 & 128
GW-1616.....	130	GW-9945BR.....	128
GW-1705.....	131	GW-9946R.....	122 & 128
GW-1706.....	131	HLB-9403M-2.....	154
GW-1707.....	131	HLB-9404M-2.....	154
GW-1708.....	131	HLB-9405M-2.....	154
GW-1709.....	131	HLB-9406M-2.....	154
GW-1710.....	131	HLB-9407M-2.....	154
GW-1711.....	131	HLB-9407S.....	144
GW-1712.....	131	HLB-9408M-2.....	154
GW-1714.....	131	HLB-9408MS.....	154
GW-1716.....	131	HLB-9409M-2.....	154
GW-504M.....	131	HLB-9410M-2.....	154
GW-505M.....	131	HLB-9418-2.....	153
GW-506M.....	131	HLB-9419-2.....	153
GW-507M.....	131	HLB-9420-2.....	153
GW-508M.....	131	HLB-9421-2.....	153
GW-509M.....	131	HLB-9422-2.....	153
GW-510M.....	131	HLB-9423-2.....	153
GW-511M.....	131	HLB-9424-2.....	153
GW-512M.....	131	HT-1005-1.....	244
GW-513M.....	131	HT-1007-1.....	244
GW-604M.....	130	HT-1008-1.....	244
GW-605M.....	130	HT-1255.....	244
GW-606M.....	130	HT-1452-1.....	244
GW-607M.....	130	HT-1452T.....	244
GW-608M.....	130	HT-1453-1.....	244
GW-609M.....	130	HW-1507M.....	150



HW-1508M.....	150	HW-9412S.....	143
HW-1509M.....	150	HW-9438-2.....	153
HW-1510.....	150	HW-9439-2.....	153
HW-1510M.....	150	HW-9440-2.....	153
HW-1511M.....	150	HW-9441-2.....	153
HW-1512.....	150	HW-9442-2.....	153
HW-1512M.....	150	HW-9443-2.....	153
HW-1513M.....	150	HW-9444-2.....	153
HW-1514.....	150	HW-9445-2.....	153
HW-1514M.....	150	HW-9446-2.....	153
HW-1515M.....	150	HW-9447-2.....	153
HW-1516.....	150	HW-9448-2.....	153
HW-1517M.....	150	HW-9449-2.....	153
HW-1518.....	150	HW-9450-2.....	154
HW-1518M.....	150	HW-9451-2.....	154
HW-1519M.....	150	HW-9452-2.....	154
HW-1520.....	150	HW-9453-2.....	154
HW-1520S.....	147	HW-9504-2.....	154
HW-1522.....	150	HW-9505-2.....	154
HW-1524.....	150	HW-9506-2.....	154
HW-1526.....	150	HW-9507MS.....	160
HW-1526S.....	147	HW-9507S.....	144
HW-1528.....	150	HW-9606-2.....	167
HW-1530.....	150	HW-9606M-2.....	167
HW-1532.....	150	HW-9607-2.....	167
HW-1607M.....	152	HW-9607S.....	167
HW-1608M.....	152	HW-9608-2.....	167
HW-1609M.....	152	HW-9608M-2.....	167
HW-1610M.....	152	HW-9609-2.....	167
HW-1611M.....	152	HW-9610-2.....	167
HW-1612M.....	152	HW-9610M-2.....	167
HW-1613M.....	152	HW-9611-2.....	167
HW-1614M.....	152	HW-9612-2.....	167
HW-1615M.....	152	HW-9612M-2.....	167
HW-1616M.....	152	HW-9614M-2.....	167
HW-1617M.....	152	HW-9617M-2.....	167
HW-1618M.....	152	HW-9619M-2.....	167
HW-1619M.....	152	MF-006.....	190
HW-94025M-2.....	153	MF-008.....	190
HW-9402M-2.....	153	MF-008M.....	190
HW-9403M-2.....	153	MF-011.....	189
HW-9404M-2.....	153	MF-011M.....	189
HW-9405M-2.....	153	MF-014.....	189
HW-9406M-2.....	153	MF-017.....	188
HW-9407M-2.....	153	MF-017M.....	189
HW-9408M-2.....	153	MT-1021A.....	251
HW-9409M-2.....	153	MT-1022.....	252
HW-9410M-2.....	153	MT-1040-1.....	251
HW-9411M-2.....	153	MT-1041.....	251
HW-9412M-2.....	153	MT-1043.....	251
HW-9412MS.....	153	MT-1049.....	252



PT-1002XS.....	236	ST-1185.....	226
PT-1003-2.....	236	ST-11T.....	224
PT-1003PS.....	235	ST-12010SB.....	224
PT-1003S.....	234	ST-1250.....	253
PT-1006S.....	235	ST-22CS.....	222
PT-1007S.....	234	ST-252C.....	224
PT-1050-2.....	236	ST-303S.....	224
PT-1052-2.....	237	ST-353C.....	224
PT-1057-2.....	237	ST-404S.....	224
PT-1105-2.....	241	ST-555C.....	224
PT-1105S.....	240	ST-555S.....	224
PT-1106L.....	241	ST-5C.....	223
PT-1107-2.....	241	ST-655S.....	224
PT-1107S.....	241	ST-656C.....	224
PT-1108-2.....	238	ST-656SB.....	224
PT-1110-2.....	241	ST-65SH.....	226
PT-1128-2.....	237	ST-6PZ.....	223
PT-1129-2.....	237	ST-7TT.....	224
PT-1130-2.....	237	ST-800.....	227
PT-1149-2.....	237	ST-801.....	227
PT-1150-2.....	237	ST-803.....	227
PT-1153-2.....	237	ST-806.....	227
PT-1154-2.....	237	ST-807S.....	224
PT-1178.....	239	ST-809.....	227
PT-1203S.....	240	ST-812.....	227
PT-1206L.....	241	ST-815.....	227
PT-1207.....	241	ST-818.....	227
PT-1210.....	241	ST-828.....	227
PT-1248-2.....	236	ST-829M.....	227
PT-1250-2.....	236	ST-904M.....	227
PT-1251.....	239	ST-905M.....	227
PT-1257-2.....	238	ST-907M.....	227
PT-1258-2.....	238	ST-908M.....	227
PT-1259.....	239	ST-909M.....	227
PT-1262.....	252	ST-910M.....	227
PT-1263-2.....	236	ST-911M.....	227
PT-1266.....	242	ST-912M.....	227
PT-1280-1.....	238	ST-955M.....	227
PT-1285.....	242	ST-9CS.....	222
PT-1286.....	242	ST-9PH.....	223
PT-1287.....	242	ST-9S.....	223
PT-1288.....	242	ST-BD1.....	226
PT-1300S.....	235	ST-PH00-2.....	225
PT-1320.....	238	ST-PH0-3.....	225
ST-1008SB.....	224	ST-PH1-4.....	225
ST-1166.....	226	ST-PH1-SH.....	226
ST-1167.....	226	ST-PH2-5.....	225
ST-1168.....	226	ST-PH2-5B.....	225
ST-1171.....	226	ST-PH2-SH.....	226
ST-1183.....	226	ST-PH3-6B.....	225
ST-1184.....	226	ST-PH4-8B.....	225



ST-PZ0-3	225	TS-2206-2	203
ST-PZ1-4	225	TS-2207-2	203
ST-PZ2-5	225	TS-2208-2	203
ST-PZ2-5B	225	TS-2308-2	209
ST-PZ3-6B	225	TS-2310-2	209
ST-PZ4-8B	225	TS-2312-2	209
ST-SS1	226	TS-2314-2	209
ST-T10-3	225	TS-2316-2	209
ST-T15-3	225	TS-2418-2	215
ST-T20-4	225	U-1507M-2	207
ST-T25-4	225	U-1508-2	207
ST-T27-4	225	U-1508M-2	207
ST-T30-5	225	U-1509M-2	207
ST-T40-5	225	U-1510-2	207
ST-T6-2	225	U-1510M-2	207
ST-T7-2	225	U-1511M-2	207
ST-T8-2	225	U-1512-2	207
ST-T9-3	225	U-1512DS	206
ST-TT10-3	225	U-1512M-2	207
ST-TT15-3	225	U-1513M-2	207
ST-TT20-4	225	U-1513MS	206
ST-TT25-4	225	U-1513S	205
ST-TT27-4	225	U-1514-2	207
ST-TT30-5	225	U-1514M-2	207
ST-TT40-5	225	U-1515M-2	207
TR-3210-2	204	U-1516-2	207
TR-3215-2	204	U-1516M-2	207
TR-3220-2	204	U-1517M-2	207
TR-3225-2	204	U-1518-2	207
TR-3227-2	204	U-1518M-2	207
TR-3230-2	204	U-1519M-2	207
TR-3340-2	209	U-1520-2	207
TR-3345-2	209	U-1522-2	207
TR-3350-2	209	U-1524-2	207
TS-1209-2	204	U-1526-2	207
TS-1210-2	204	U-1528-2	207
TS-1210S	203	U-1530-2	207
TS-1213S	203	U-1532-2	207
TS-1215-2	204	U-1607M-2	208
TS-1220-2	204	U-1608M-2	208
TS-1225-2	204	U-1609M-2	208
TS-1227-2	204	U-1610-2	208
TS-1230-2	204	U-1610M-2	208
TS-1340-2	209	U-1611M-2	208
TS-1345-2	209	U-1612-2	208
TS-1347-2	209	U-1612M-2	208
TS-1350-2	209	U-1613M-2	208
TS-1355-2	209	U-1613MS	206
TS-1460-2	215	U-1614-2	208
TS-2204-2	203	U-1614M-2	208
TS-2205-2	203	U-1615M-2	208



U-1616-2.....	208	UH-3810.....	208
U-1616M-2.....	208	UH-3810M.....	209
U-1617M-2.....	208	UH-3812.....	208
U-1618-2.....	208	UH-3812M.....	209
U-1618M-2.....	208	UH-3814.....	208
U-1619M-2.....	208	UH-3814M.....	209
U-1620-2.....	208	UH-3816.....	208
U-1622-2.....	208	UH-3816CS.....	207
U-1624-2.....	208	UH-3817M.....	209
U-1626-2.....	208	UH-3818.....	208
U-1627CDS.....	204	UH-3819M.....	209
U-1628-2.....	208	UW-1500-2.....	216
U-1630-2.....	208	UW-1505-2.....	217
U-1632-2.....	208	UW-1512-2.....	214
UH-1204.....	215	UW-1514-2.....	214
UH-1206.....	215	UW-1514DS.....	211
UH-1206M.....	215	UW-1516-2.....	214
UH-1207M.....	215	UW-1518-2.....	214
UH-1208.....	215	UW-1520-2.....	214
UH-1208M.....	215	UW-1522-2.....	214
UH-1210.....	215	UW-1524-2.....	214
UH-1210M.....	215	UW-1526-2.....	214
UH-1212.....	215	UW-1528-2.....	214
UH-1212M.....	215	UW-1530-2.....	214
UH-1214.....	215	UW-1532-2.....	214
UH-1214M.....	215	UW-1534-2.....	214
UH-1216.....	215	UW-1536-2.....	214
UH-1216CS.....	212	UW-1538-2.....	214
UH-1217M.....	215	UW-1612-2.....	213
UH-1218.....	215	UW-1614-2.....	213
UH-1219M.....	215	UW-1615S.....	211
UH-3406MS.....	217	UW-1616-2.....	213
UH-3406S.....	217	UW-1618-2.....	213
UH-3412.....	220	UW-1620-2.....	213
UH-3412M.....	220	UW-1622-2.....	213
UH-3414M.....	220	UW-1624-2.....	213
UH-3417M.....	220	UW-1626-2.....	213
UH-3418.....	220	UW-1628-2.....	213
UH-3419M.....	220	UW-1630-2.....	213
UH-3422.....	220	UW-1632-2.....	213
UH-3422M.....	220	UW-1634-2.....	213
UH-3424M.....	220	UW-1636-2.....	213
UH-3426.....	220	UW-1638-2.....	213
UH-3430.....	220	UW-1640-2.....	213
UH-3434.....	220	UW-20-2.....	210
UH-3804.....	208	UW-21-2.....	210
UH-3806.....	208	UW-22-2.....	210
UH-3806M.....	209	UW-23-2.....	210
UH-3807M.....	209	UW-2414S.....	218
UH-3808.....	208	UW-24-2.....	216
UH-3808M.....	209	UW-2424-2.....	219



UW-2426-2.....	219	UW-521M-2.....	214
UW-2428-2.....	219	UW-522M-2.....	214
UW-2430-2.....	219	UW-524M-2.....	214
UW-2432-2.....	219	UW-526M-2.....	214
UW-2434-2.....	219	UW-527M-2.....	214
UW-2436-2.....	219	UW-533CDS.....	210
UW-2438-2.....	219	UW-610M-2.....	213
UW-2440-2.....	219	UW-611M-2.....	213
UW-2442-2.....	219	UW-612M-2.....	213
UW-2444-2.....	219	UW-613M-2.....	213
UW-2446-2.....	219	UW-614M-2.....	213
UW-2448-2.....	219	UW-615M-2.....	213
UW-2452-2.....	219	UW-616M-2.....	213
UW-25-2.....	216	UW-616MS.....	212
UW-2614DS.....	218	UW-617M-2.....	213
UW-2624-2.....	219	UW-618M-2.....	213
UW-2626-2.....	219	UW-619M-2.....	213
UW-2628-2.....	219	UW-620M-2.....	213
UW-2630-2.....	219	UW-621M-2.....	213
UW-2632-2.....	219	UW-622M-2.....	213
UW-2634-2.....	219	UW-624M-2.....	213
UW-2636-2.....	219	UW-626M-2.....	213
UW-2638-2.....	219	UW-627M-2.....	213
UW-2640-2.....	219	UWP-1460-2.....	220
UW-2642-2.....	219	UWP-430M-2.....	216
UW-2644-2.....	219	UWP-436M-2.....	216
UW-2646-2.....	219	UWP-660-2.....	220
UW-2648-2.....	219	ZT-1102.....	254
UW-2652-2.....	219	ZT-1111.....	254
UW-30-2.....	216	ZT-1112.....	254
UW-510M-2.....	214	ZT-1125.....	253
UW-511M-2.....	214	ZT-1180.....	252
UW-512M-2.....	214	ZT-1193.....	252
UW-513M-2.....	214	ZT-1197.....	235
UW-514M-2.....	214	ZT-1300.....	254
UW-515M-2.....	214	ZT-1301.....	254
UW-516M-2.....	214	ZT-1310.....	254
UW-516MDS.....	212	ZT-1312.....	254
UW-517M-2.....	214	ZW-1045A-A.....	272
UW-518M-2.....	214	ZW-53.....	228
UW-519M-2.....	214	ZW-59.....	228
UW-520M-2.....	214	ZW-69.....	228





WARRANTY AND DISCLAIMER

Limited Lifetime Warranty:

Except as specified below, Proto® Industrial Tools, a business unit of Stanley Black & Decker, Inc. ("Proto®") warrants any of its Proto® branded products, including products sold by the Proto® Industrial Tools that are marketed as products "by Proto®," for the useful life of the product against defects in material or workmanship.

Torque Wrenches, Torque Multipliers and Torque Testers are warranted for one year, except for calibration which is warranted for 90 days from date of purchase. Torque products can be repaired and recalibrated for a nominal charge at the Proto® Authorized repair center located at 2195 East View Parkway, Ste 103, Conyers, GA, 30013 or any other such location as may be designated by Proto®. Defects in material or workmanship will be repaired or replaced at no cost: all other repairs will be at a nominal charge. Torque products are precise measuring devices that require care in handling. Proto® recommends that all torque wrenches be recalibrated once a year or more, depending on usage.

Disclaimers and Limitations:

This limited lifetime warranty:

- Is subject to the disclaimers and limitations described below and is in lieu of all other warranties, express or implied, including the implied warranty of merchantability or fitness for a particular purpose.
- Gives you specific legal rights. You may also have other rights that vary by state.
- Does not extend to products that have been improperly used, altered, or repaired by any entity other than Proto®.
- Does not cover the following categories of products: universal sockets, universal joints, thin-wall impact sockets, adapters, and retaining rings.
- Does not cover damage due to ordinary wear and tear.
- Does not extend to any claim for incidental, consequential, or special damages. Some states do not allow the exclusion of limitation of incidental or consequential damages, so this exclusion may not apply to you.
- Proto® makes no representations beyond those contained in this Limited Lifetime Warranty.
- Employees and agents of Proto® have no authority to make representations of any sort beyond those contained in this Limited Lifetime Warranty.

Exclusive Remedy and Claim Procedure:

- Distributors of record must act as a return agent.
- The exclusive remedy under this Limited Lifetime Warranty for products determined to be deficient in materials or workmanship by Proto® is repair or replacement with a reconditioned tool of equal value by Proto®.
- The selected remedy is at the sole discretion of Proto®. In no event shall Proto® be responsible for more than the original purchase price of the product.

Questions:

To ask questions about, or to make a claim under, this Limited Lifetime Warranty, contact your Proto® Territory Manager.

11/10

Products in this catalog may not be available in all countries.

Blackhawk™ by Proto® tools meet applicable industry standards.

Blackhawk™ by Proto® reserves the right to claim exceptions to specific requirements within any given standard.

©2011 Stanley Black & Decker, Inc.
2195 East View Parkway, Suite 103, Conyers, GA 30013
1-800-800-TOOL
www.stanleyproto.com

Blackhawk[™]
BY **PROTO**[®]